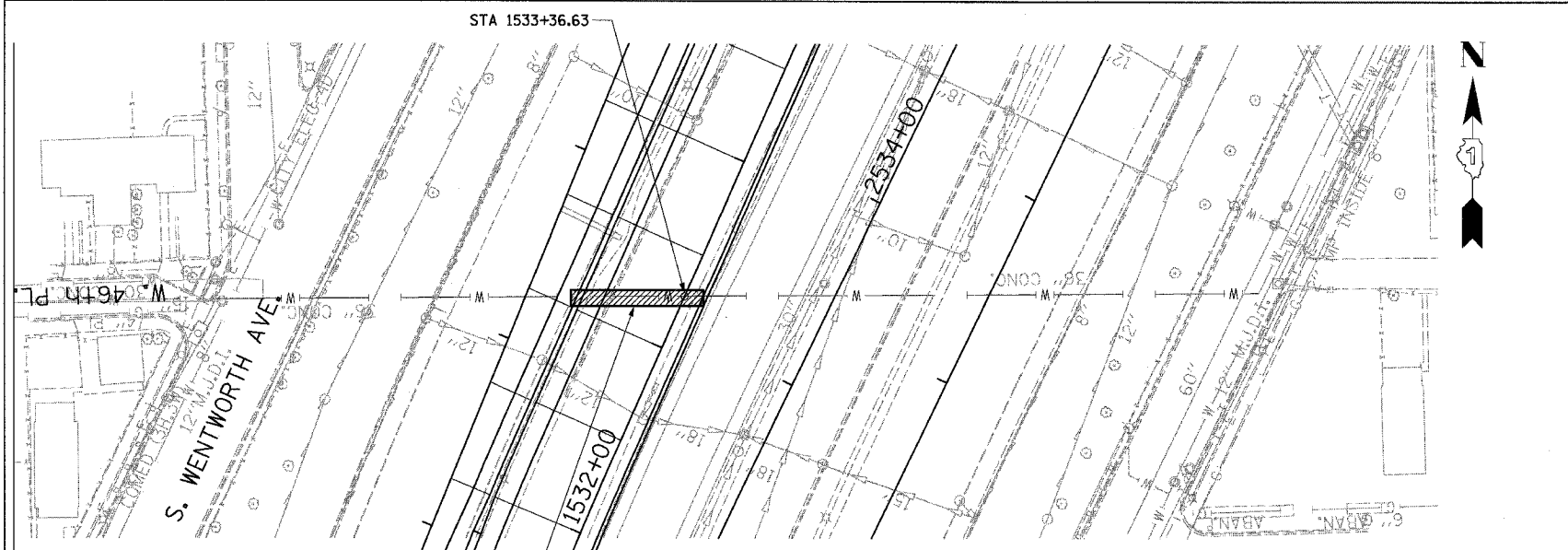


F.A.I.	SECTION	COUNTY	TOTAL SHEETS	SHEET NO.
94/90	*	COOK	598	390
STA.	TO STA.			
FED. ROAD DIST. NO.	ILLINOIS FED. AID PROJECT			
62302	*1818, ETC, 2324.6-1PIR-9			



36" PIPE COVER
SEE PLAN DETAIL 'A'

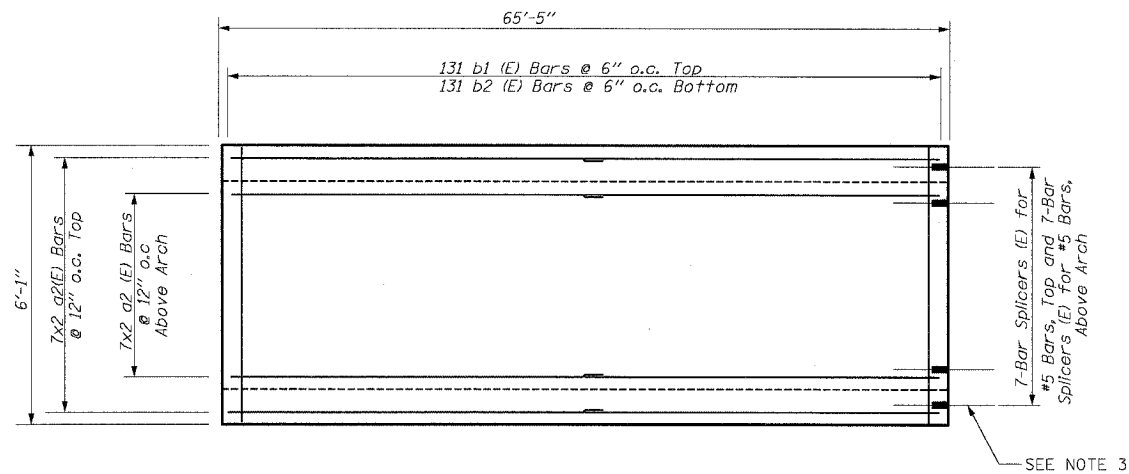
TOPOGRAPHIC PLAN

BILL OF MATERIAL

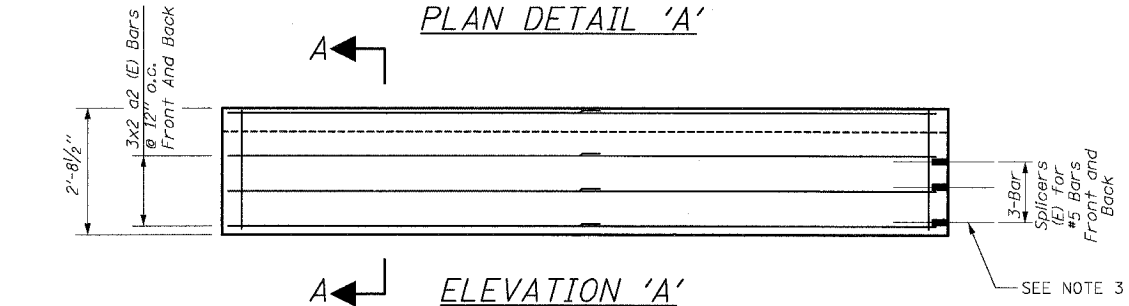
Bar	No.	Size	Length	Shape
a2(E)	40	#5	33'-8"	—
b1(E)	131	#5	10'-4"	□
b2(E)	131	#5	10'-3"	⤴
Reinforcement Bars, Epoxy Coated		Pounds	4,220	
Bar Splicers		Each	20	
Concrete Structures		Cu. Yd.	24.0	

NOTES:

- THE 2" POLYSTYRENE INSULATION SHALL BE INCLUDED IN THE COST OF 36" WATER MAIN PROTECTION CAP CONSTRUCTION. THE ESTIMATED QUANTITY IS 420 SQ. FT.
- ADDITIONAL GRANULAR SUB-BASE REQUIRED AS SHOWN IN SECTION A-A OR AS DIRECTED BY ENGINEER WILL BE INCLUDED IN THE COST OF SUB-BASE GRANULAR MATERIAL, TYPE B 24".
- CONTRACTOR SHALL PROVIDE BAR SPLICERS AS SHOWN. INSTALL STAGE I PORTION AND PROVIDE STAGE II PORTION TO THE ENGINEER. PLUG THREADED COUPLER WITH PLASTIC NIPPLE OR H.S. BOLT FOR PROTECTION. COST INCLUDED WITH "BAR SPLICERS".



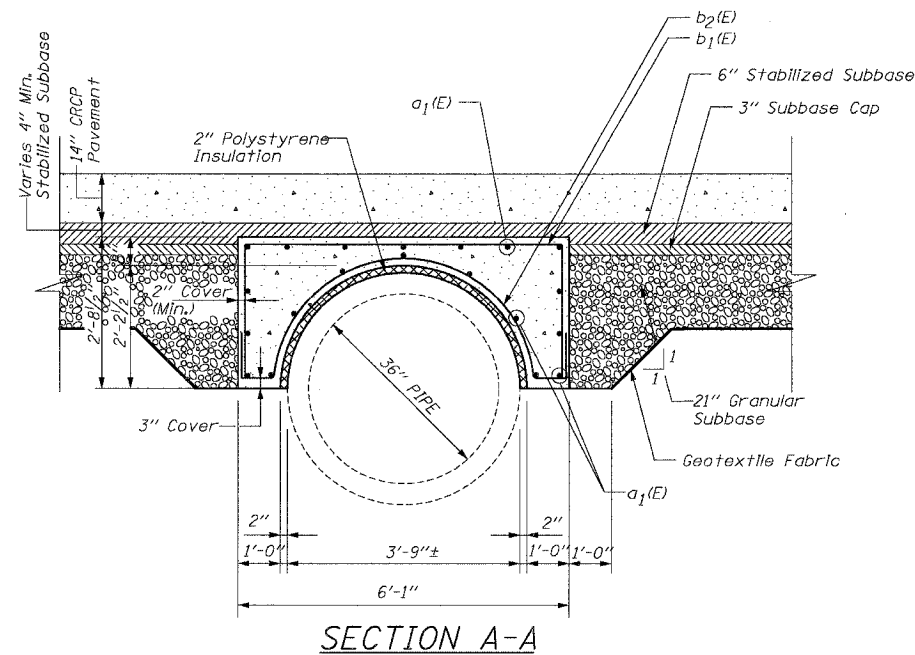
PLAN DETAIL 'A'



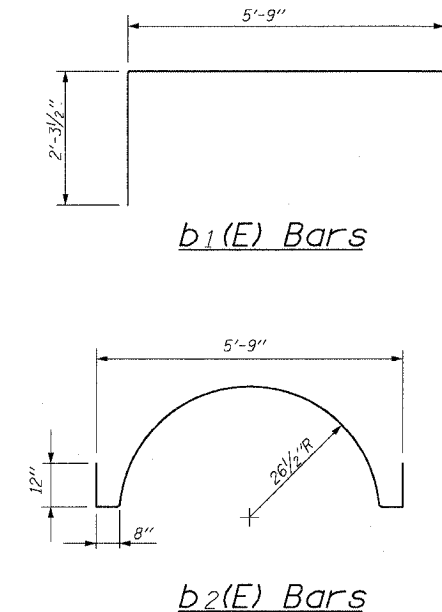
ELEVATION 'A'

NOTES:

- All bars designated (E) must be epoxy coated.
- All bars must be #5 bars with a minimum overlap of 2'-2".



SECTION A-A



b1(E) Bars

b2(E) Bars

BOWMAN, BARRETT & ASSOCIATES INC.
CONSULTING ENGINEERS
Chicago, Illinois
312 228 0100
www.bbainc.com

REVISIONS	
NAME	DATE
ADDENDUM 1	8/12/05

ILLINOIS DEPARTMENT OF TRANSPORTATION
F.A.I. 94/90 (DAN RYAN EXPRESSWAY)
31ST STREET TO 71ST STREET
SB EXPRESS LANE RECONSTRUCTION
CIVIL DETAILS - 46TH ST CROSSING
36" WATER MAIN PROTECTION CAP
SCALE: =NTS
DATE: 07/07/05
DRAWN BY: EGH
CHECKED BY: CBB

CDT-3

8-35209 AM 8/11/2005