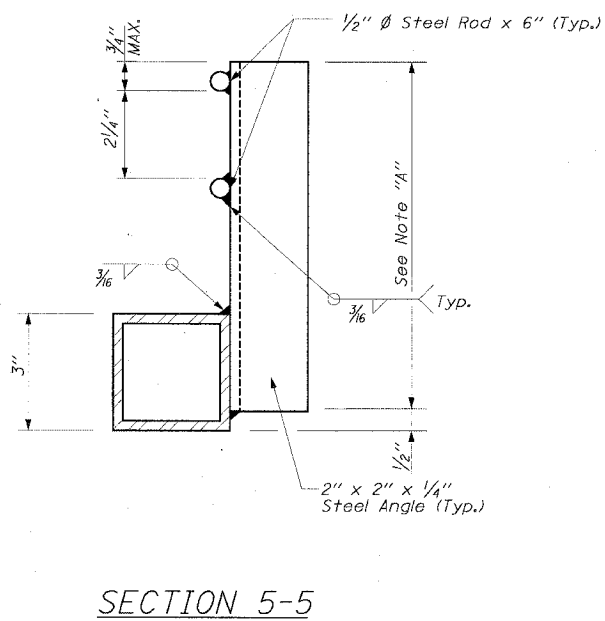
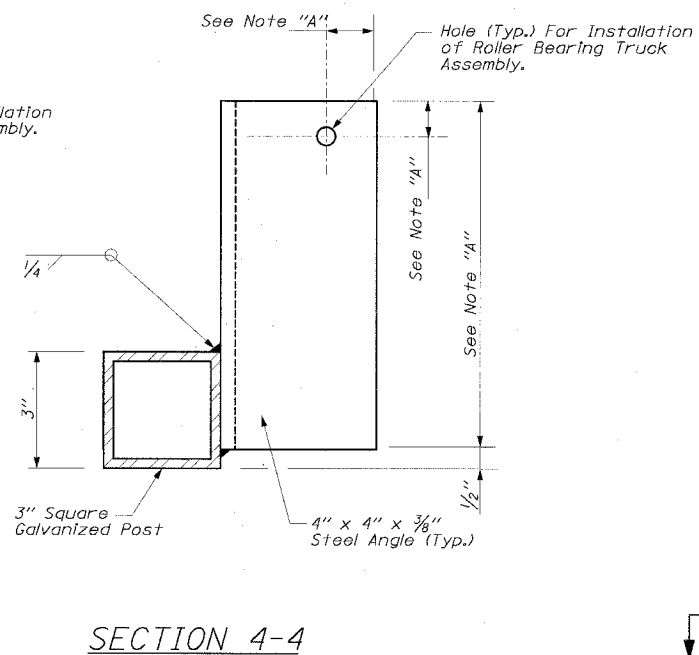
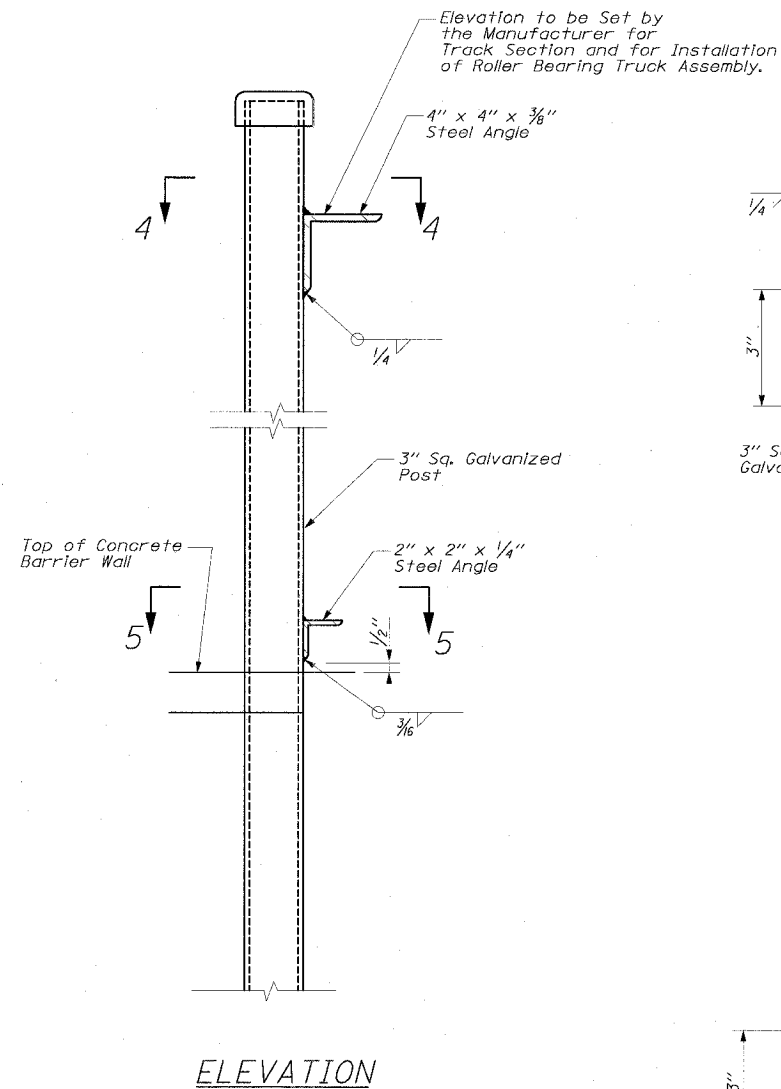
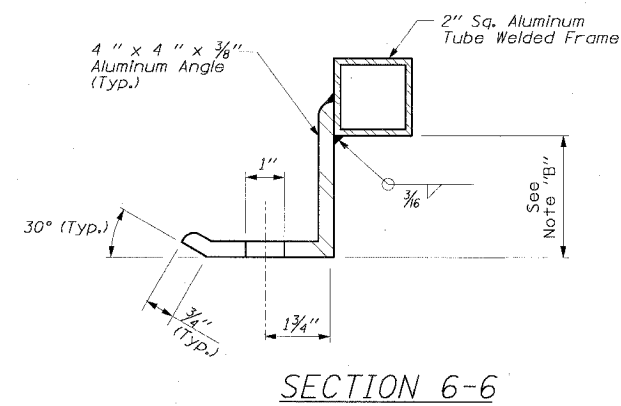
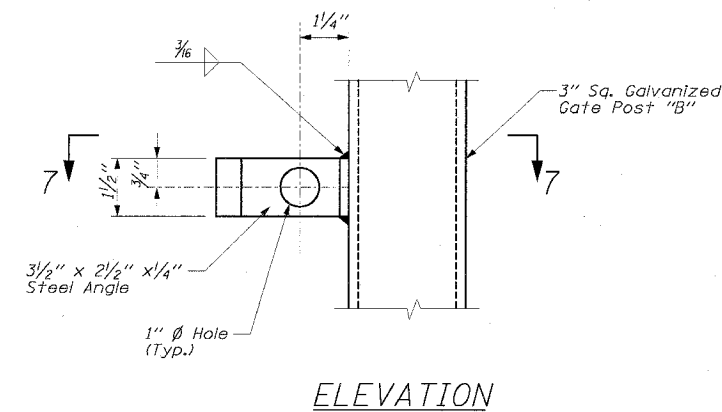
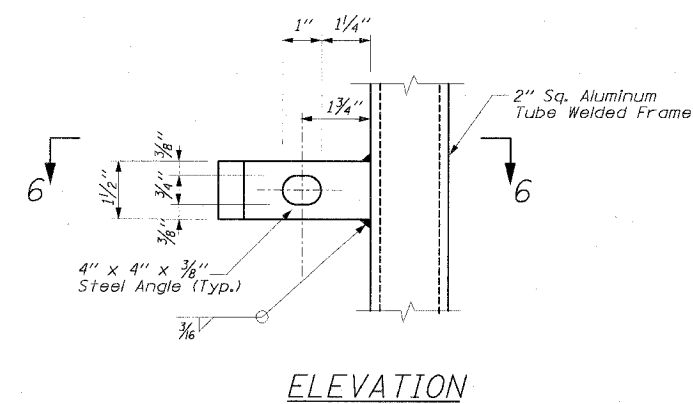
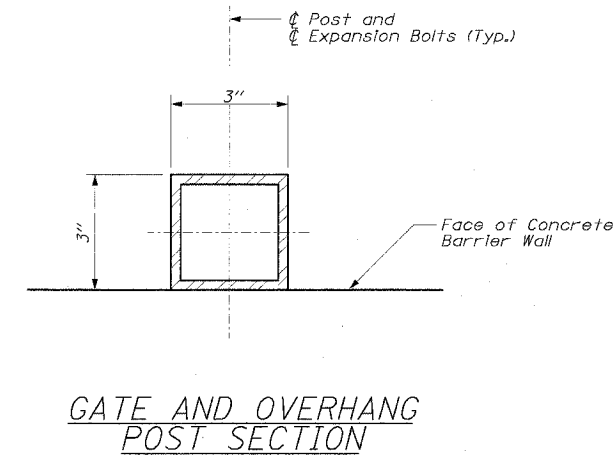
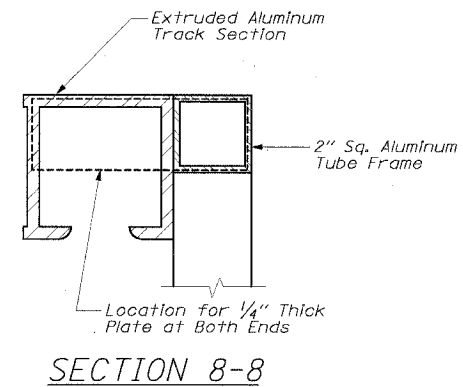


F.A.I. RTE.	SECTION	COUNTY	TOTAL SHEETS	SHEET NO.
94/90		COOK	598	399
STA.	TO STA.			
FED. ROAD DIST. NO.	ILLINOIS FED. AID PROJECT			
62302	• (1818, ETC, 2324.6-1P)R-9			

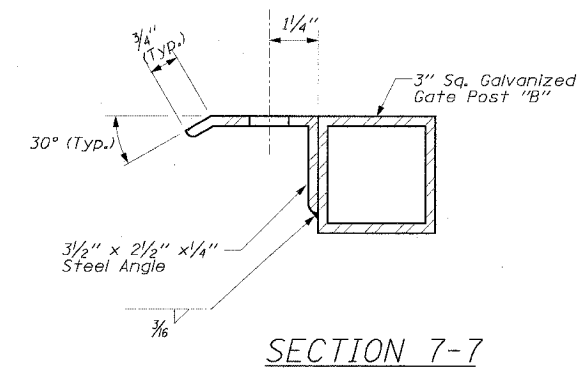


DETAIL A
 For Overhang Post - As Shown
 For Gate Post "A" - Opposite Hand

NOTE:
 "A": The Manufacturer of the Sliding Gate Shall Determine the Length of Angles and Location of Hole for Installation of Roller Bearing Truck Assembly.



DETAIL B
NOTE:
 "B": The Manufacturer of the Sliding Gate Shall Set the Angle Based on the Size of the Track Frame



DETAIL C

GENERAL NOTE:

The Slide Gates Shall be of the Cantilevered Type with NO Track or Support Across the Opening.

Edwards AND Kelcey
 ONE NORTH FRANKLIN CHICAGO, IL 60606
 PHONE: (312) 251-3000
 FAX: (312) 251-3015
 WEB: WWW.EKCORP.COM

REVISIONS	
NAME	DATE

ILLINOIS DEPARTMENT OF TRANSPORTATION
 F.A.I. 94/90 (DAN RYAN EXPRESSWAY)
 31ST STREET TO 71ST STREET
 SB EXPRESS LANE RECONSTRUCTION
 CTA FENCE
 ELEVATIONS AND DETAILS
 SHEET 3 OF 3
 SCALE: NONE
 DATE: 7/1/05
 DRAWN BY: RLK
 CHECKED BY: EL

CDT-12
 06/24/2005 12:22:52 PM