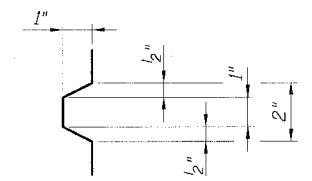
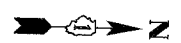
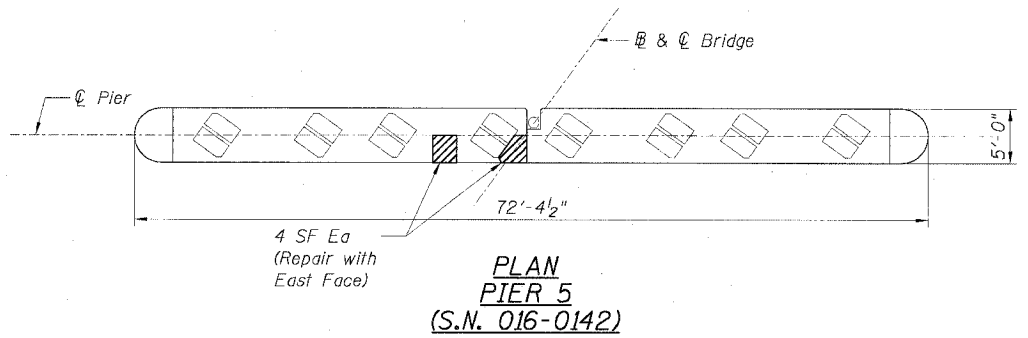
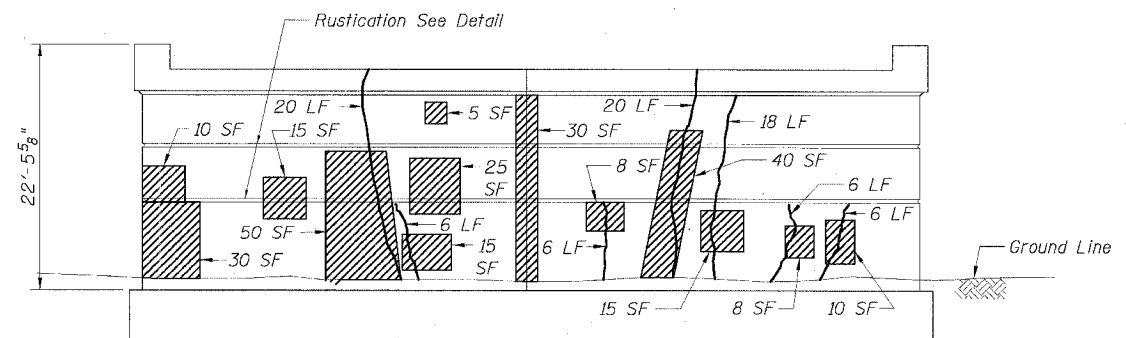


STATE OF ILLINOIS
DEPARTMENT OF TRANSPORTATION

F.A.I. RTE.	SECTION	COUNTY	TOTAL SHEETS	SHEET NO.
90/94		COOK	598	452
STA.		TO STA.		
FED. ROAD DIST. NO. 1		ILLINOIS FED. AID PROJECT		
1818, ETC, 2324.6-1PR-9		62302		



DETAIL OF
RUSTICATION



LEGEND

- Formed Concrete Repair (Depth Equal to or Less Than 5")
- Formed Concrete Repair (Depth Greater Than 5")
- Epoxy Crack Sealing

BILL OF MATERIAL		
Item	Unit	Quantity
		Pier 5 East Face
Formed Concrete Repair (Depth Equal to or Less Than 5")	Sq Ft	269
Formed Concrete Repair (Depth Greater Than 5")	Sq Ft	
Epoxy Crack Sealing	LF	82

REVISIONS	
NAME	DATE

ILLINOIS DEPARTMENT OF TRANSPORTATION
F.A.I. 90/94 (DAN RYAN EXPRESSWAY)
**PIER 5 - PLAN AND ELEVATION
SUBSTRUCTURE REPAIRS
CONRAIL BRIDGE (SN 016-0142)
COOK COUNTY**

SCALE: None
DATE: JULY 7, 2005

DRAWN BY: CHD
CHECKED BY: MJP

CTE | AECOM
CTE
301 East Wacker Drive, Suite 400, Chicago, Illinois 60601-2745
T 312.538.0100 F 312.538.1100 www.cte.com

P:\V\0468\STRUCTURE\B&K_DWG\SN016-0142_Pier5\Drawings\PIER5.PLT 02/22/05 02:22:17 PM