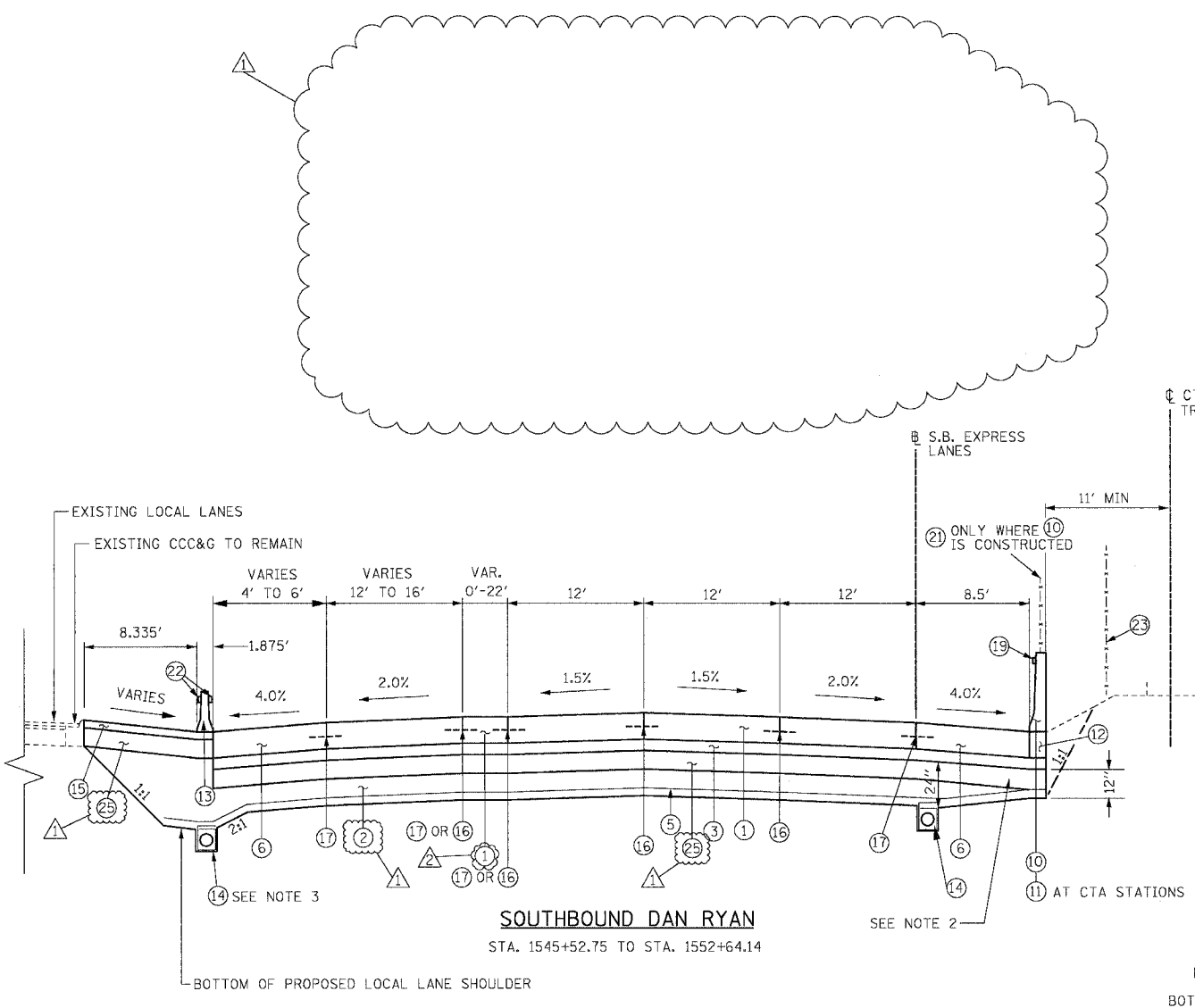
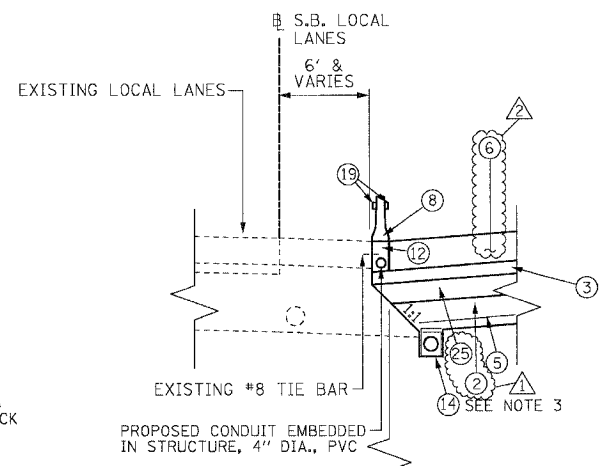


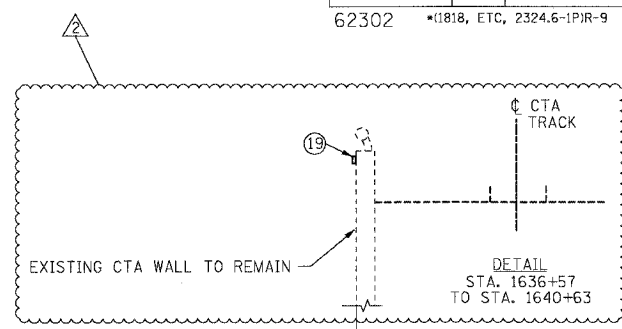
F.A.I.	SECTION	COUNTY	TOTAL SHEETS	SHEET NO.
94/90	*	COOK	598	17
STA.	TO STA.			
FED. ROAD DIST. NO.	ILLINOIS	FED. AID PROJECT		
62302	*1818, ETC.	2324.6-1P1R-9		



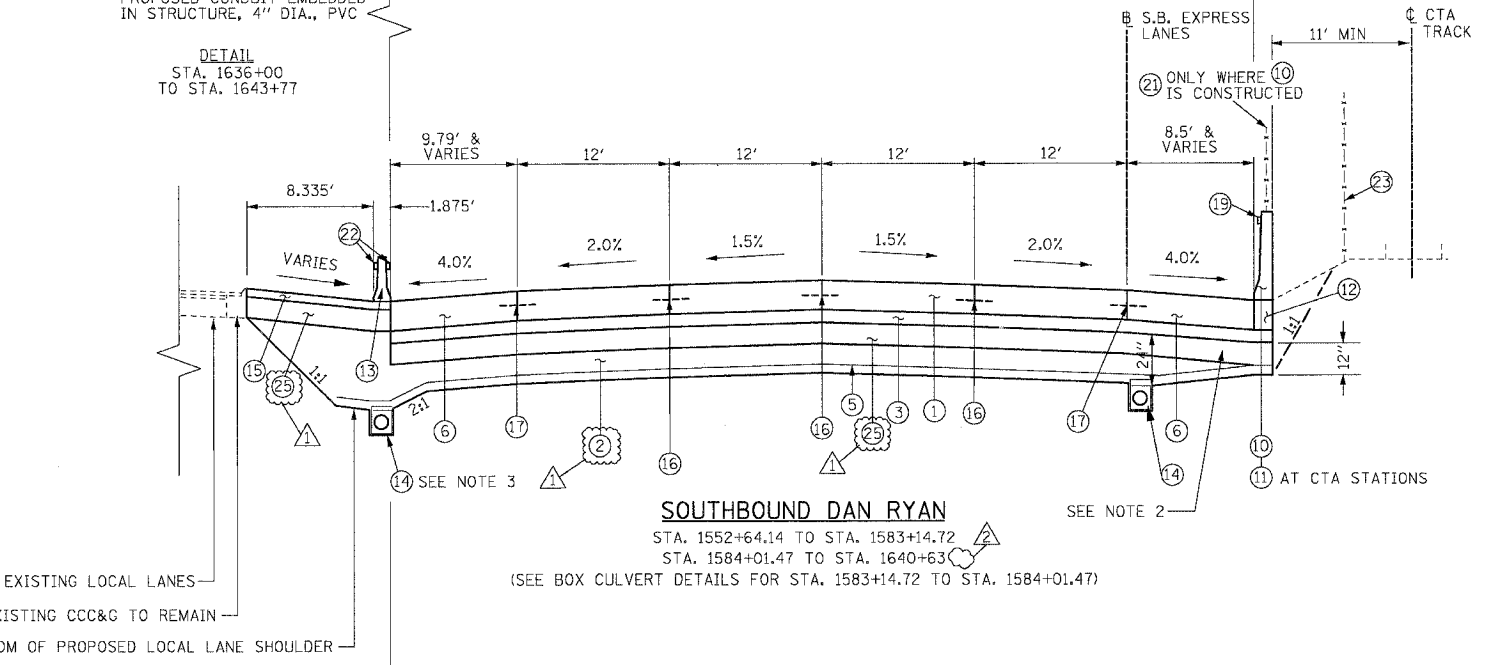
SOUTHBOUND DAN RYAN
STA. 1545+52.75 TO STA. 1552+64.14



DETAIL
STA. 1636+00 TO STA. 1643+77



DETAIL
STA. 1636+57 TO STA. 1640+63



SOUTHBOUND DAN RYAN
STA. 1552+64.14 TO STA. 1583+14.72
STA. 1584+01.47 TO STA. 1640+63
(SEE BOX CULVERT DETAILS FOR STA. 1583+14.72 TO STA. 1584+01.47)

PROPOSED LEGEND

- | | |
|--|--|
| ① CONTINUOUSLY REINFORCED PORTLAND CEMENT CONCRETE PAVEMENT 14" AND PAVEMENT REINFORCEMENT 14" | ⑫ BARRIER BASE |
| ② EXCAVATE AND PLACE EXISTING GRANULAR MATERIAL | ⑬ TEMPORARY CONCRETE BARRIER (TYPE AND LOCATION AS SHOWN ON THE PLANS) |
| ③ STABILIZED SUB-BASE - 6" | ⑭ PIPE UNDERDRAINS 6" |
| ④ SUB-BASE GRANULAR MATERIAL, TYPE B - 24" (INCLUDES 3" GRANULAR SUB-BASE CAP) | ⑮ TEMPORARY PAVEMENT (INTERSTATE) / TEMPORARY SHOULDERS |
| ⑤ GEOTECHNICAL FABRIC FOR GROUND STABILIZATION | ⑯ LONGITUDINAL SAWED OR CONSTRUCTION JOINT. FOR LONGITUDINAL SAWED JOINT, POUR IN PLACE NO. 6 TIE BARS 30" LONG AT 30" C-C. FOR LONGITUDINAL CONSTRUCTION JOINT, DRILL AND GROUT NO. 8 TIE BARS 24" LONG AT 24" C-C. |
| ⑥ PORTLAND CEMENT CONCRETE SHOULDERS 14" | ⑰ LONGITUDINAL CONSTRUCTION JOINT. DRILL AND GROUT NO. 8 TIE BARS 30" LONG AT 24" C-C. |
| ⑦ COMBINATION CONCRETE CURB AND GUTTER, TYPE M4-24 | ⑱ LONGITUDINAL CONSTRUCTION JOINT. DRILL AND GROUT NO. 6 TIE BARS 24" LONG AT 24" C-C. |
| ⑧ CONCRETE BARRIER, DOUBLE FACE 32" | ⑲ BARRIER WALL MARKERS, TYPE C (80' C-C) |
| ⑨ CONCRETE BARRIER, SINGLE FACE 32" | ⑳ TOPSOIL FURNISH AND PLACE 4"; SEEDING CLASS 2A |
| ⑩ CONCRETE BARRIER, SINGLE FACE 42" SPECIAL | ㉑ CTA FENCE |
| ⑪ EXISTING BARRIER WALL MODIFICATIONS AT CTA STATIONS (SEE CIVIL DETAILS) | ㉒ MONODIRECTIONAL PRISMATIC BARRIER REFLECTOR |
| | ㉓ CHAIN LINK FENCE, 6' (SPECIAL) (USED DURING ADJACENT CONSTRUCTION) |
| | ㉔ CONCRETE MEDIAN SURFACE 6" (SPECIAL) |
| | ㉕ SUB-BASE GRANULAR MATERIAL, TYPE B - 12" |

NOTES:

- ALL TIE BARS SHALL BE DEFORMED AND EPOXY COATED. TIE BARS SHALL BE INCLUDED IN THE COST OF PAVEMENT, SHOULDER, AND CURB AND GUTTER ITEMS AND WILL NOT BE PAID FOR SEPARATELY.
- THICKNESS OF EXCAVATE AND PLACE EXISTING GRANULAR MATERIAL UNDERNEATH THE SHOULDER ADJACENT TO CTA VARIES FROM 0" UNDERNEATH BARRIER TO 12" ABOVE UNDERDRAIN. THE THICKNESS OF EXCAVATE AND PLACE EXISTING GRANULAR MATERIAL AT UNDERDRAINS BETWEEN EXPRESS AND LOCAL LANES OR SLIP RAMP LANES MAY BE GREATER THAN 12" (SEE UNDERDRAIN DETAIL)
- THE UNDERDRAIN WILL BE CONSTRUCTED TO PROVIDE FOR SUB-BASE DRAINAGE OF THE FUTURE LOCAL LANES. SEE PIPE UNDERDRAIN DETAILS.
- SEE SPECIAL PROVISIONS AND EARTHWORK SCHEDULE FOR REQUIREMENTS OF 'EXCAVATE AND PLACE EXISTING GRANULAR MATERIAL'

REVISIONS		
NAME	DATE	
ADDENDUM 1	8/12/05	
ADDENDUM 2	9/16/05	

ILLINOIS DEPARTMENT OF TRANSPORTATION
F.A.I. 94/90 (DAN RYAN EXPRESSWAY)
31ST STREET TO 71ST STREET
SB EXPRESS LANE RECONSTRUCTION
PROPOSED TYPICAL SECTIONS
SOUTHBOUND DAN RYAN

SCALE: NTS
DATE: 07/07/05

DRAWN BY: TER
CHECKED BY: JDC

BOWMAN, BARRETT & ASSOCIATES INC.
CONSULTING ENGINEERS
Chicago, Illinois
312.228.0100
www.bbainc.com

TYP-06

9/14/2005 06/07/AD AM