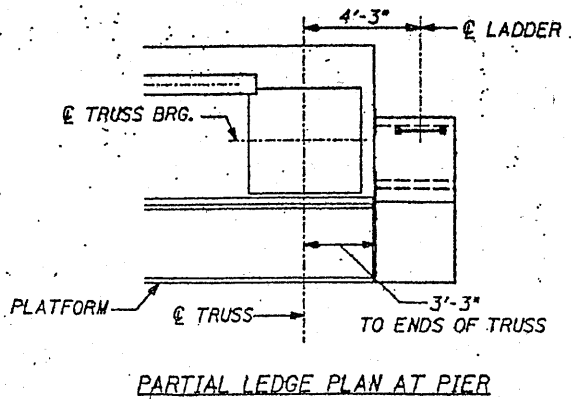
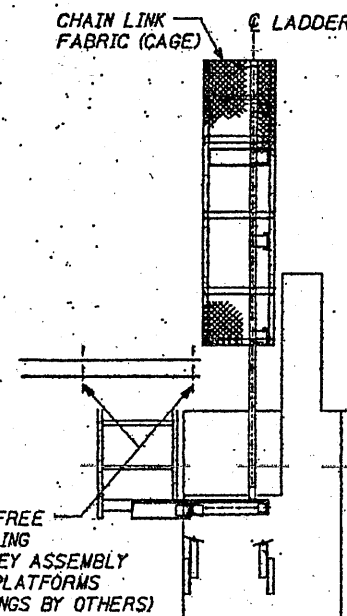
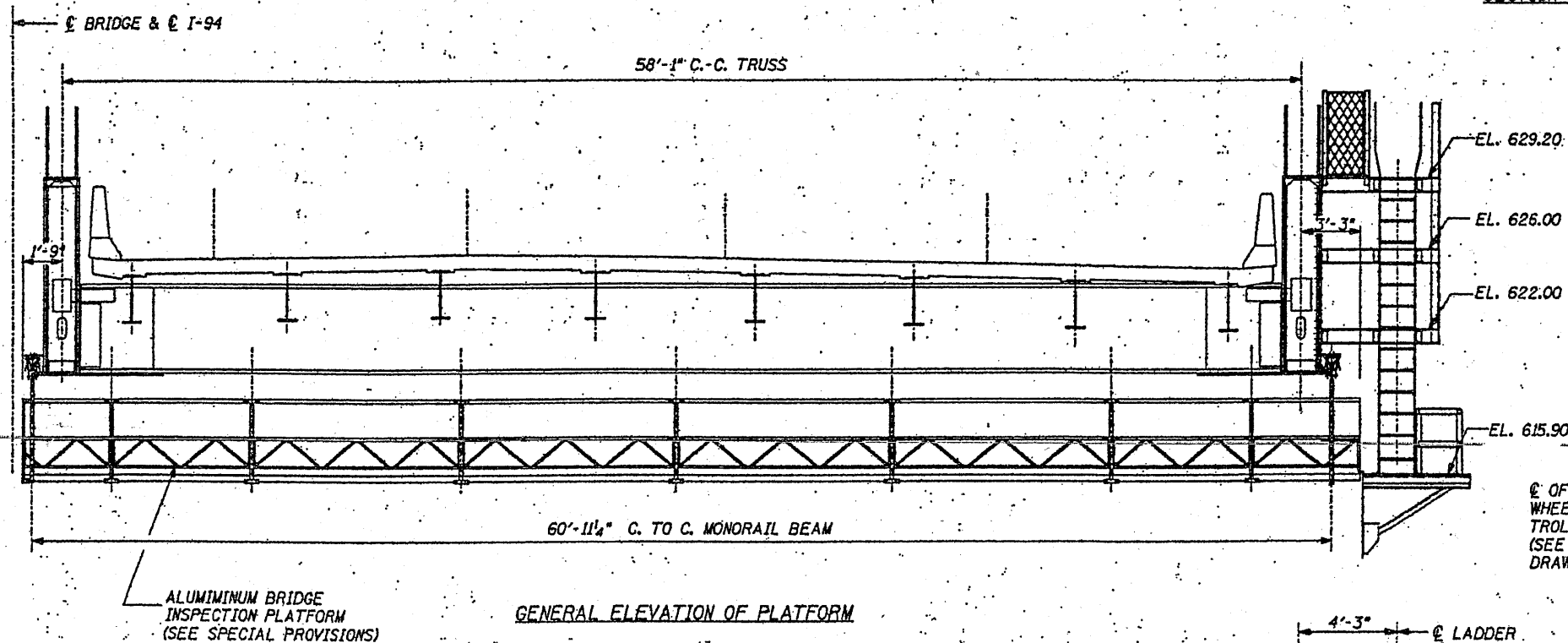
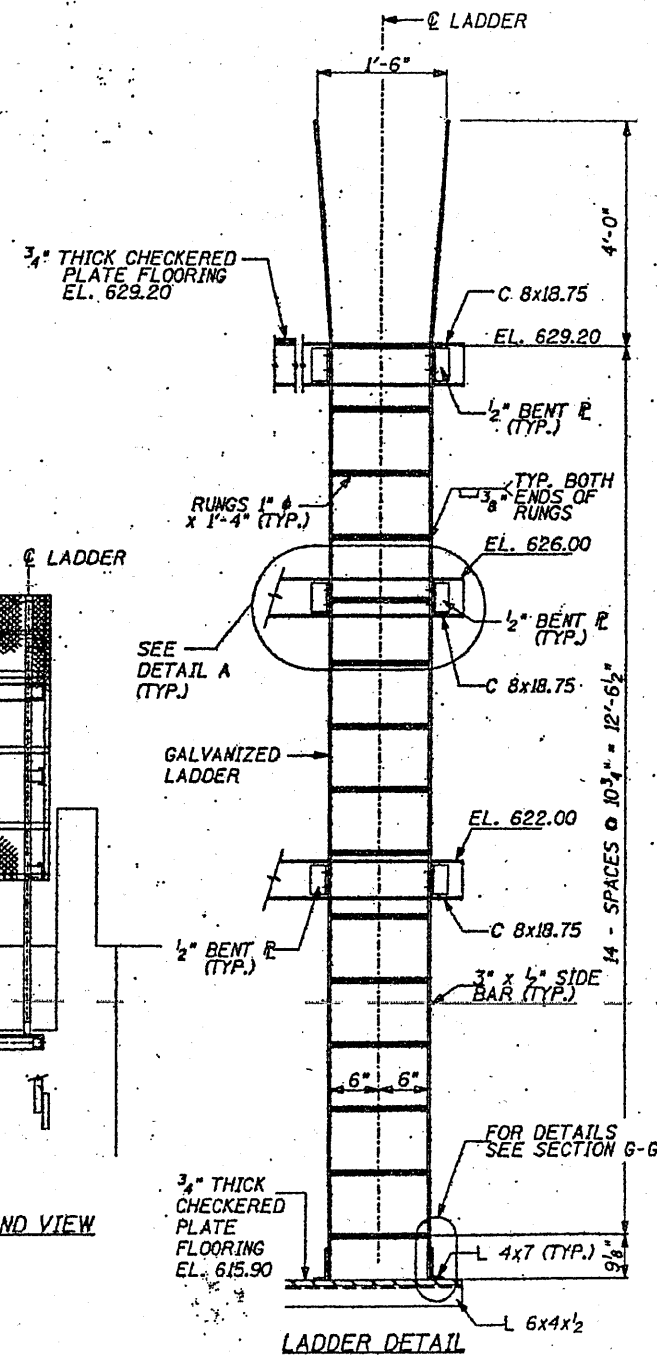
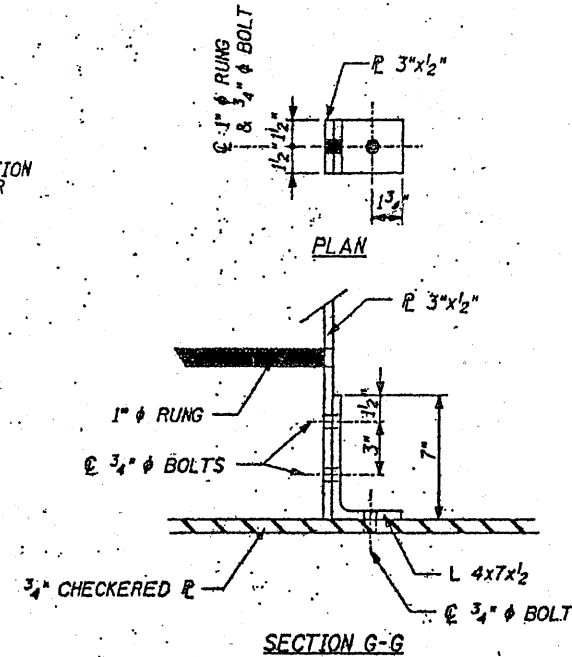
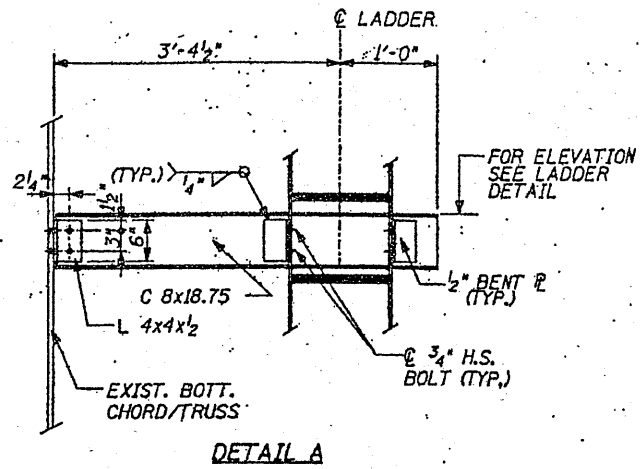
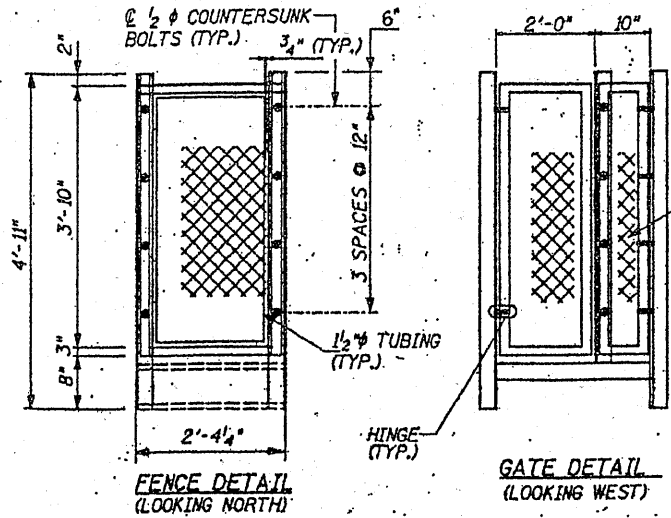


ROUTE FAI 94	SECTION 2010-089-BP	COUNTY COOK	TOTAL SHEETS 35	SHEET NUMBER 25
-----------------	------------------------	----------------	--------------------	--------------------

CONTRACT NO. 60L85



ILLINOIS DEPARTMENT OF TRANSPORTATION  
 EXISTING BRIDGE PLAN  
 SN 016-0158, -159 (BRIDGE 5 & 6)