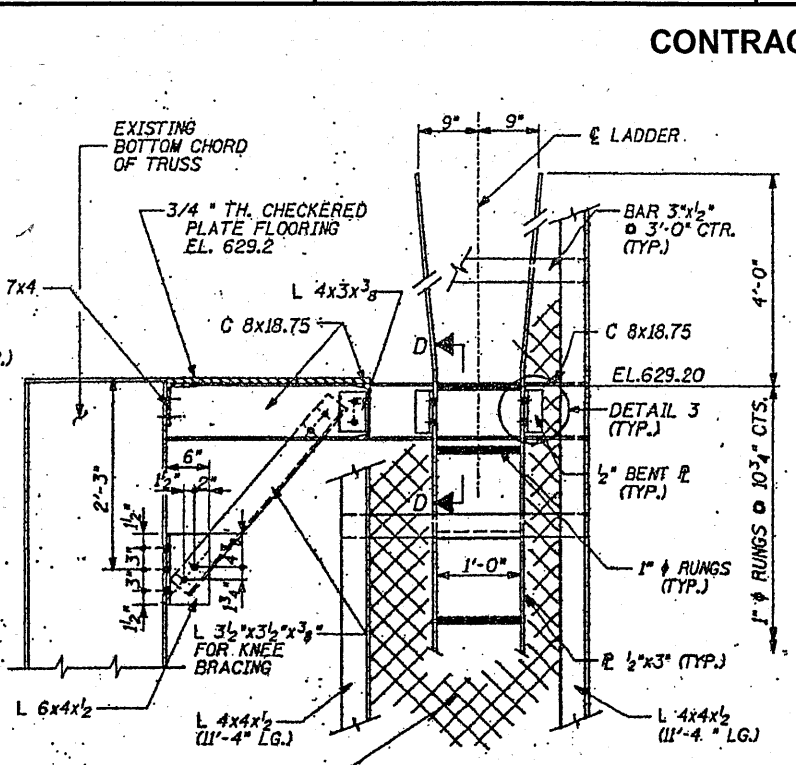
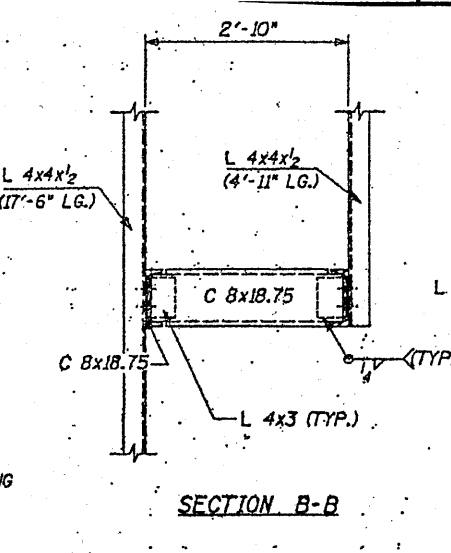
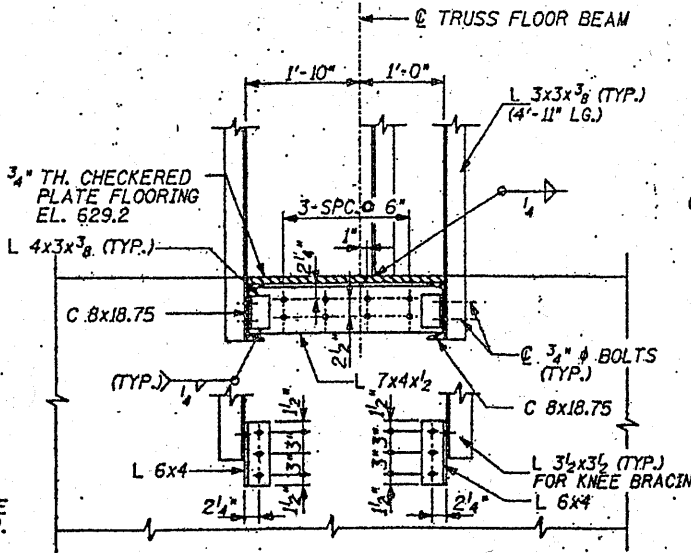
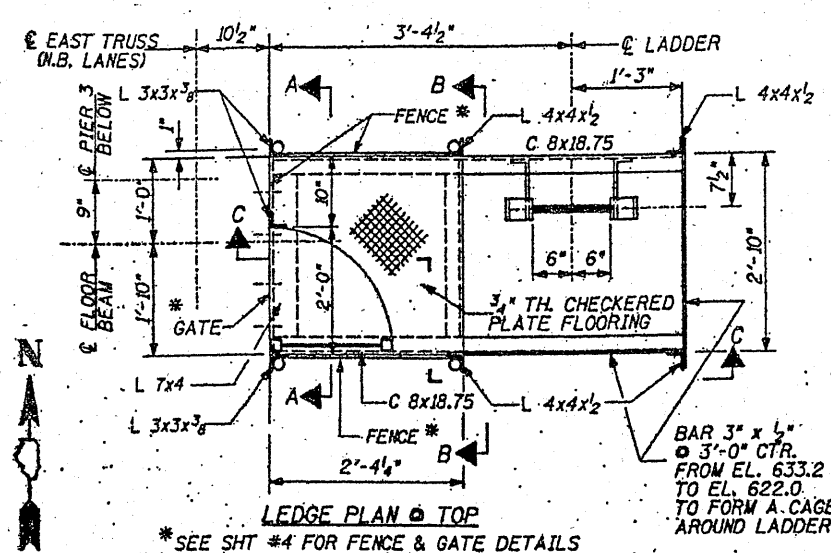


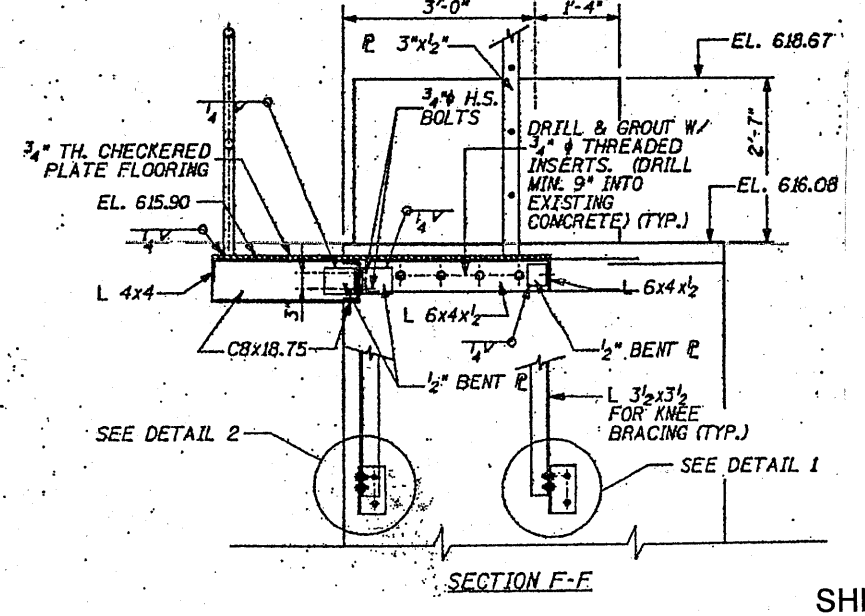
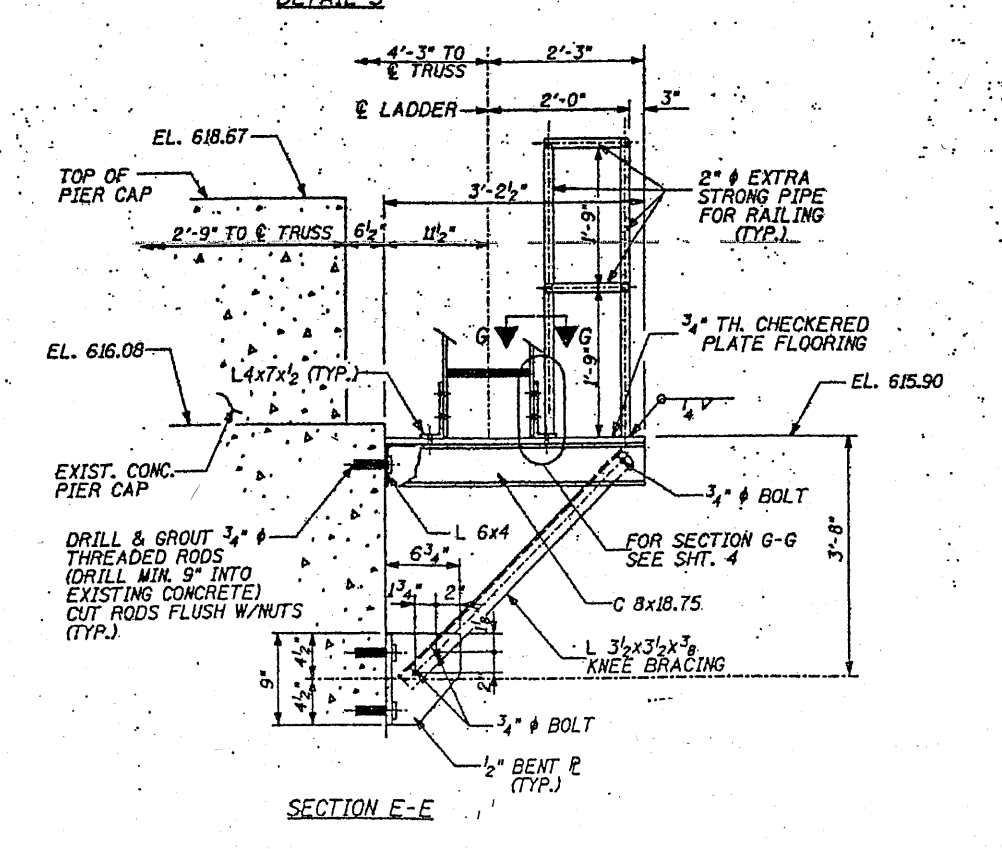
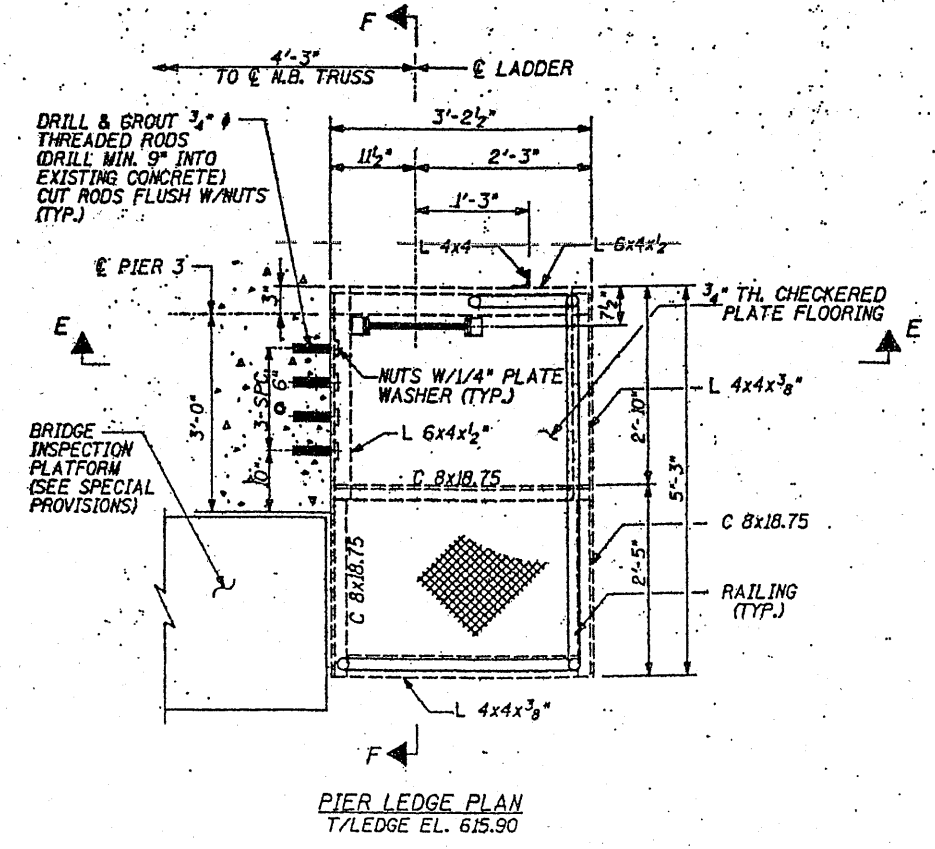
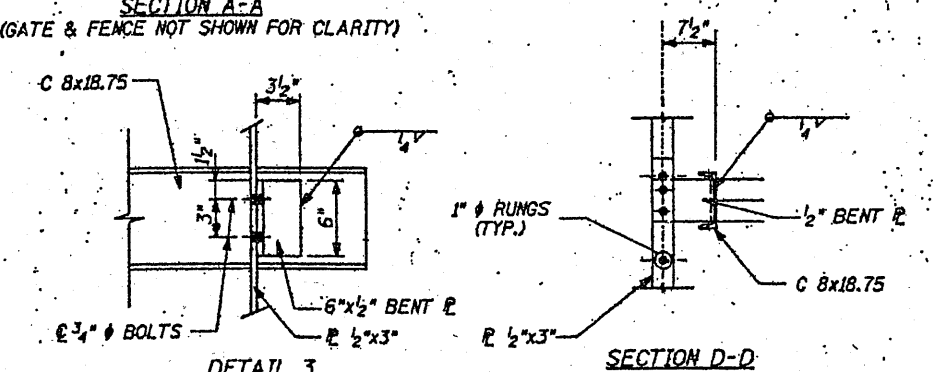
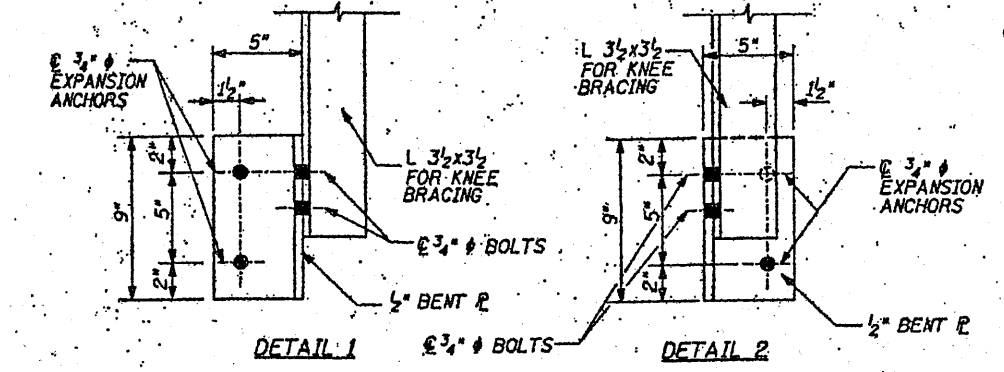
ROUTE	SECTION	COUNTY	TOTAL SHEETS	SHEET NUMBER
FAI 94	2010-089-BP	COOK	35	27

CONTRACT NO. 60L85



9 GAGE WIRE, CHAIN LINK FENCE FABRIC (CAGE), TIE TO L 4x4x2 AND 3x3x3/8 BAR @ ± 3'-0" FROM EL. 633.2 TO EL. 622.0 IN ACCORDANCE WITH ART. 664 OF THE STD. SPEC'S. COST INCLUDED WITH BRIDGE INSPECTION PLATFORM.

FOR BALANCE OF LADDER DETAIL SEE SHT. No. 4



SHEET 6 OF 6

**ILLINOIS DEPARTMENT OF TRANSPORTATION**  
**EXISTING BRIDGE PLAN**  
 SN 016-0158, -159 (BRIDGE 5 & 6)