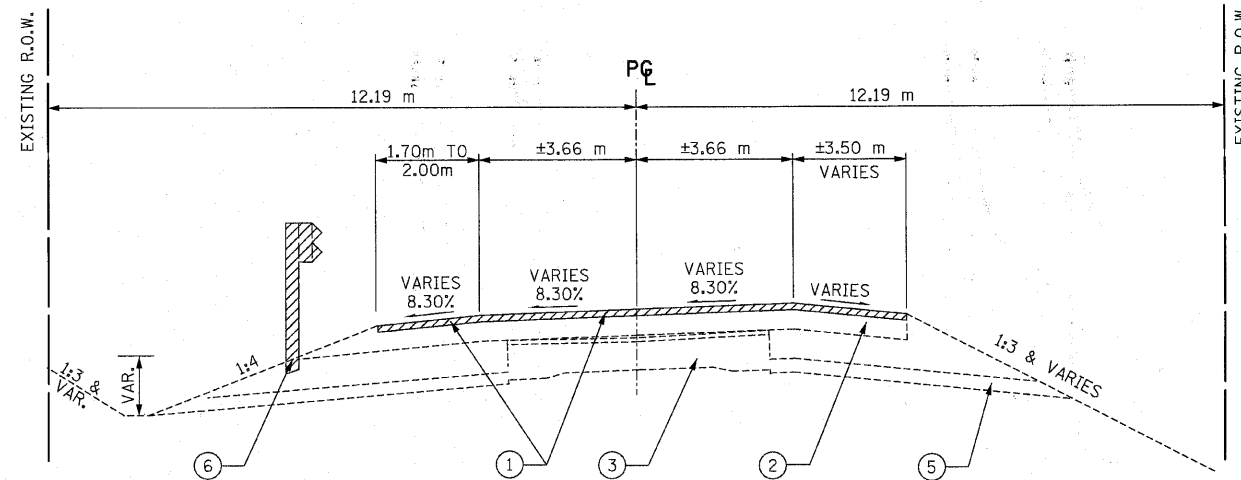


F.A.P. RTE.	SECTION	COUNTY	TOTAL SHEETS	SHEET NO.
303	134(B&B-2)R-1	LAKE	137	8
STA.		TO STA.		
FED. ROAD DIST. NO.		ILLINOIS FED. AID PROJECT		

CONTRACT NO. 62037



IL ROUTE 173 OVER WEST BOAT CHANNEL
 STA. 25+077 TO STA. 25+093.533
 STA. 25+103.253 TO STA. 25+120
 BRIDGE OMISSION: STA. 25+093.533 TO STA. 25+103.253

TYPICAL SECTION LEGEND

- ① EXISTING HOT-MIX ASPHALT SURFACE, THICKNESS VARIES FROM 25mm TO 75mm. PAID AS HOT-MIX ASPHALT SURFACE REMOVAL 65mm
- ② EXISTING HOT-MIX ASPHALT BINDER COURSE, THICKNESS VARIES FROM 100mm TO 200mm
- ③ EXISTING PCC BASE COURSE, ±250mm
- ④ EXISTING COMBINATION CONCRETE CURB AND GUTTER
- ⑤ EXISTING SUB-BASE GRANULAR MATERIAL TYPE B, 100mm REMOVAL PAID AS EARTH EXCAVATION
- ⑥ EXISTING GUARDRAIL



REVISIONS	
NAME	DATE

ILLINOIS DEPARTMENT OF TRANSPORTATION
 IL ROUTE 173 OVER WEST BOAT CHANNEL
TYPICAL SECTIONS EXISTING

SCALE: NTS
 DRAWN BY: CLG
 CHECKED BY: JUD
 DATE: 3-8-10

