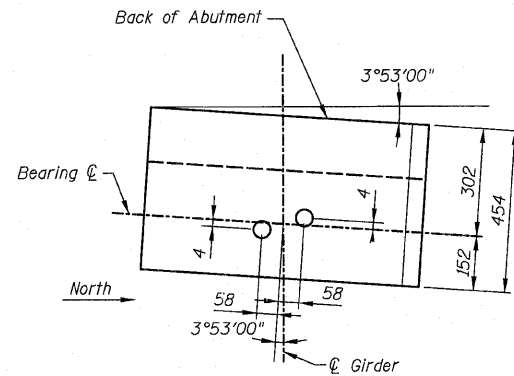


ROUTE NO.	SECTION	COUNTY	SHEET NO.	SHEET	SHEET
FAP 303 IL. 173	134(B&B-2)R-1	LAKE	137	78	17 SHEETS
FED. ROAD DIST. NO. 7		ILLINOIS	FED. AID PROJECT-		

**ABUTMENT  
BILL OF MATERIALS**

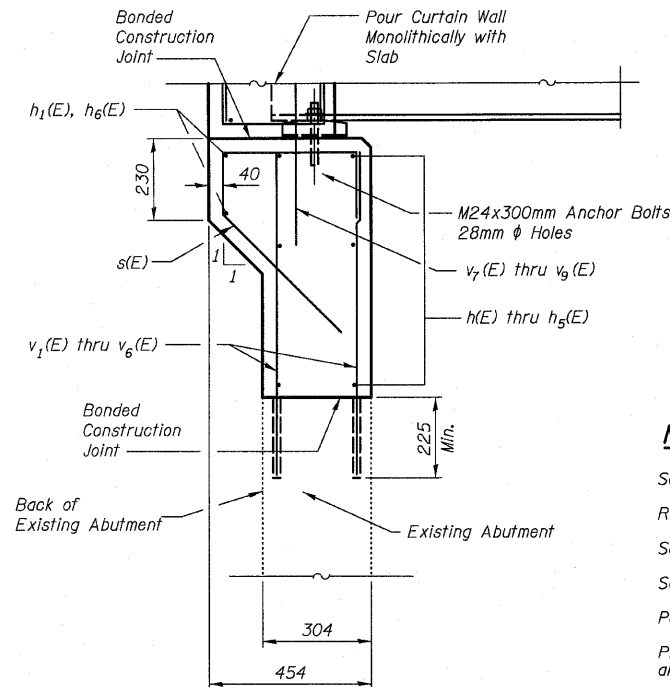
Bar	No.	Size	Length(m)	Shape
h(E)	24	#16	8.480	—
h <sub>1</sub> (E)	20	#16	2.280	—
h <sub>2</sub> (E)	4	#16	6.120	—
h <sub>3</sub> (E)	4	#16	3.760	—
h <sub>4</sub> (E)	4	#16	4.640	—
h <sub>5</sub> (E)	12	#16	7.100	—
h <sub>6</sub> (E)	4	#16	1.990	—
h <sub>7</sub> (E)	24	#16	1.070	—
h <sub>8</sub> (E)	16	#16	2.170	—
h <sub>9</sub> (E)	36	#16	0.680	—
s(E)	128	#16	1.597	□
v <sub>1</sub> (E)	36	#16	0.746	—
v <sub>2</sub> (E)	32	#16	0.943	—
v <sub>3</sub> (E)	32	#16	1.140	—
v <sub>4</sub> (E)	32	#16	1.337	—
v <sub>5</sub> (E)	32	#16	1.534	—
v <sub>6</sub> (E)	52	#16	1.731	—
v <sub>7</sub> (E)	8	#16	1.231	—
v <sub>8</sub> (E)	68	#16	1.400	—
v <sub>9</sub> (E)	24	#16	1.550	—
v <sub>10</sub> (E)	8	#16	0.882	—
Reinforcement Bars Epoxy Coated		kg	1730	
Concrete Structures		m <sup>3</sup>	14	



**ANCHOR BOLT LAYOUT DETAIL**

West Abutment shown  
East Abutment similar

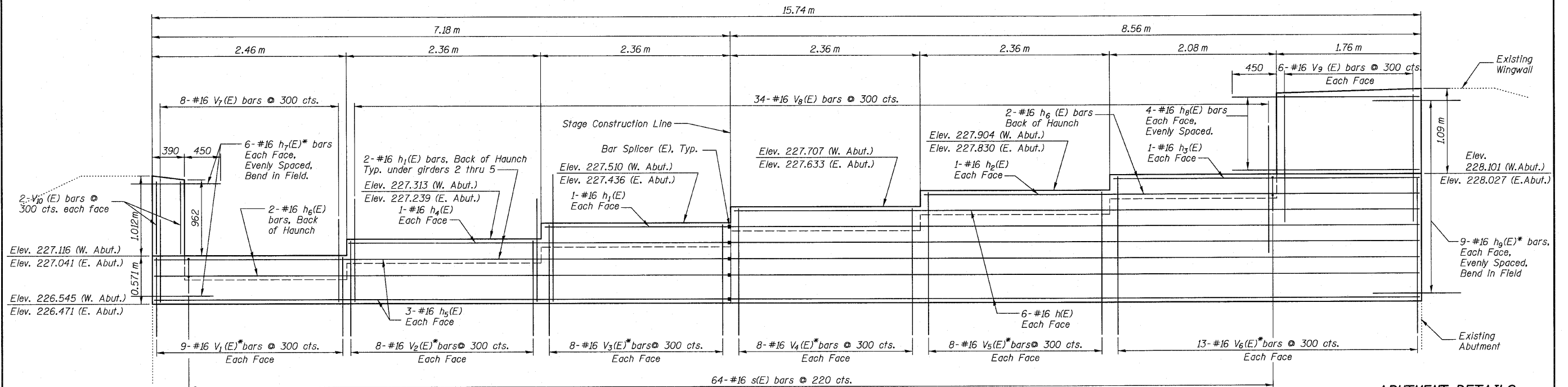
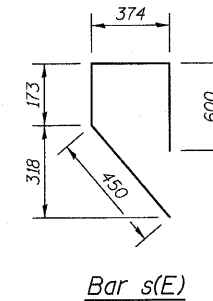
STATE OF ILLINOIS  
DEPARTMENT OF TRANSPORTATION



**SECTION THRU ABUTMENT**

**NOTES**

- See Sheet No. 16 for Bar Splicer Details.
- Reinforcement bars designated (E) shall be epoxy coated.
- See Sheet No. 8 for v<sub>7</sub>(E) thru v<sub>9</sub>(E) details.
- See Sheet No. 12 for Girder Bearing Details.
- Pour steps monolithically with cap.
- Place reinforcement in cap to miss anchor bolts.



**ABUTMENT DETAILS**

Looking East  
East Abutment Shown  
West Abutment Similar

\* Epoxy grout bars in 225mm min drilled holes according to section 584 of the Standard Specifications. Cost Included with Reinforcement Bars, Epoxy Coated.

DESIGNED	PAT2
CHECKED	RCJ/JRF
DRAWN	RDS
CHECKED	PAT2



**ABUTMENT DETAILS  
FAP 303 IL. ROUTE 173  
OVER WEST BOAT CHANNEL  
SECTION 134(B&B-2)R-1  
LAKE COUNTY  
STATION 25+098.390  
STRUCTURE NO. 049-0055**