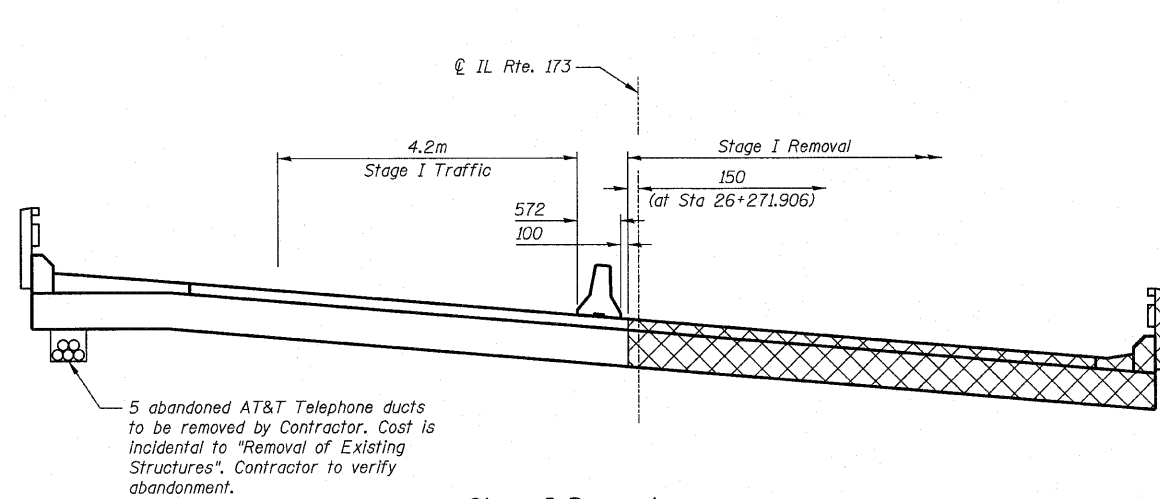


STATE OF ILLINOIS
DEPARTMENT OF TRANSPORTATION

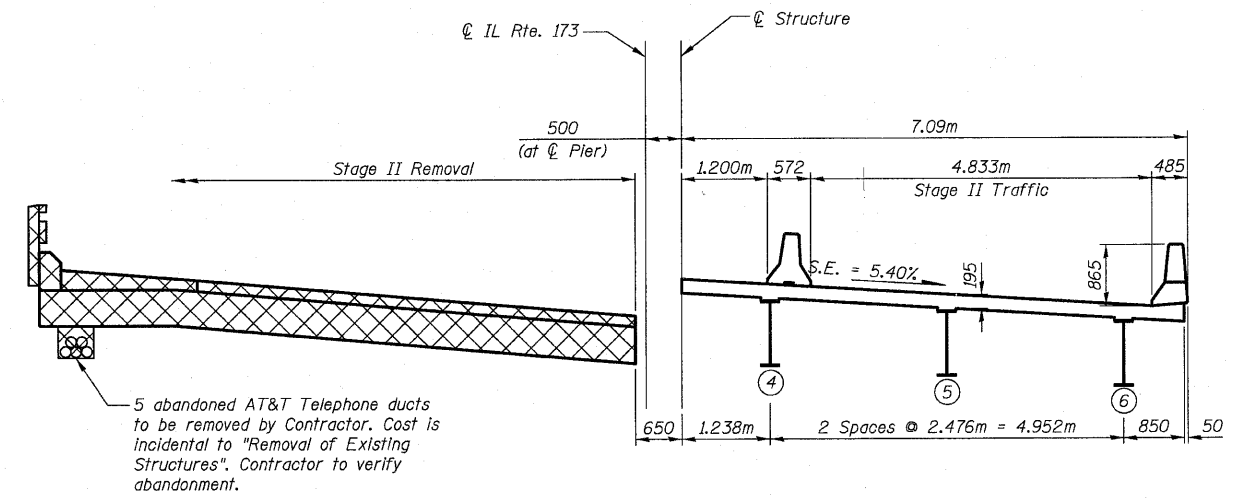
| | | | | |
|-----------------------|---------------|------------------|--------------|-----------|
| ROUTE NO. | SECTION | COUNTY | TOTAL SHEETS | SHEET NO. |
| FAP 303 IL. 173 | 134(B&B-2)R-1 | LAKE | 137 | 83 |
| FED. ROAD DIST. NO. 7 | ILLINOIS | FED. AID PROJECT | | |

SHEET NO. 3
23 SHEETS



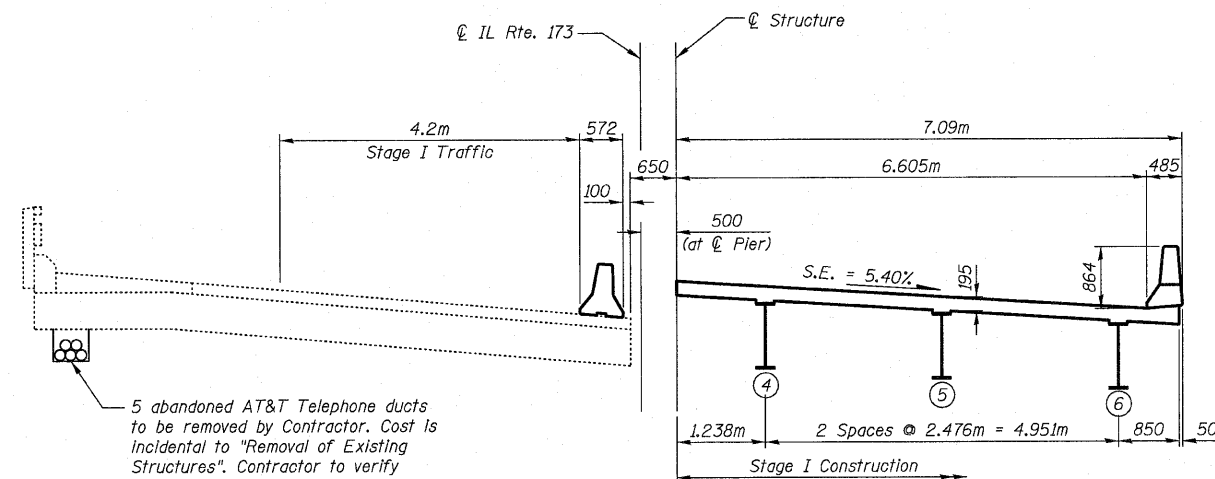
Stage I Removal
(Looking East)

All Dimensions at right angles unless otherwise noted



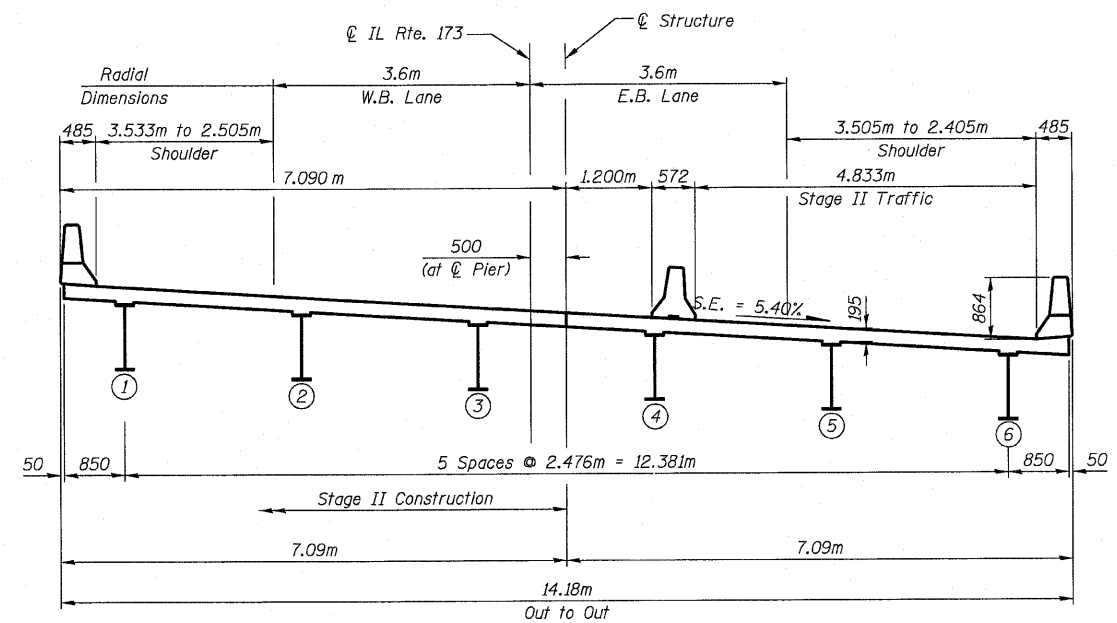
Stage II Removal
(Looking East)

All Dimensions at right angles unless otherwise noted



Stage I Construction
(Looking East)

All Dimensions at right angles unless otherwise noted



Stage II Construction
(Looking East)

All Dimensions at right angles unless otherwise noted

| | |
|----------|-----|
| DESIGNED | JRF |
| CHECKED | RCJ |
| DRAWN | RDS |
| CHECKED | JRF |



STAGE CONSTRUCTION
FAP 303 IL. ROUTE 173
OVER EAST BOAT CHANNEL
SECTION 134(B&B-2)R-1
LAKE COUNTY
STATION 26+271.906
STRUCTURE NO. 049-0198