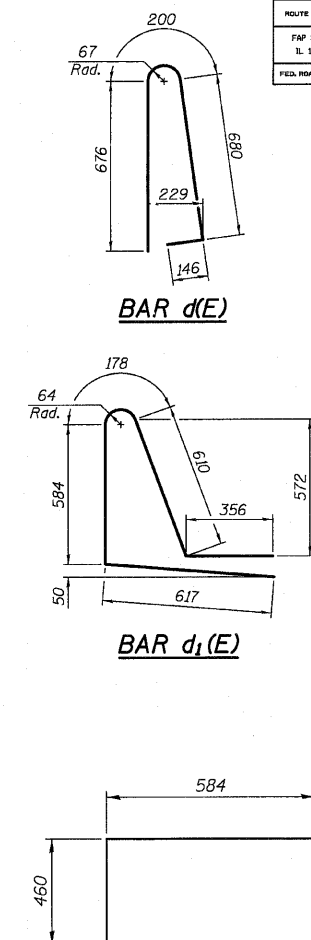
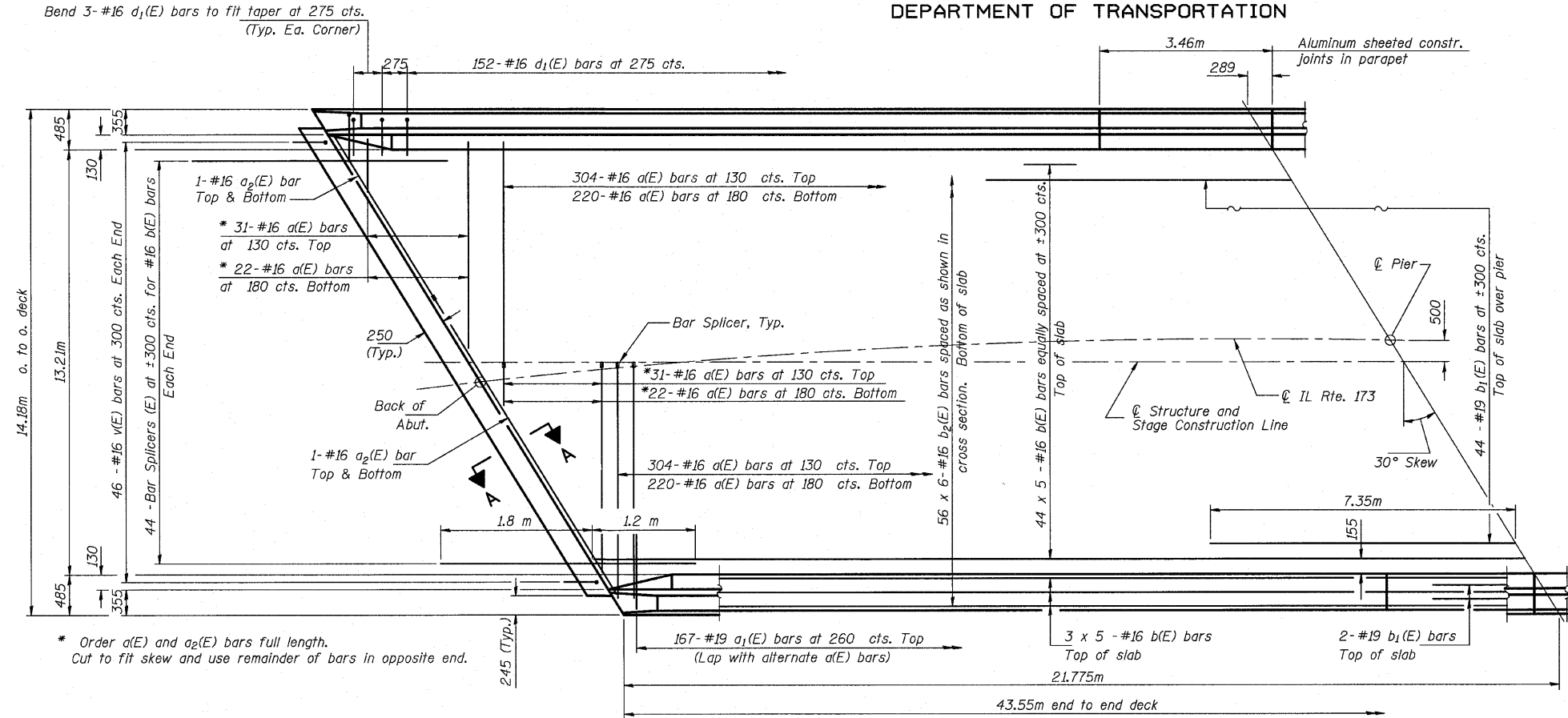


STATE OF ILLINOIS
DEPARTMENT OF TRANSPORTATION

ROUTE NO.	SECTION	COUNTY	STATE	SHEET
FAP 303 IL. 173	134(B&B-2)R-1	LAKE	137	08
FED. ROAD DIST. NO. 7	ILLINOIS	FED. AID PROJECT-		

SHEET NO. 8
23 SHEETS



SUPERSTRUCTURE BILL OF MATERIAL

Bar	No.	Size	Length(m)	Shape
a(E)	1154	#16	6.800	—
a ₁ (E)	334	#19	2.000	—
a ₂ (E)	8	#16	8.000	—
b(E)	250	#16	9.180	—
b ₁ (E)	48	#19	14.700	—
b ₂ (E)	336	#16	7.750	—
d(E)	316	#16	1.702	—
d ₁ (E)	316	#16	2.345	—
e(E)	84	#16	5.970	—
e ₁ (E)	8	#25	9.700	—
e ₂ (E)	32	#16	3.460	—
e ₃ (E)	4	#25	3.460	—
e ₄ (E)	8	#16	9.370	—
m(E)	8	#19	8.107	—
m ₁ (E)	12	#19	8.107	—
m ₂ (E)	24	#19	3.709	—
m ₃ (E)	10	#19	2.739	—
m ₄ (E)	4	#19	0.939	—
s(E)	92	#16	1.413	—
s ₁ (E)	92	#16	2.872	—
v(E)	92	#16	1.044	—
Reinforcement Bars Epoxy Coated		kg	27,760	
Concrete Superstructure		m ³	175	

MINIMUM BAR LAP
#16 bar = 610
#25 bar = 1.270m

NOTES

See Sheets #9 and 10 for additional Superstructure details.

Bars indicated thus 20x3-#15 etc. indicates 20 lines of bar with 3 lengths per line.

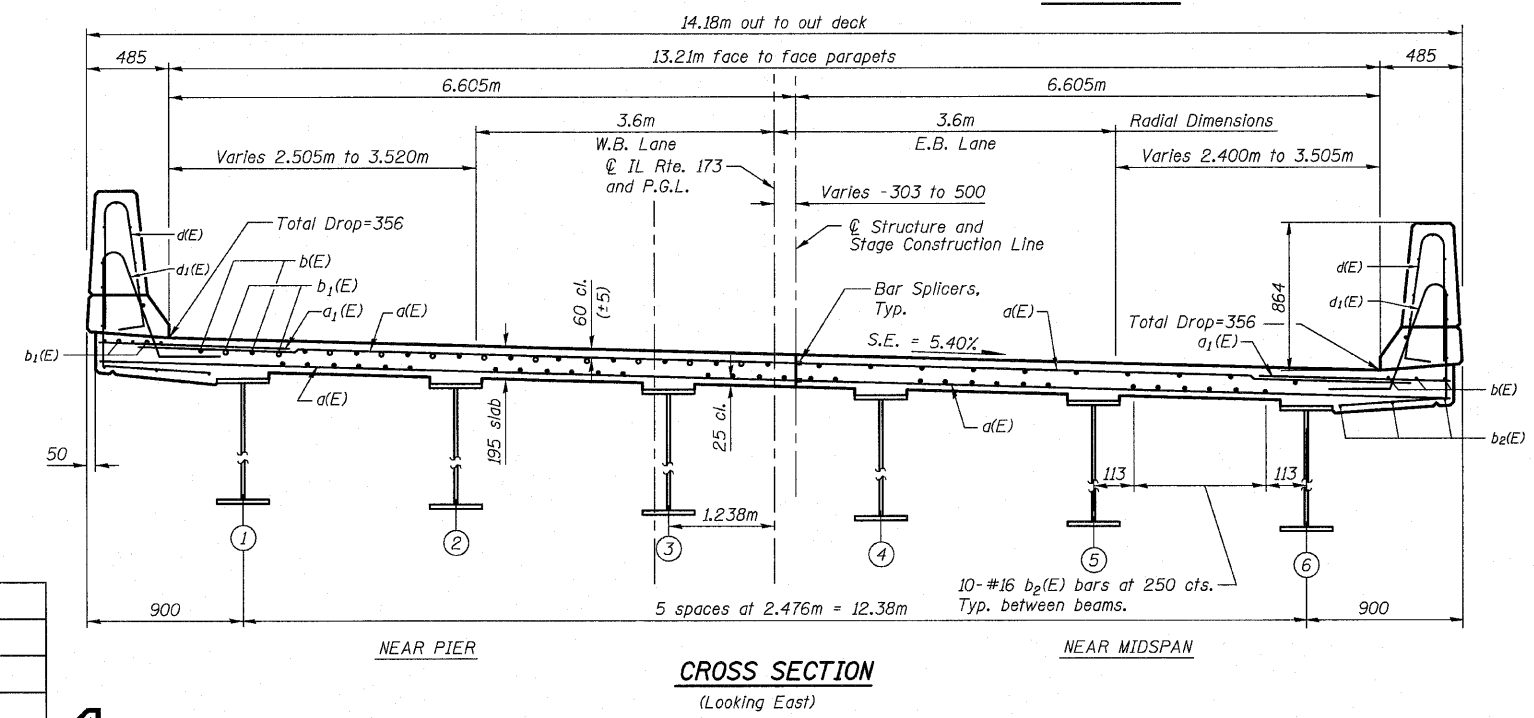
See Sheet #10 for parapet reinforcement.

See Sheet #9 for Section A-A.

Reinforcing Bars designated (E) shall be Epoxy Coated.

All dimensions are in millimeters (mm) except as noted.

(X) Girder designation



DESIGNED	JRF
CHECKED	RCJ
DRAWN	RDS
CHECKED	JRF



DECK PLAN AND CROSS SECTION
FAP 303 IL. ROUTE 173
OVER EAST BOAT CHANNEL
SECTION 134(B&B-2)R-1
LAKE COUNTY
STATION 26+271.906
STRUCTURE NO. 049-0198

3116-04-9-0198.dgn