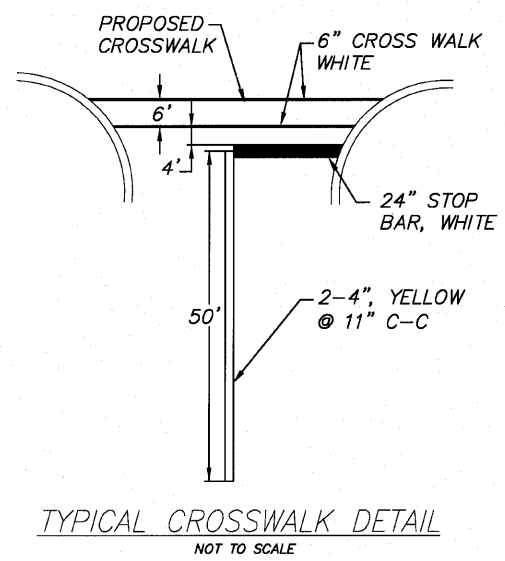
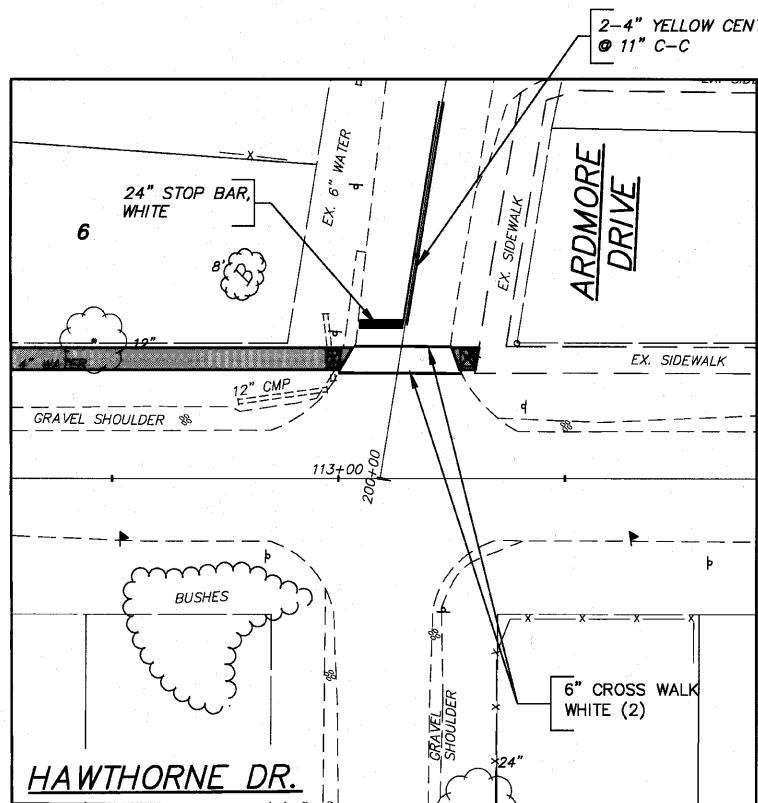
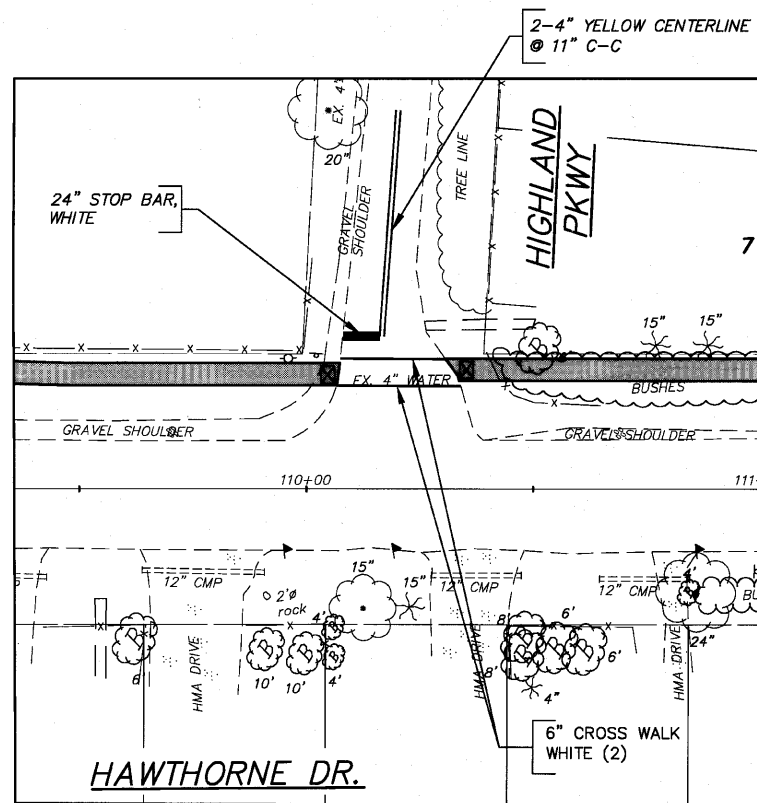


N
 1
 SCALE:
 HOR: 1"=20'



FILE NAME = 102589PAVEMENTMARKINGS.DWG	USER NAME =	DESIGNED - RJD	REVISED -
	FILE NAME =	DRAWN - EC	REVISED -
	PLOT SCALE =	CHECKED - RJD	REVISED -
	PLOT DATE =	DATE - 01/19/10	REVISED -

STATE OF ILLINOIS
 DEPARTMENT OF TRANSPORTATION

PAVEMENT MARKINGS
 HAWTHORNE DRIVE

SCALE: 1"=20'	SHEET NO. 25 OF 75 SHEETS	F.A. RTE. ---	SECTION 10-00073-00-SW	COUNTY LAKE	TOTAL SHEETS 75	SHEET NO. 25
CONTRACT NO. 63467						ILLINOIS FED. AID PROJECT