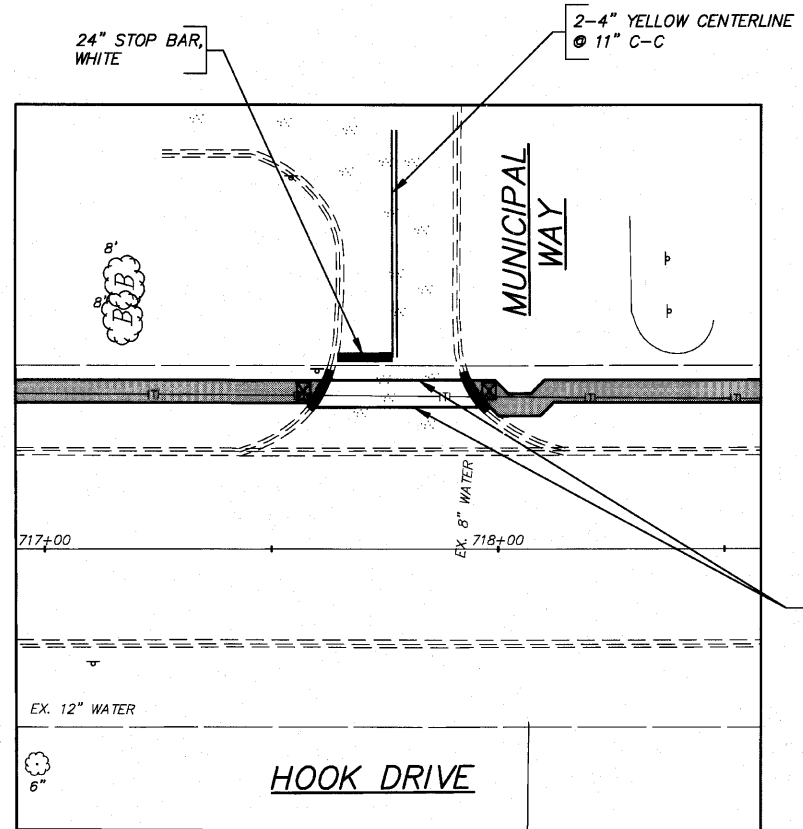
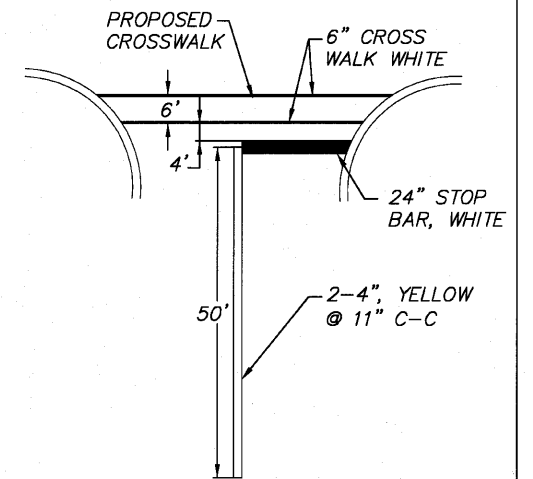
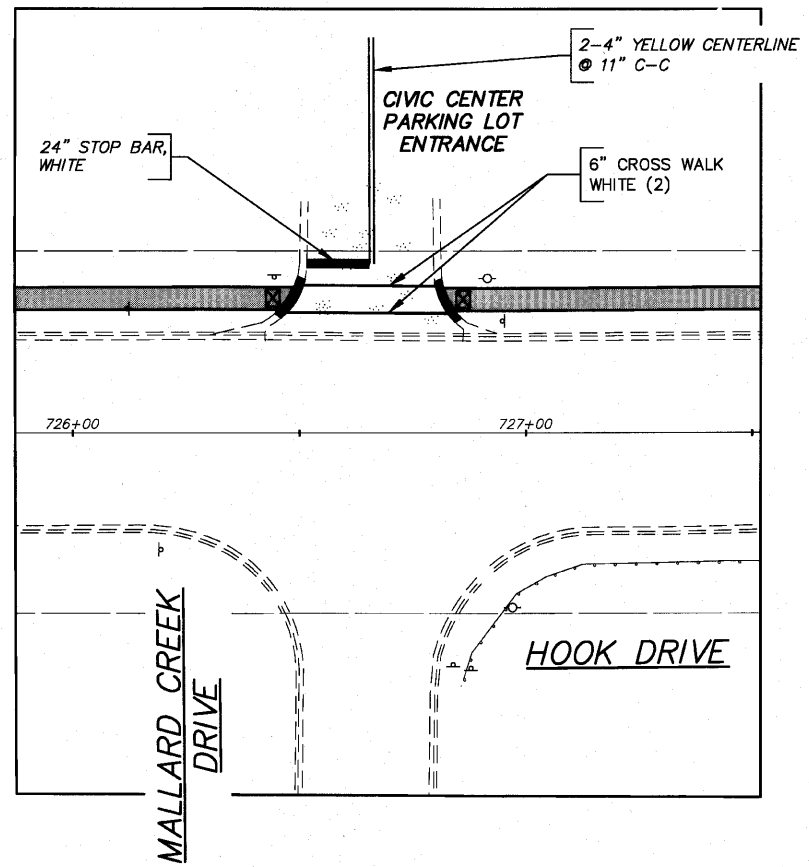
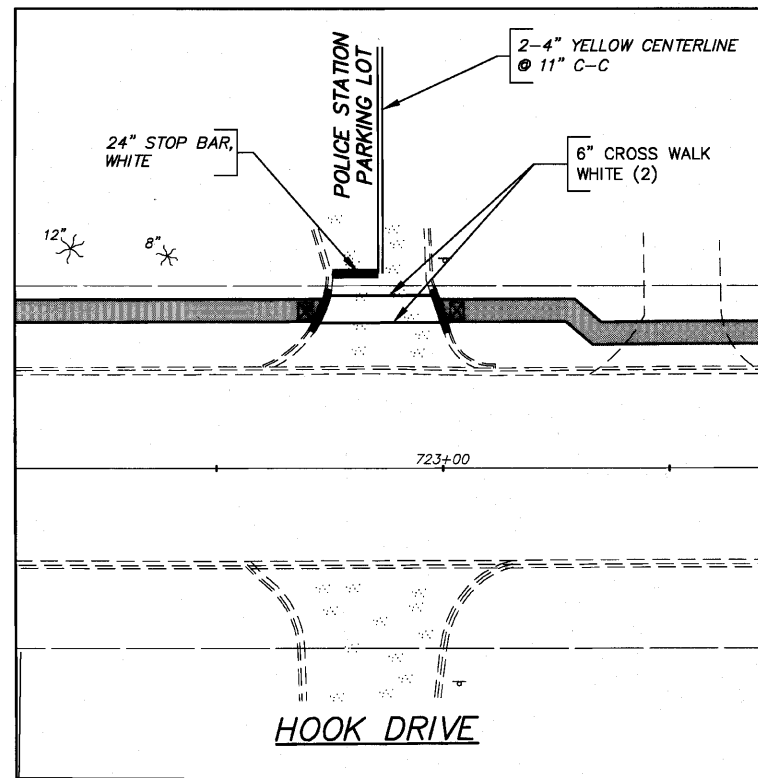


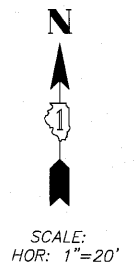
24" STOP BAR, WHITE



6" CROSS WALK WHITE (2)



TYPICAL CROSSWALK DETAIL  
NOT TO SCALE



FILE NAME = 102589PAVEMENTMARKINGS.DWG	USER NAME =	DESIGNED = RJD	REVISED =
	FILE NAME =	DRAWN = EC	REVISED =
	PLOT SCALE =	CHECKED = RJD	REVISED =
	PLOT DATE =	DATE = 01/19/10	REVISED =

STATE OF ILLINOIS  
DEPARTMENT OF TRANSPORTATION

PAVEMENT MARKINGS  
HOOK DRIVE

SCALE: 1"=20' SHEET NO. 27 OF 75 SHEETS

F.A. RTE.	SECTION	COUNTY	TOTAL SHEETS	SHEET NO.
	10-00073-00-SW	LAKE	75	27
CONTRACT NO. 63467			ILLINOIS FED. AID PROJECT	