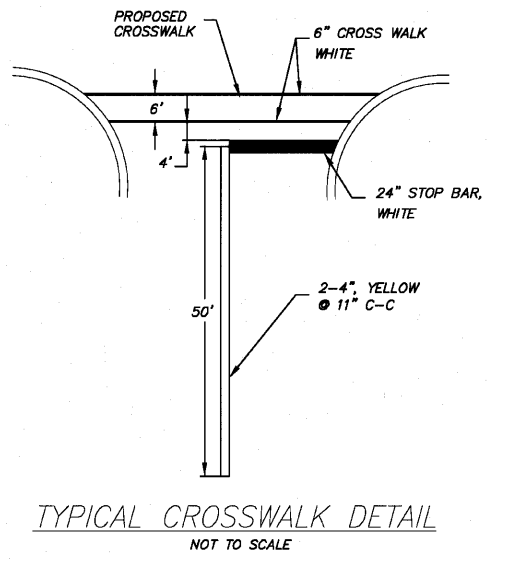
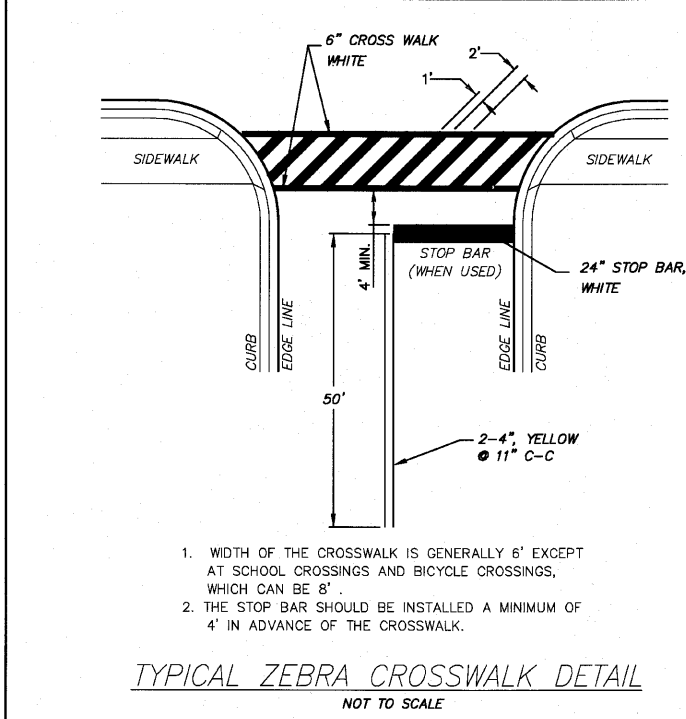
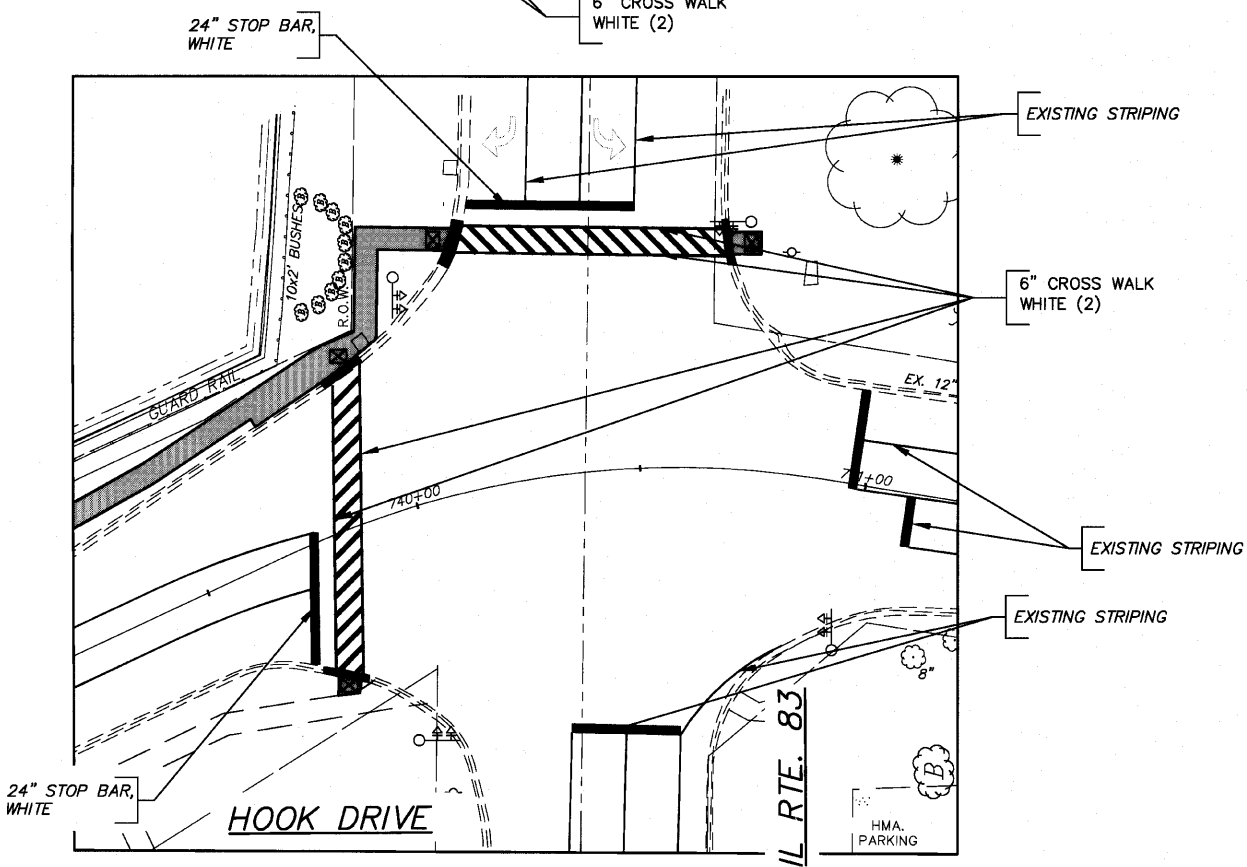


N
1
SCALE:
HOR: 1"=20'



FILE NAME = 102589PAVEMENTMARKINGS.DWG	USER NAME =	DESIGNED = RJD	REVISED =
	FILE NAME =	DRAWN = EC	REVISED =
	PLOT SCALE =	CHECKED = RJD	REVISED =
	PLOT DATE =	DATE = 01/19/10	REVISED =

**STATE OF ILLINOIS
DEPARTMENT OF TRANSPORTATION**

PAVEMENT MARKINGS

SCALE: 1"=20' SHEET NO. 28 OF 75 SHEETS

F.A. RTE.	SECTION	COUNTY	TOTAL SHEETS	SHEET NO.
---	10-00073-00-SW	LAKE	75	28
CONTRACT NO. 63467			ILLINOIS FED. AID PROJECT	