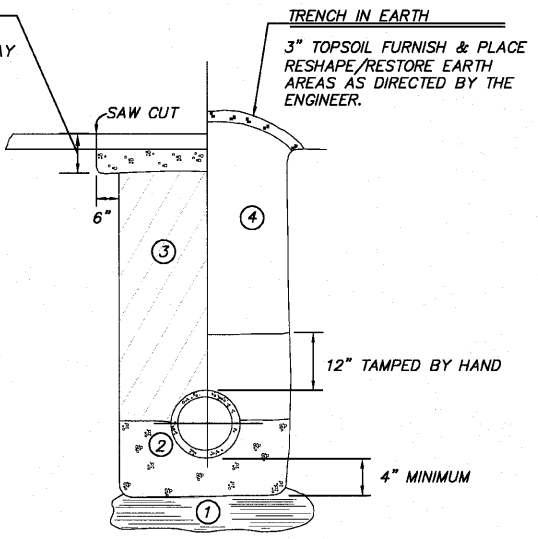


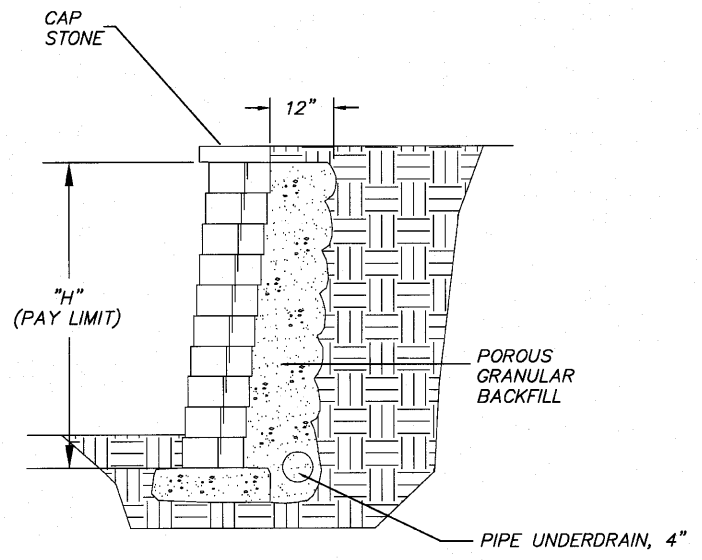
**TYPICAL SECTION -  
GRADING AND SHAPING DITCHES**

**TRENCH IN PAVEMENT**  
SEE SHEET 3 FOR PAVEMENT  
SECTION ADJACENT TO DRIVEWAY



- ① UNSUITABLE MATERIAL TO BE REMOVED AND REPLACED WITH POROUS GRANULAR EMBANKMENT AS DIRECTED BY THE ENGINEER
- ② SELECTED GRANULAR BEDDING (CA 11, CRUSHED)
- ③ TRENCH BACKFILL (FA-2, FA-6)
- ④ APPROVED EXCAVATED MATERIAL

**TYPICAL TRENCH DETAIL**  
NOT TO SCALE



NOTE: SEE SPECIAL PROVISIONS FOR MORE INFORMATION

**SEGMENTAL BLOCK WALL DETAIL**  
NOT TO SCALE

FILE NAME = 10258903.DWG	USER NAME =	DESIGNED -- RJD	REVISED --	<b>STATE OF ILLINOIS DEPARTMENT OF TRANSPORTATION</b>	<b>SPECIAL DETAILS</b>	F.A. RTE.	SECTION	COUNTY	TOTAL SHEETS	SHEET NO.	
	FILE NAME =	DRAWN -- EC	REVISED --			---	10-00073-00-SW	LAKE	75	40	
	PLOT SCALE =	CHECKED -- RJD	REVISED --			CONTRACT NO. 63467					
	PLOT DATE =	DATE -- 01/19/10	REVISED --			ILLINOIS FED. AID PROJECT					
				SCALE: N.T.S. SHEET NO. 40 OF 75 SHEETS							