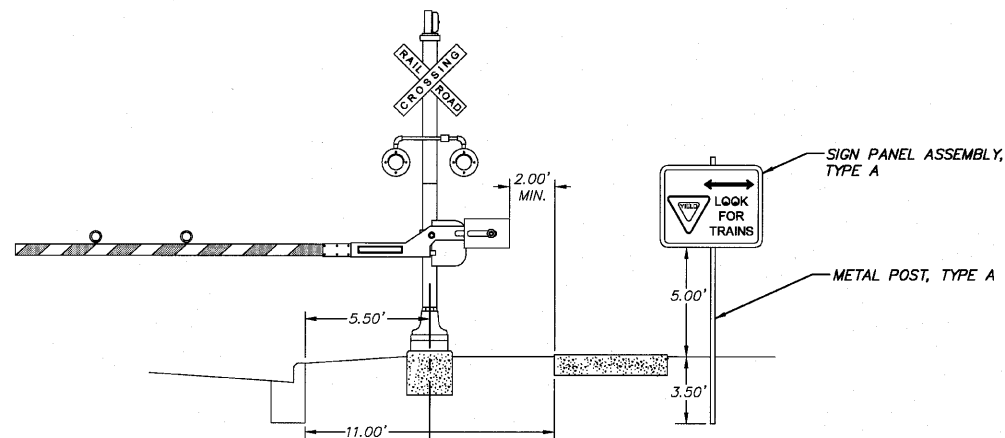
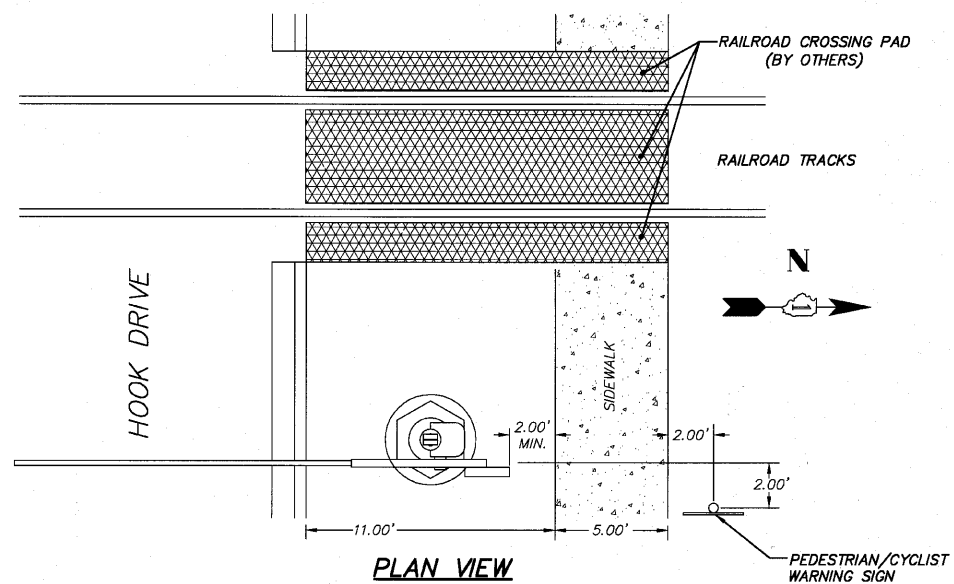
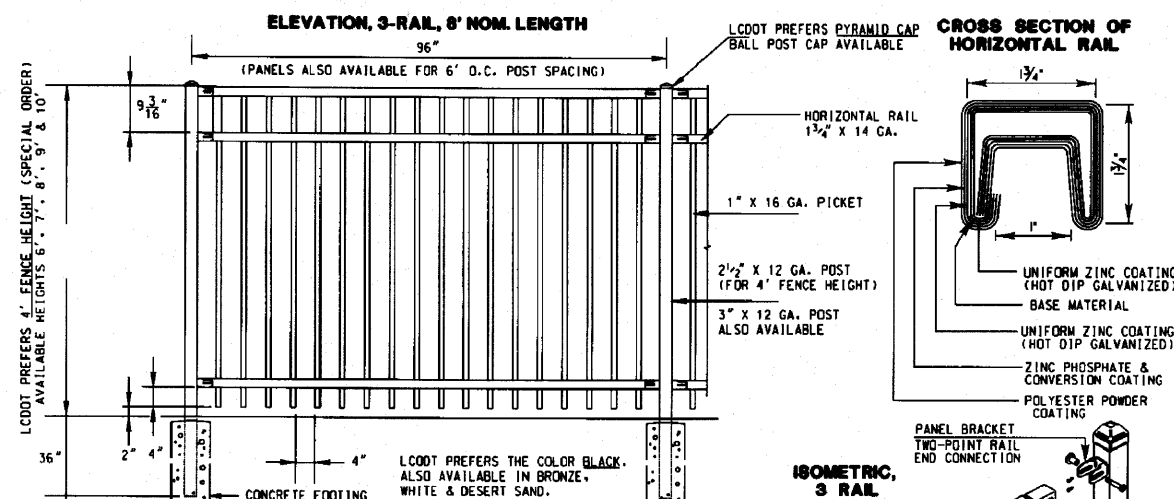


PEDESTRIAN & CYCLIST WARNING SIGN DETAIL



NOTE: TYPICAL EACH SIDE OF RAILROAD CROSSING

RAILROAD CROSSING DETAIL (LOOKING WEST)



Post Selection for Fence Height 6' - 10'

Wind Loading				
Fence Height (FT)	Rail Length (FT)	Post Size	Wind Load Capacity Factor (PSF)	Typical Wind Load Capacity (mph)
6	6	2 1/2" x 12 GA.	45.5	133.0
	8	3" x 12 GA.	54.6	146.0
	8	2 1/2" x 12 GA.	34.2	118.0
7	6	2 1/2" x 12 GA.	41.0	127.0
	8	3" x 12 GA.	33.4	114.0
	8	2 1/2" x 12 GA.	40.0	125.0
8	6	2 1/2" x 12 GA.	25.0	99.0
	8	3" x 12 GA.	30.0	108.0
	8	2 1/2" x 12 GA.	25.8	100.0
9	6	3" x 12 GA.	30.7	110.0
	8	2 1/2" x 12 GA.	18.2	87.0
	8	3" x 12 GA.	23.0	96.0
10	6	4" x 12 GA.	30.6	110.0
	6	4" x 12 GA.	32.0	113.0
10	6	4" x 12 GA.	28.7	107.0

GATES: SPECIFY OPENING WIDTHS
SINGLE ----- QUANTITY ----
DOUBLE ----- QUANTITY ----

ORNAMENTAL FENCE DETAIL

FILE NAME = 10258903.DWG

USER NAME =	DESIGNED = RJD	REVISED =
FILE NAME =	DRAWN = EC	REVISED =
PLOT SCALE =	CHECKED = RJD	REVISED =
PLOT DATE =	DATE = 01/19/10	REVISED =

STATE OF ILLINOIS
DEPARTMENT OF TRANSPORTATION

SPECIAL DETAILS

SCALE: N.T.S. SHEET NO. 41 OF 75 SHEETS

F.A. RTE.	SECTION	COUNTY	TOTAL SHEETS	SHEET NO.
---	10-00073-00-SW	LAKE	75	41
CONTRACT NO. 63467				
ILLINOIS FED. AID PROJECT				