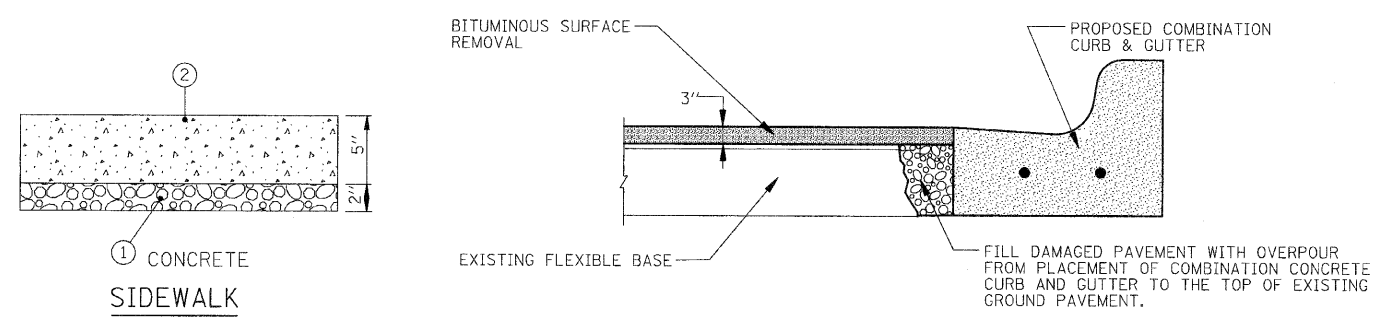


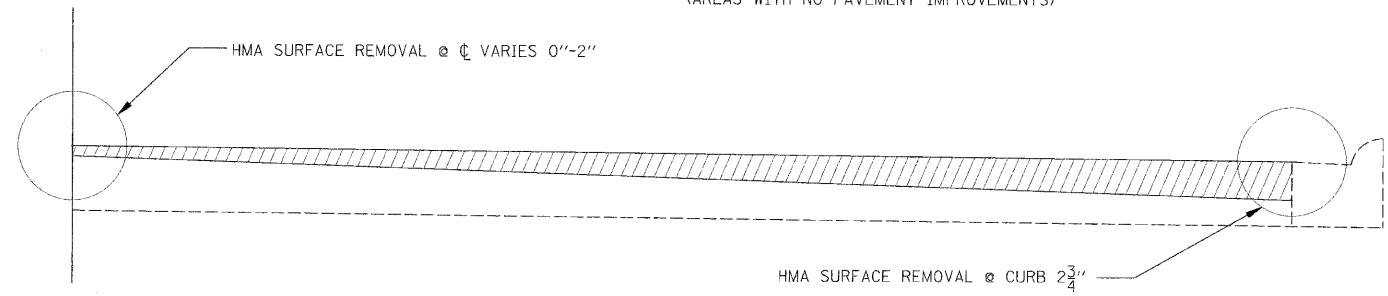
DATE _____ BY _____
 REVISIONS
 NO. 1 _____
 NO. 2 _____
 NO. 3 _____
 NO. 4 _____
 NO. 5 _____
 NO. 6 _____
 NO. 7 _____
 NO. 8 _____
 NO. 9 _____
 NO. 10 _____

DATE _____ BY _____
 REVISIONS
 NO. 1 _____
 NO. 2 _____
 NO. 3 _____
 NO. 4 _____
 NO. 5 _____
 NO. 6 _____
 NO. 7 _____
 NO. 8 _____
 NO. 9 _____
 NO. 10 _____

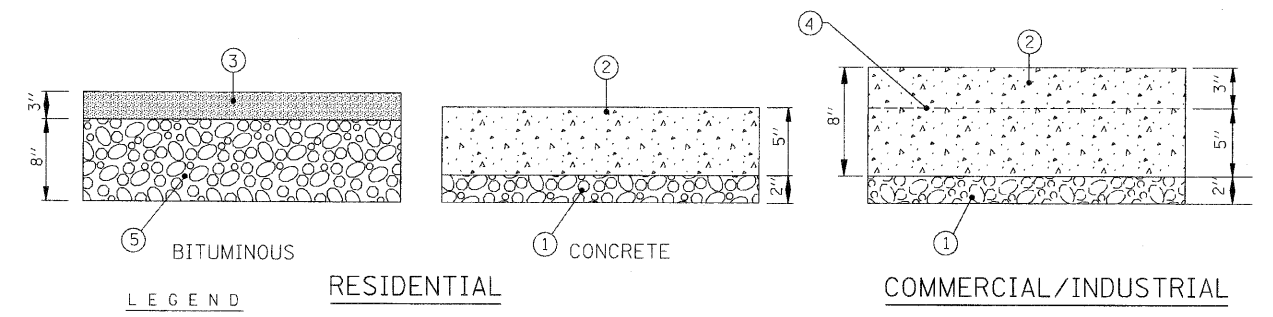


**PAVEMENT RESTORATION DETAIL
 ADJACENT TO REMOVED AND REPLACED CURB & GUTTER**

ALL WORK INCLUDED IN THE COST OF THE ASSOCIATED CURB AND GUTTER AND CURB AND GUTTER REMOVAL PAY ITEMS. (AREAS WITH NO PAVEMENT IMPROVEMENTS)

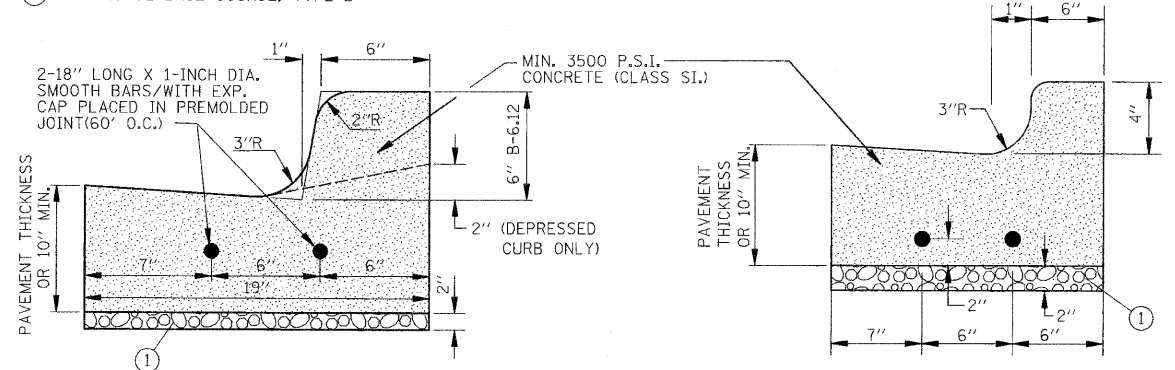


**HMA SURFACE REMOVAL DETAIL
 NOT TO SCALE**



- LEGEND**
- ① SUB-BASE GRANULAR MATERIAL, TYPE B
 - ② CLASS SI CONCRETE
 - ③ HOT-MIX ASPHALT SURFACE COURSE, MIX "C", N50
 - ④ 6" x 6" #6 WIRE MESH
 - ⑤ AGGREGATE BASE COURSE, TYPE B

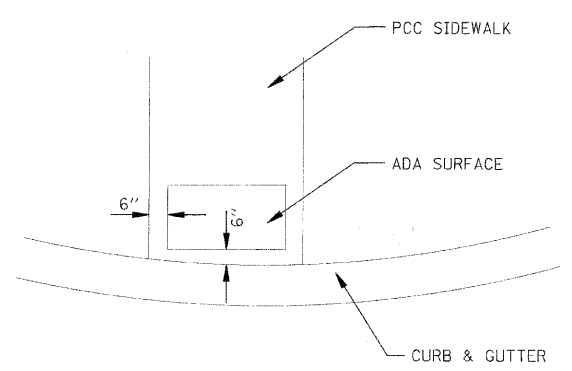
DRIVEWAYS/APRONS



NOTE:
 USE TWO NO. 5 RE-BARS FOR 10' ON EITHER SIDE OF ALL UTILITY TRENCHES. INSTALL 1" EXPANSION JOINT AT POINTS OF CURVATURE, AT CONSTRUCTION JOINTS AND AT A DISTANCE NOT TO EXCEED 60'. CONTRACTION JOINTS SHALL BE PLACED BETWEEN EXPANSION JOINTS AT DISTANCES NOT TO EXCEED 15'.

**COMBINATION CURB & GUTTER
 TYPE B-6.12**

**COMBINATION CURB & GUTTER
 TYPE B (MODIFIED)**



**DETECTABLE WARNING DETAIL
 NOT TO SCALE**

FILE NAME =	USER NAME =	DESIGNED -	REVISED -	STATE OF ILLINOIS DEPARTMENT OF TRANSPORTATION	HLR	SPRINGSGUTH ROAD IMPROVEMENTS DETAILS	F.A.U. R/FE. 2562	SECTION 10-00104-00-RS	COUNTY COOK	TOTAL SHEETS 21	SHEET NO. 14		
PLOT SCALE =	CHECKED -	REVISED -	SPRINGSGUTH ROAD				CONTRACT NO. 63500						
PLOT DATE =	DATE -	REVISED -	FED. ROAD DIST. NO. 1				ILLINOIS FED. AID PROJECT M-9003(T03)						
							SCALE:	SHEET NO. 1 OF 1 SHEETS		STA. TO STA.			