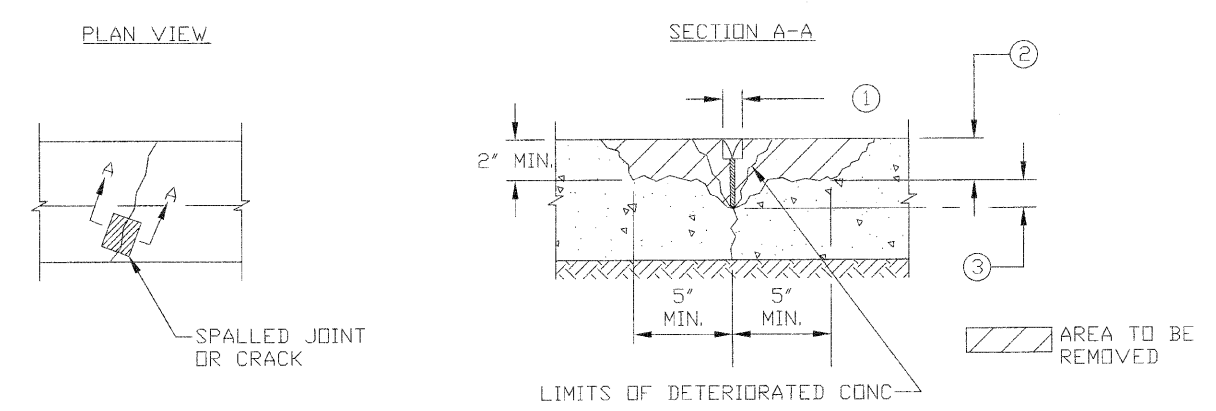


GENERAL NOTES:

1. COMPRESSION RELIEF MATERIAL EQUAL TO OR GREATER THAN EXISTING JOINT OR CRACK WIDTH, 1/4" MIN, 1" MAX MATERIAL TO BE INSTALLED AT THE TIME OF CONC PLACEMENT TO THE FULL DEPTH OF THE REPAIR. EDGING OF THE RESTORED CRACK IS REQUIRED.
2. REMOVAL LIMITS BY MILLING OR CHIPPING. SIDE OF REMOVAL MUST BE TAPERED 30°-60° FROM VERTICAL BY MILLING OR CHIPPING BY 30 LB CHIPPING HAMMER.
3. REMOVAL LIMITS OF UNSOUND CONC TO BE ACCOMPLISHED BY 30 LB CHIPPING HAMMER.

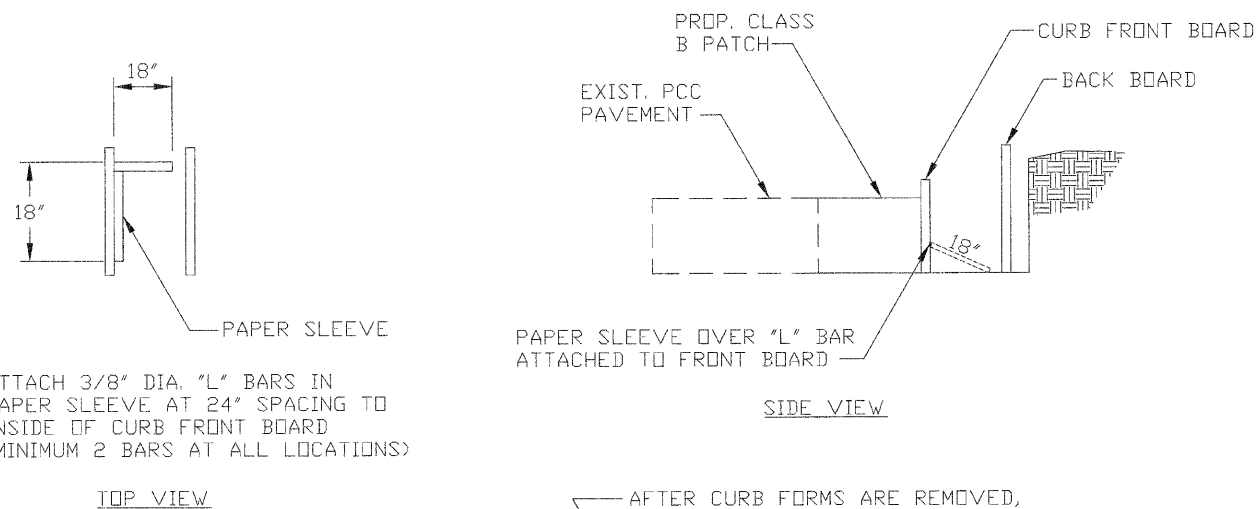
JOINT REPAIR AT ONE SIDE OF JOINT OR CRACK
(PAID FOR AS JOINT REPAIR)



GENERAL NOTES:

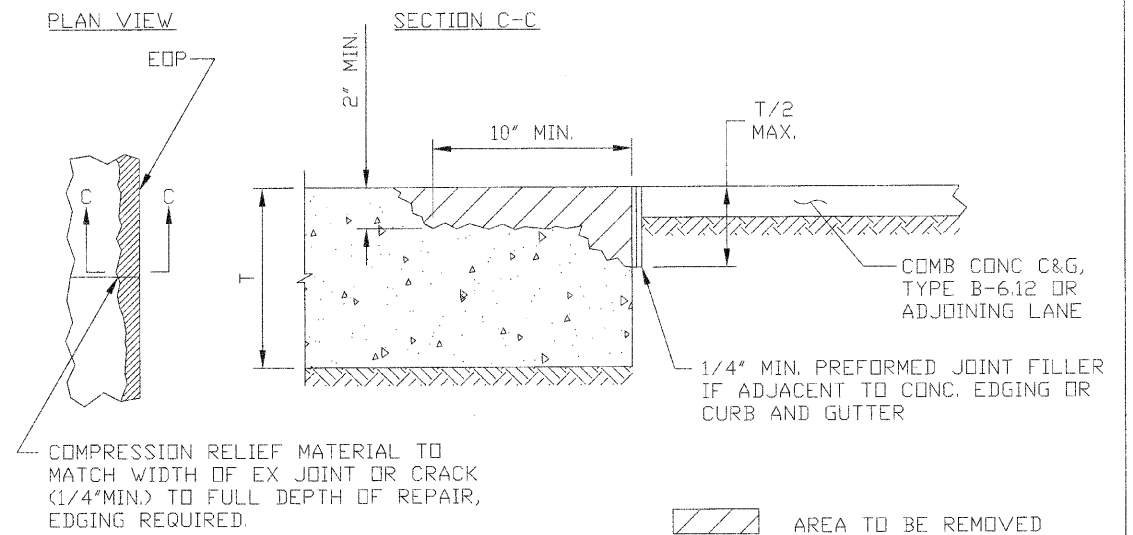
1. COMPRESSION RELIEF MATERIAL EQUAL TO OR GREATER THAN EXISTING JOINT OR CRACK WIDTH, 1/4" MIN, 1" MAX MATERIAL TO BE INSTALLED AT THE TIME OF CONC PLACEMENT TO THE FULL DEPTH OF THE REPAIR. EDGING OF THE RESTORED CRACK IS REQUIRED.
2. REMOVAL LIMITS BY MILLING OR CHIPPING. SIDE OF REMOVAL MUST BE TAPERED 30°-60° FROM VERTICAL BY MILLING OR CHIPPING BY 30 LB CHIPPING HAMMER.
3. REMOVAL LIMITS OF UNSOUND CONC TO BE ACCOMPLISHED BY 30 LB CHIPPING HAMMER.

JOINT REPAIR ACROSS THE JOINT OR CRACK
(PAID FOR AS JOINT REPAIR)



TIE BARS AND INSTALLATION SHALL BE INCLUDED IN COST OF COMBINATION CONCRETE CURB AND GUTTER REMOVAL AND REPLACEMENT

COMBINATION CONCRETE CURB AND GUTTER REMOVAL AND REPLACEMENT
ADJACENT TO CLASS B PATCH



GENERAL NOTE:

REMOVAL LIMITS BY MILLING OR CHIPPING. SIDE OF REMOVAL MUST BE TAPERED 30°-60° FROM VERTICAL BY MILLING OR CHIPPING BY 30 LB CHIPPING HAMMER.

JOINT REPAIR AT LONGITUDINAL JOINT OR CRACK
(PAID FOR AS LONGITUDINAL JOINT REPAIR)

FILE NAME = 09-02_Construction Details_Washington	DESIGNED - KCV	REVISED -	STATE OF ILLINOIS DEPARTMENT OF TRANSPORTATION	WASHINGTON STREET - IL RTE 38 TO IL RTE 59 CONSTRUCTION DETAILS	F.A.U. RTE. 1397	SECTION 09-0076-00-RP	COUNTY DUPAGE	TOTAL SHEETS 61	SHEET NO. 50	
PLOT DATE = 09/21/10	DRAWN - JBH	REVISED -			SCALE: N.T.S.	FED. ROAD DIST. NO. 1	ILLINOIS	FED. AID PROJECT M-9003(707)	CONTRACT NO. 63513	
thomas engineering group 238 south kenilworth avenue suite 100 oak park, il 60302 phone: 708-533-1700	CHECKED - KCV	REVISED -								
8/22/10	DATE - 08/02/10	REVISED -								