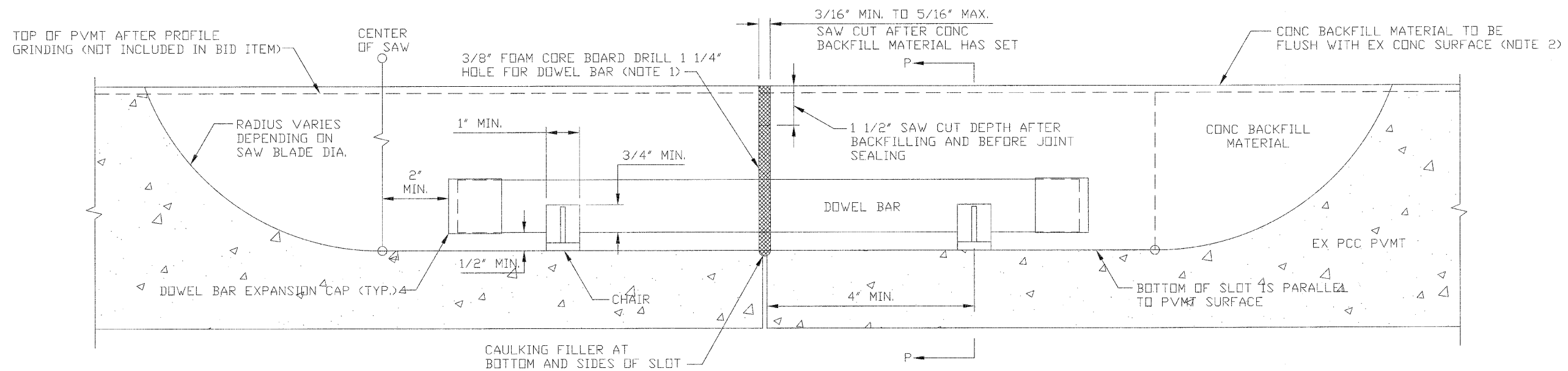
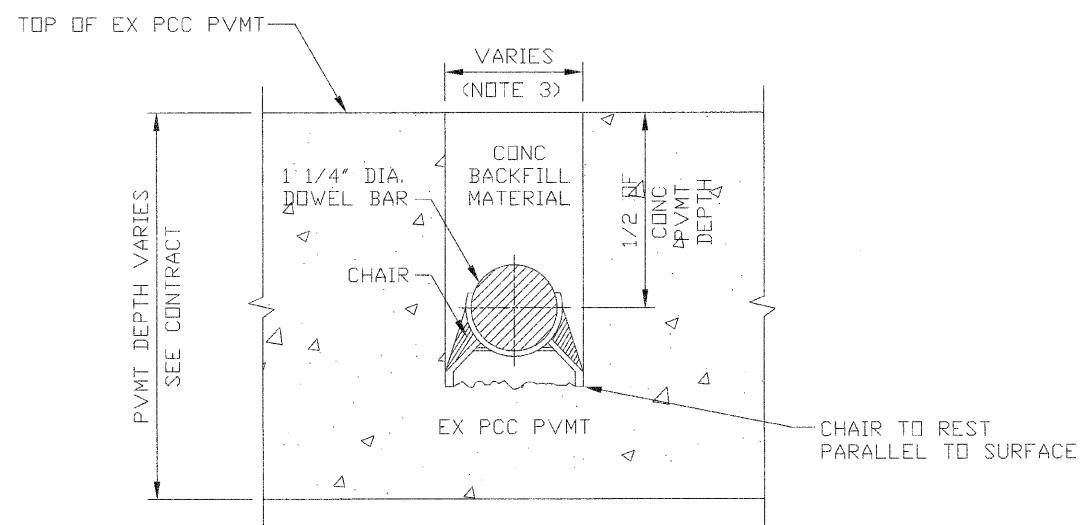


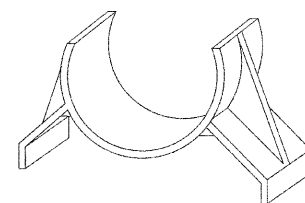
PLAN VIEW - DOWEL BARS, SPECIAL



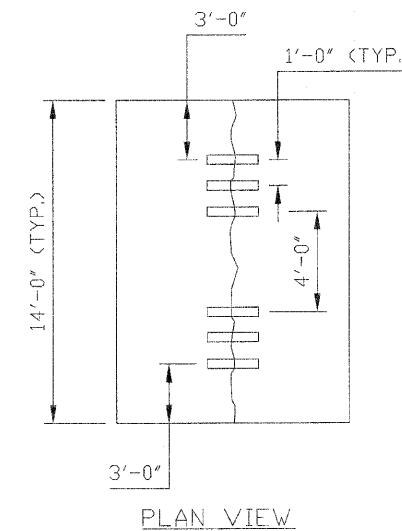
SECTION F-F



SECTION P-P



CHAIR DETAIL



PLAN VIEW

NOTES:

1. PLACE FOAM CORE BOARDS TO THE TOP OF PATCH.
2. UPON COMPLETION, THE FINISHED SURFACE OF THE CONC BACKFILL MATERIAL SHALL NOT BE BELOW EXISTING CONC SURFACE.
3. SLOT WIDTH SIZED FOR PROPOSED CHAIRS.

FILE NAME = 80-52\_Construction Details\_Washington  
 PLOT DATE = 8/02/10

**thomas** engineering group  
 238 south kenilworth avenue  
 suite 100  
 oak park, il 60362  
 phone: 708-533-1700

DESIGNED - KCV  
 DRAWN - KCV  
 CHECKED - DMM  
 DATE - 08/02/10

REVISED -  
 REVISED -  
 REVISED -  
 REVISED -

STATE OF ILLINOIS  
 DEPARTMENT OF TRANSPORTATION

WASHINGTON STREET - IL RTE 38 TO IL RTE 59  
 CONSTRUCTION DETAILS

SCALE: N.T.S.

F.A.U. RTE.	SECTION	COUNTY	TOTAL SHEETS	SHEET NO.
1397	09-00076-00-RP	DUPAGE	61	51
CONTRACT NO. 63513				
FED. ROAD DIST. NO. 1   ILLINOIS   FED. AID PROJECT M-8003(707)				