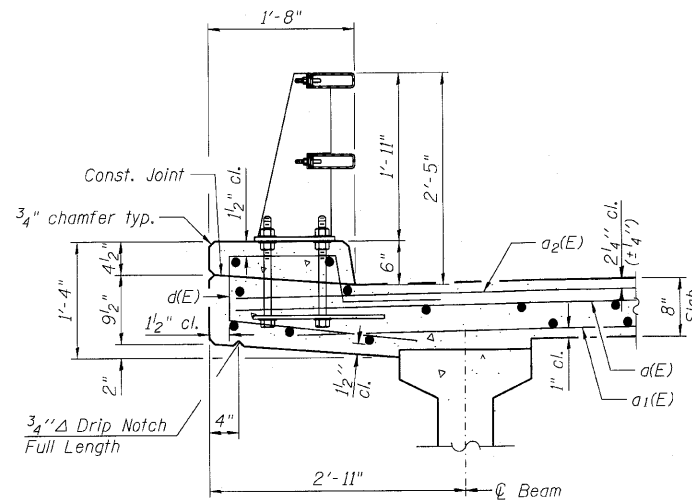
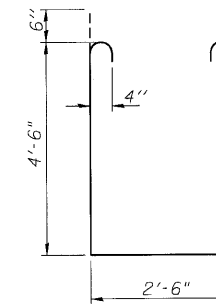
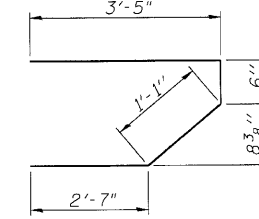
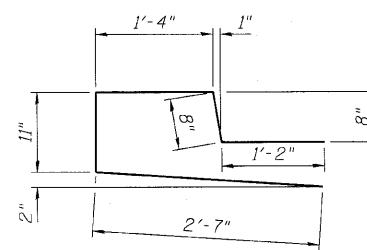
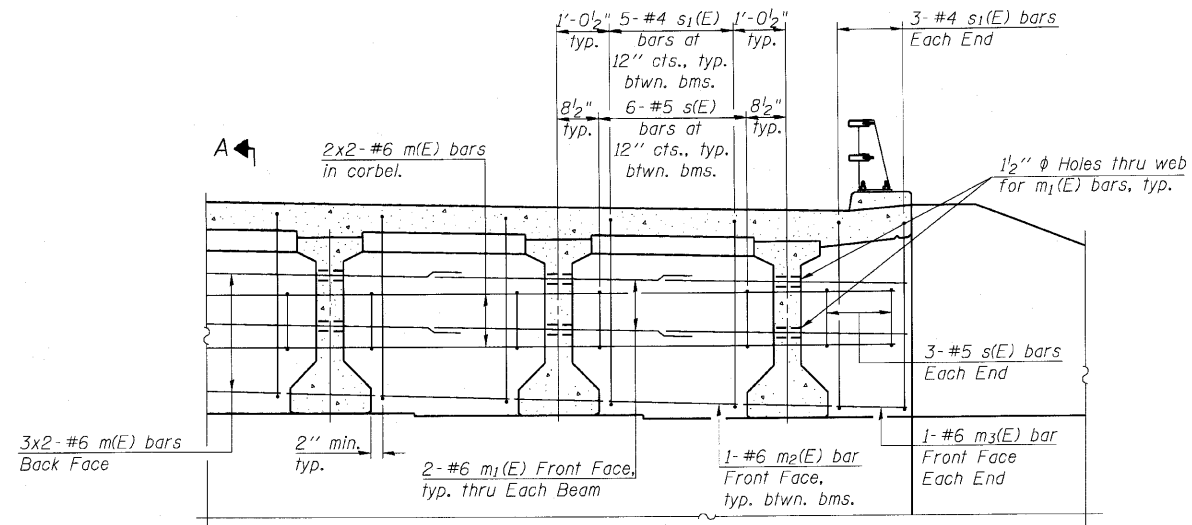
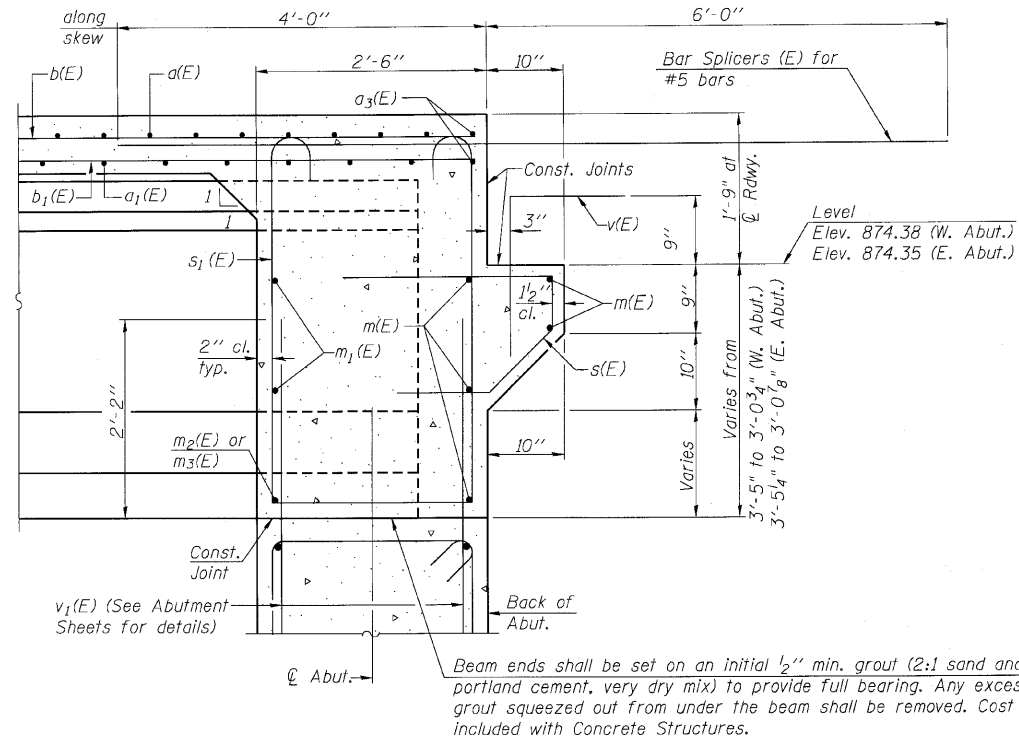
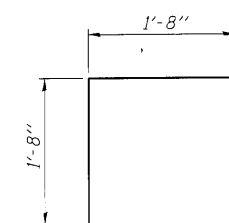


McHENRY COUNTY
DIVISION OF TRANSPORTATION



MINIMUM BAR LAP
#6 Bars = 3'-4"



SUPERSTRUCTURE
BILL OF MATERIAL

Bar	No.	Size	Length	Shape
a(E)	158	# 5	43' - 0"	—
a ₁ (E)	111	# 5	41' - 4"	—
a ₂ (E)	316	# 6	6' - 0"	—
a ₃ (E)	8	# 5	26' - 6"	—
b(E)	144	# 5	32' - 9"	—
b ₁ (E)	168	# 5	25' - 5"	—
d(E)	250	# 5	6' - 8"	L
m(E)	20	# 6	26' - 9"	—
m ₁ (E)	28	# 6	10' - 7"	—
m ₂ (E)	12	# 6	4' - 9"	—
m ₃ (E)	4	# 6	2' - 0"	—
s(E)	84	# 5	7' - 7"	J
s ₁ (E)	72	# 4	12' - 6"	I
v(E)	88	# 5	3' - 4"	Γ
Reinforcement Bars, Epoxy Coated		Pound	28,970	
Concrete Superstructure		Cu. Yds.	149.6	
Bridge Deck Grooving		Sq. Yd.	642	
Protective Coat		Sq. Yd.	743	

Bars indicated thus 1 x 15-#5 etc. indicates 1 line of bars with 15 lengths per line.

SUPERSTRUCTURE DETAILS
STRUCTURE NO. 056-3179

DESIGNED - AMK
CHECKED - EKM
DRAWN - RD
CHECKED - EKM



Ciorba Group, Inc.
CONSULTING ENGINEERS
5507 North Cumberland Avenue, Suite 402 Chicago, Illinois 60656
Tel. 773.775.4009 Fax 773.775.4014 Email chicago@ciorba.com

SHEET NO. S-8	F.A.S. RTE. 1233	SECTION 06-00321-00-BR	COUNTY McHENRY	TOTAL SHEETS 48	SHEET NO. 26
S-21 SHEETS			CONTRACT NO. 63516		
ILLINOIS FED. AID PROJECT					

rdanley

m:\proj\3381\3381.dwg\design\structural\sect\3381.dwg