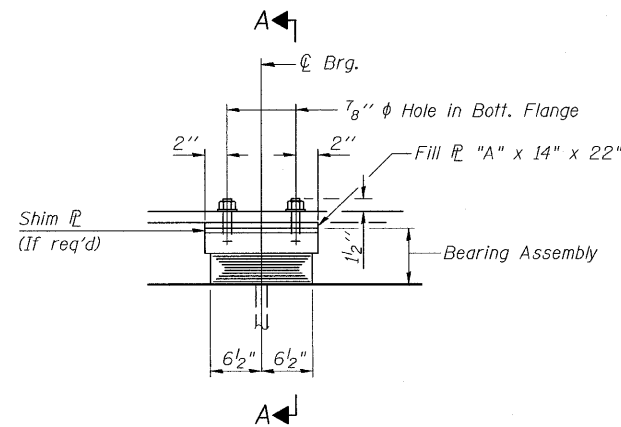
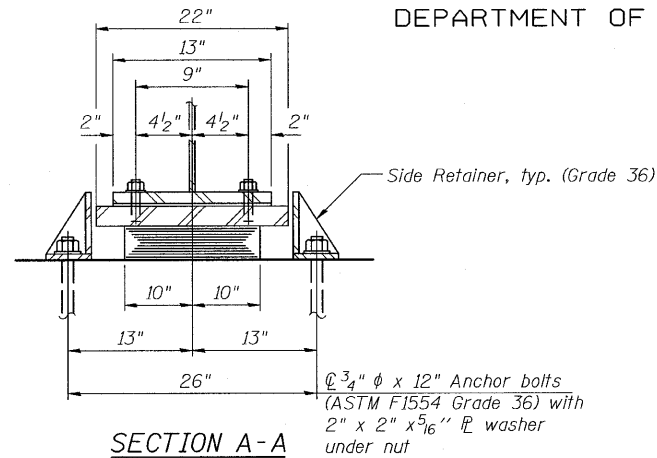


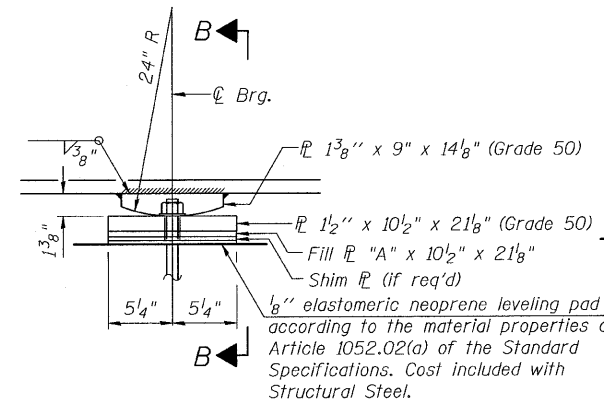
STATE OF ILLINOIS
DEPARTMENT OF TRANSPORTATION



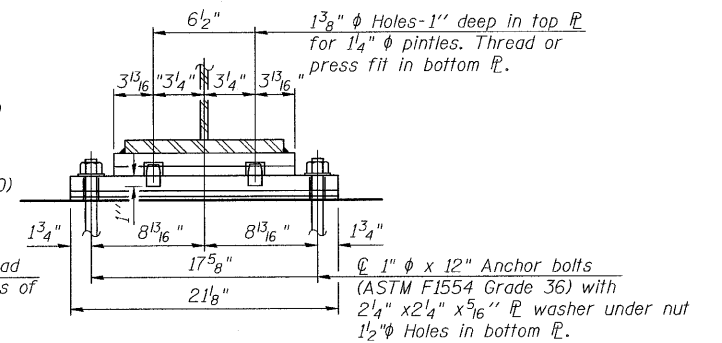
ELEVATION AT PIERS 1 & 3



SECTION A-A

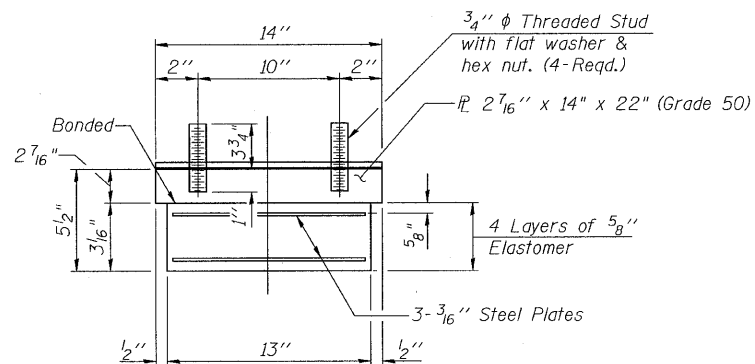


ELEVATION AT PIER 2



SECTION B-B

TYPE I ELASTOMERIC EXP. BRG.
(PIERS 1 & 3)



BEARING ASSEMBLY

Note:
Shim plates shall not be placed
under Bearing Assembly.

Notes:

Anchor bolts shall be ASTM F1554 all-thread (or an Engineer-approved alternate material) of the grade(s) and diameter(s) specified. ASTM A307 Grade C anchor bolts may be used in lieu of ASTM F1554 Grade 36 (Fy=36ksi). The corresponding specified grade of AASHTO M314 anchor bolts may be used in lieu of ASTM F1554.

Anchor bolts at fixed bearings may be either cast in place or installed in holes drilled after the supported member is in place.

Anchor bolts for side retainers may be cast in place or installed in holes drilled before or after members are in place.

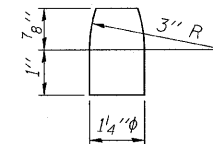
Drilled and set anchor bolts shall be installed according to Article 521.06 of the Standard Specifications.

Side retainers, shims and other steel members required for the bearing assembly shall be included in the cost of Elastomeric Bearing Assembly, Type I.

Fixed Bearings shall not be paid for separately but shall be included in the cost of Furnishing & Erecting Structural Steel.

Two 1/8 in. adjusting shims shall be provided for each bearing in addition to all other plates or shims and placed as shown on bearing details.

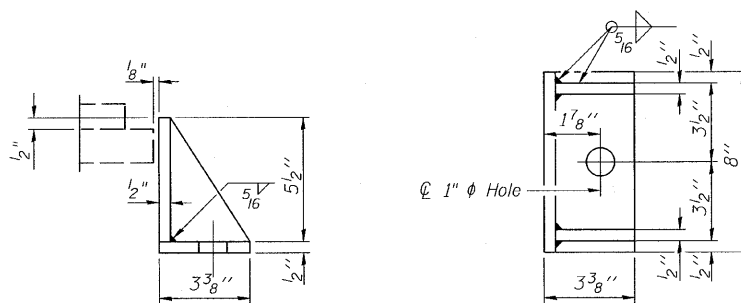
FIXED BEARING
(PIER 2)
(6 Required)



PINTLE
(GRADE 50)

FILL PLATES

Location	Beam	"A"
Pier 1	3	3/4"
Pier 1	4	1/2"
Pier 2	3	1/2"
Pier 2	4	7/8"
Pier 3	5	1/2"
Pier 3	6	1/8"



SIDE RETAINER

Equivalent rolled angle with stiffeners
will be allowed in lieu of welded plates.

BILL OF MATERIAL

Item	Unit	Total
Elastomeric Bearing Assembly Type I	Each	12
Anchor Bolts 3/4"	Each	24
Anchor Bolts 1"	Each	12

BEARING DETAILS
S.N. 101-0120

DESIGNED SCD
CHECKED DRB
DRAWN THW
CHECKED SCD



IE CONSULTANTS, INC
6420 SOUTH SIXTH STREET
SPRINGFIELD, ILLINOIS 62712
TEL. (217) 529-8027
FAX (217) 529-4543
WWW.IE-CONSULTANTS.COM

I-2E-1

11-1-09

SHEET NO.	F.A.P. RTE.	SECTION	COUNTY	TOTAL SHEETS	SHEET NO.
16 OF 34 SHEETS	301	(1-1HB-1)D	WINNEBAGO	55	32
CONTRACT NO. 64E11					
ILLINOIS FED. AID PROJECT					