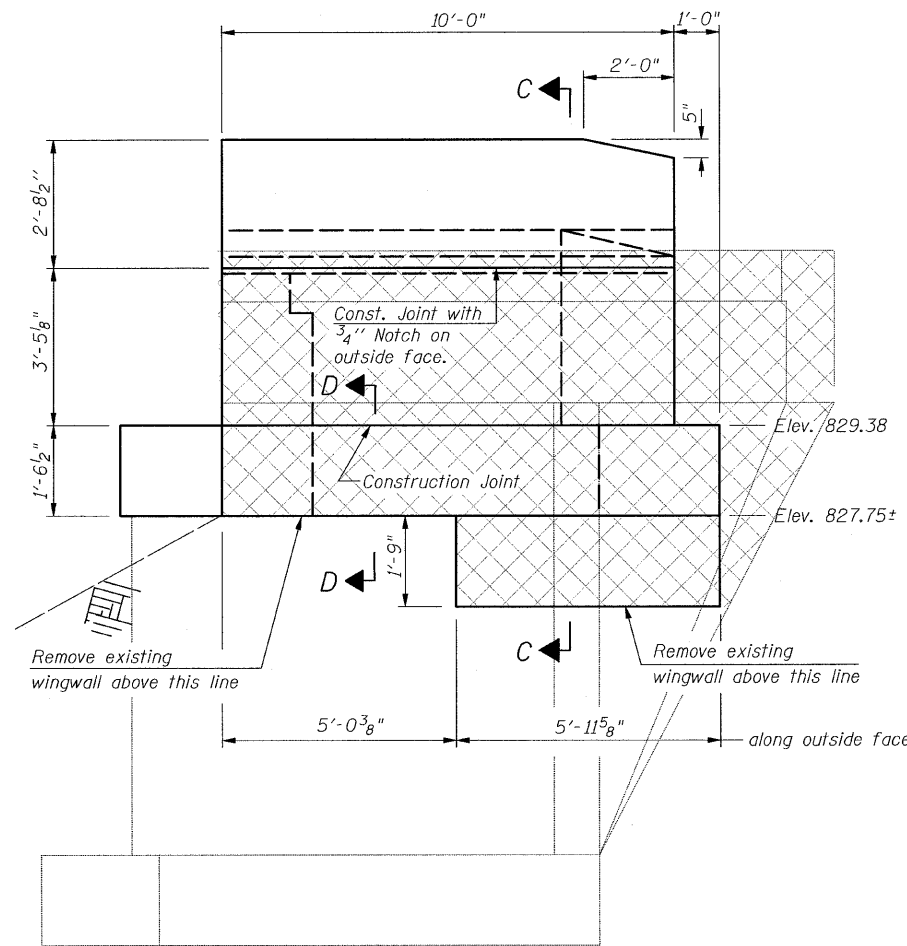
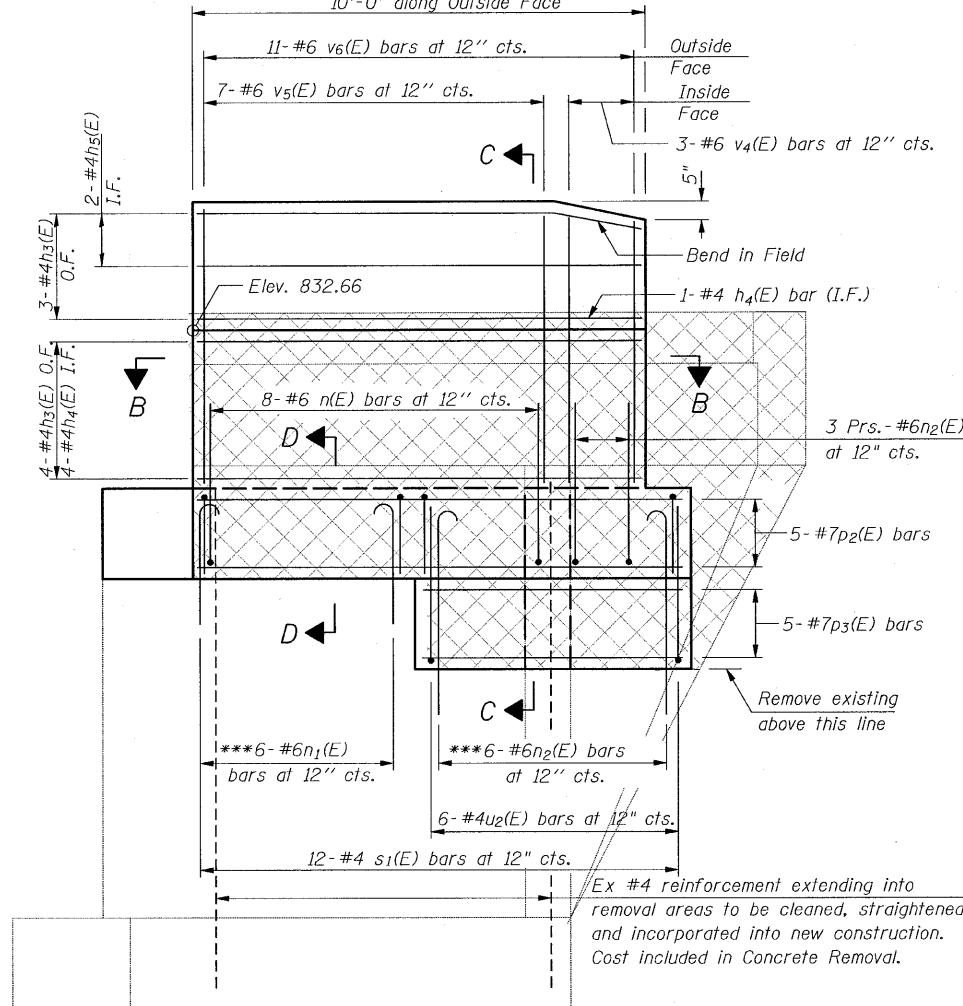


STATE OF ILLINOIS  
DEPARTMENT OF TRANSPORTATION  
10'-0" along Outside Face

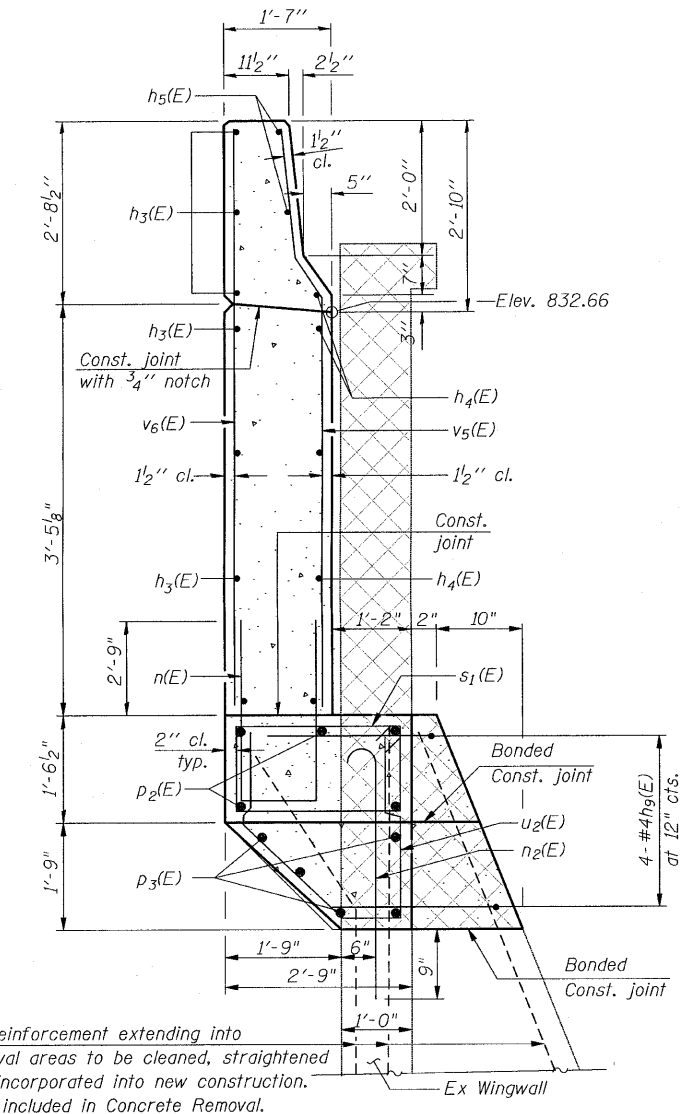


**WING WALL ELEVATION**  
Showing Dimensions along O.F.



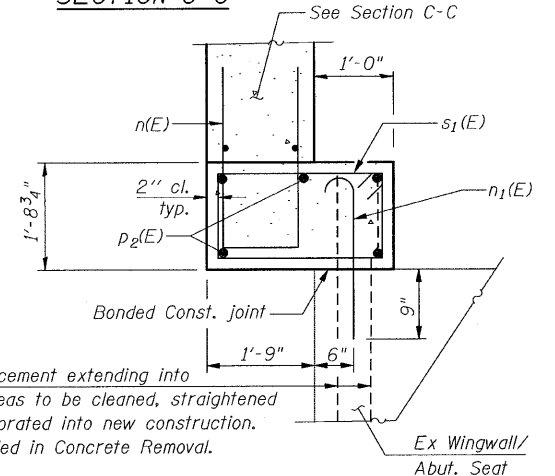
**SOUTHWEST WINGWALL ELEVATION**  
Showing Reinforcement

\*\*\* Epoxy Grouting n<sub>1</sub>(E) & n<sub>2</sub>(E) bars in 9" min. drilled holes according to Art. 584 of the Standard Specifications. Cost included with Reinforcement Bars (Epoxy Coated).



**SECTION C-C**

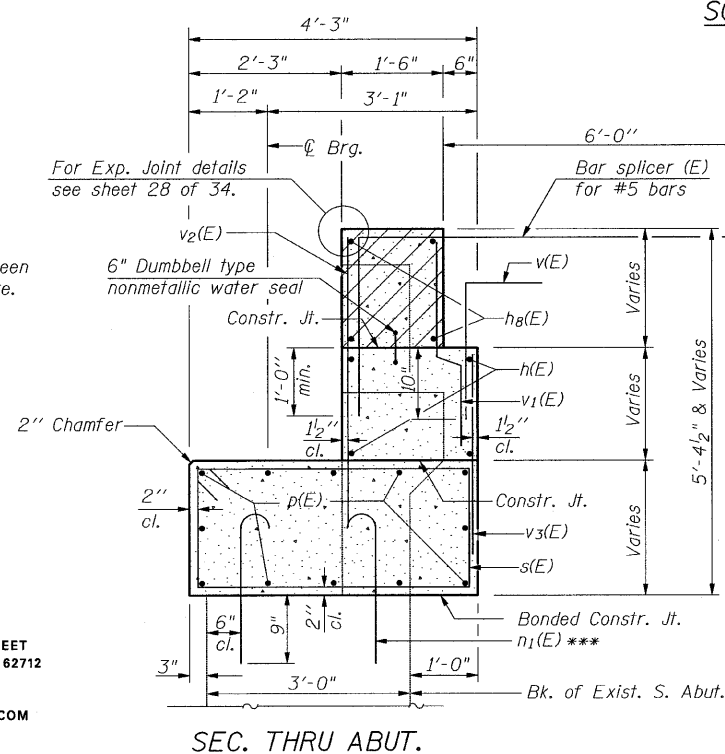
Ex reinforcement extending into removal areas to be cleaned, straightened and incorporated into new construction. Cost included in Concrete Removal.



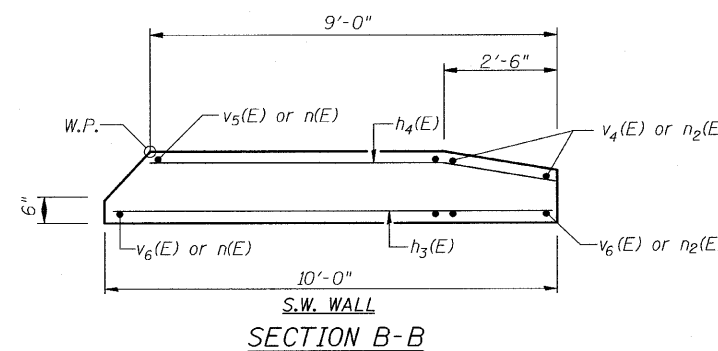
**SECTION D-D**

**SOUTHWEST WINGWALL - SOUTH ABUTMENT**  
S.N. 101-0120

Notes:  
Hatched area to be poured after superstructure false work has been removed. Quantity of concrete included with Concrete Superstructure.  
Space reinforcement in cap to miss anchor bolts.  
Pour steps monolithically with cap.



**SEC. THRU ABUT.**



**SECTION B-B**

DESIGNED	SCD
CHECKED	DRB
DRAWN	THW
CHECKED	SCD



IE CONSULTANTS, INC  
6420 SOUTH SIXTH STREET  
SPRINGFIELD, ILLINOIS 62712  
TEL. (217) 529-8027  
FAX (217) 529-4543  
WWW.IE-CONSULTANTS.COM

SHEET NO. 19 OF 34 SHEETS	F.A.P. RTE.	SECTION	COUNTY	TOTAL SHEETS	SHEET NO.
	301	(1-1HB-1)D	WINNEBAGO	55	35
			CONTRACT NO. 64E11		
ILLINOIS FED. AID PROJECT					