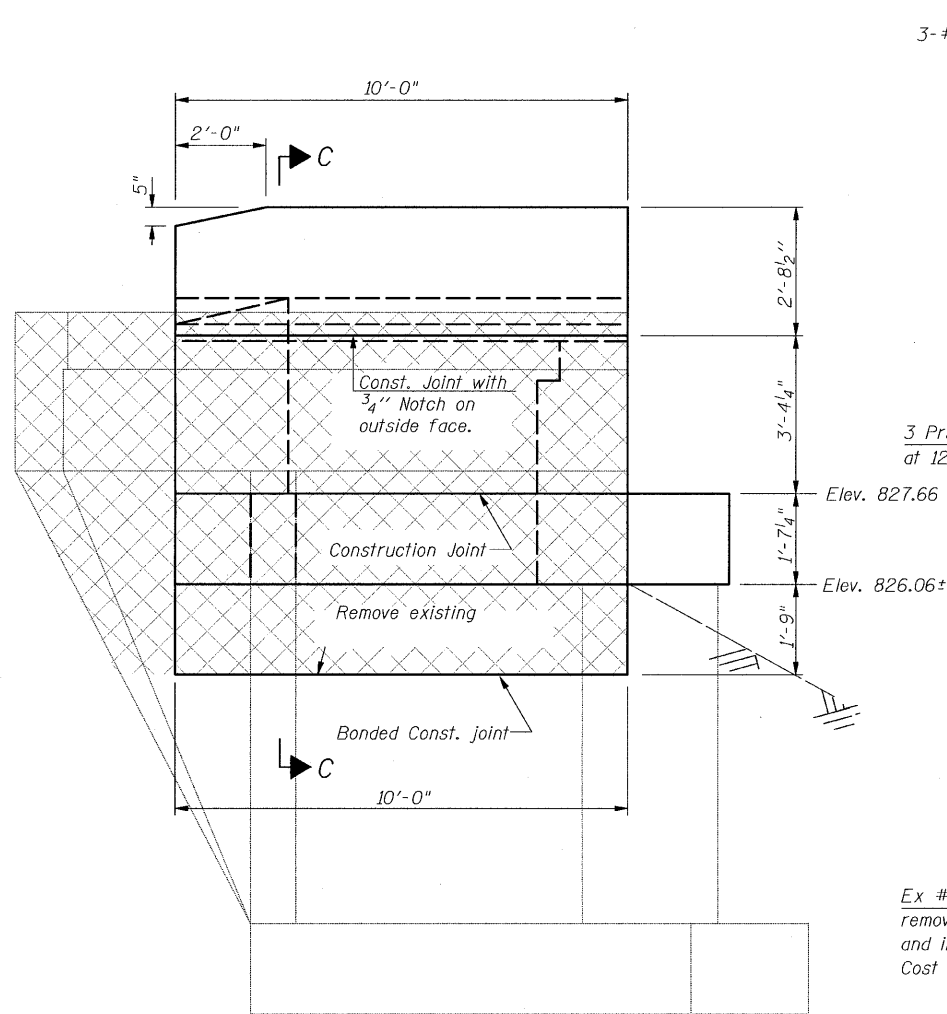
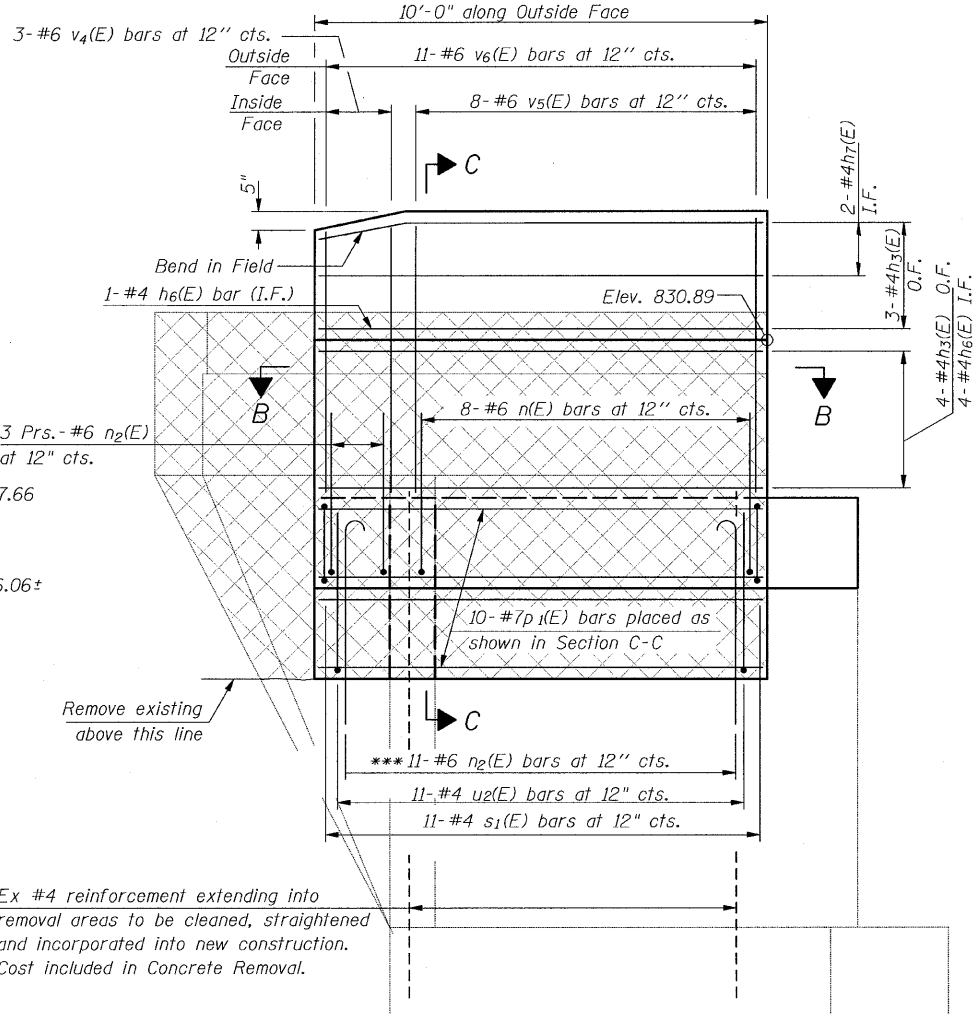


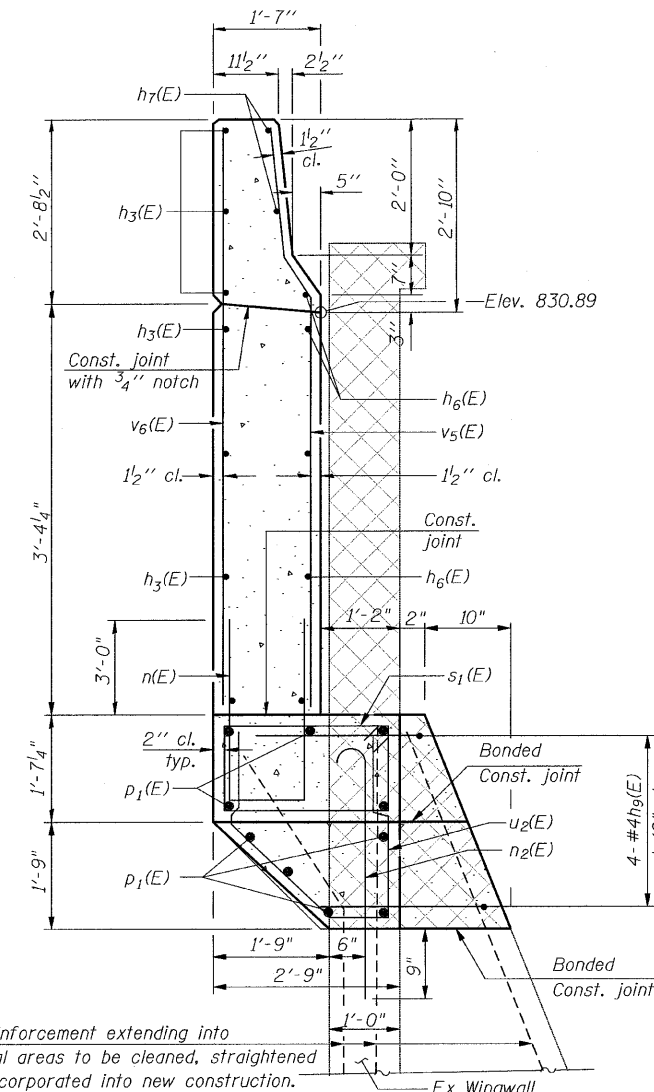
STATE OF ILLINOIS
DEPARTMENT OF TRANSPORTATION



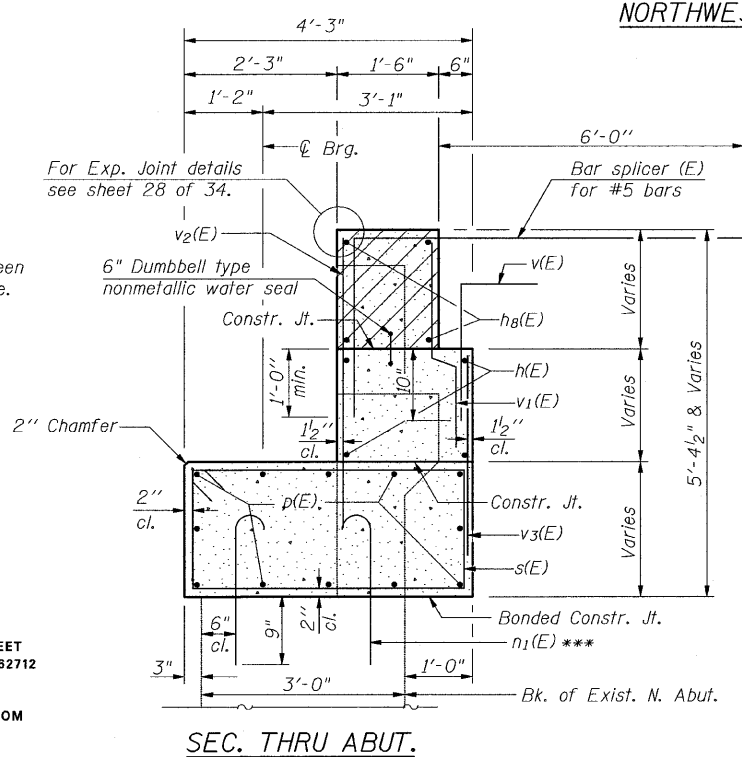
WING WALL ELEVATION
Showing Dimensions along O.F.



NORTHWEST WINGWALL ELEVATION
Showing Reinforcement

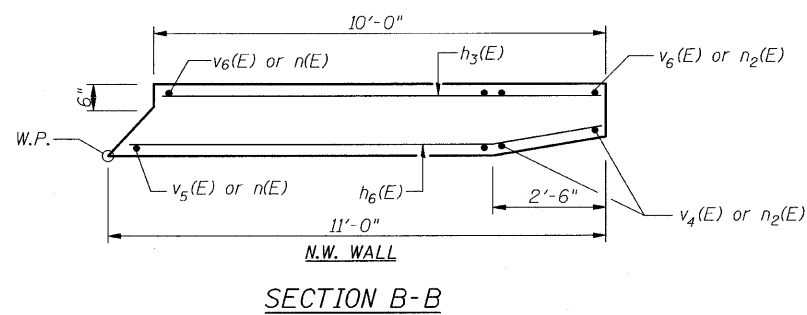


SECTION C-C



SEC. THRU ABUT.

*** Epoxy Grouting n₁(E) & n₂(E) bars in 9" min. drilled holes according to Art. 584 of the Standard Specifications. Cost included with Reinforcement Bars (Epoxy Coated).



NORTHWEST WINGWALL - NORTH ABUTMENT
S.N. 101-0120

Notes:
Hatched area to be poured after superstructure false work has been removed. Quantity of concrete included with Concrete Superstructure. Space reinforcement in cap to miss anchor bolts. Pour steps monolithically with cap.

DESIGNED	SCD
CHECKED	DRB
DRAWN	THW
CHECKED	SCD

ie CONSULTANTS, INC
6420 SOUTH SIXTH STREET
SPRINGFIELD, ILLINOIS 62712
TEL. (217) 529-8027
FAX (217) 529-4543
WWW.IE-CONSULTANTS.COM

SHEET NO. 22 OF 34 SHEETS	F.A.P. RTE.	SECTION	COUNTY	TOTAL SHEETS	SHEET NO.
	301	(1-1HB-1)D	WINNEBAGO	55	38
CONTRACT NO. 64E11					
ILLINOIS FED. AID PROJECT					