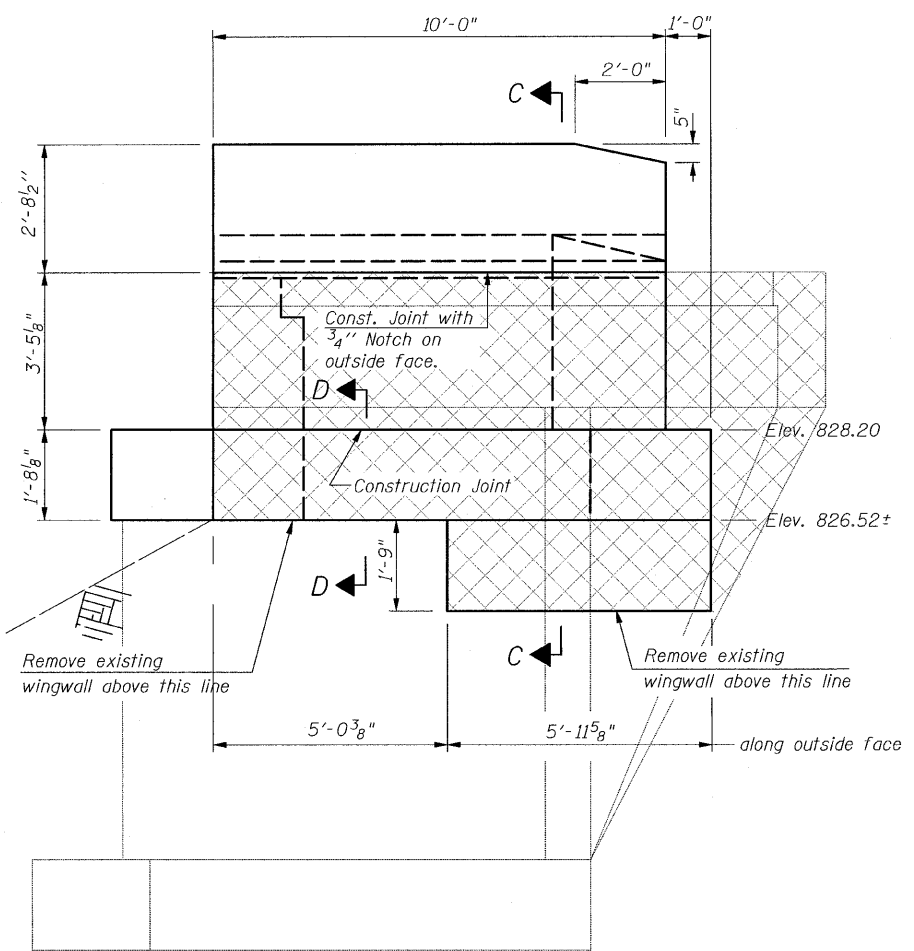
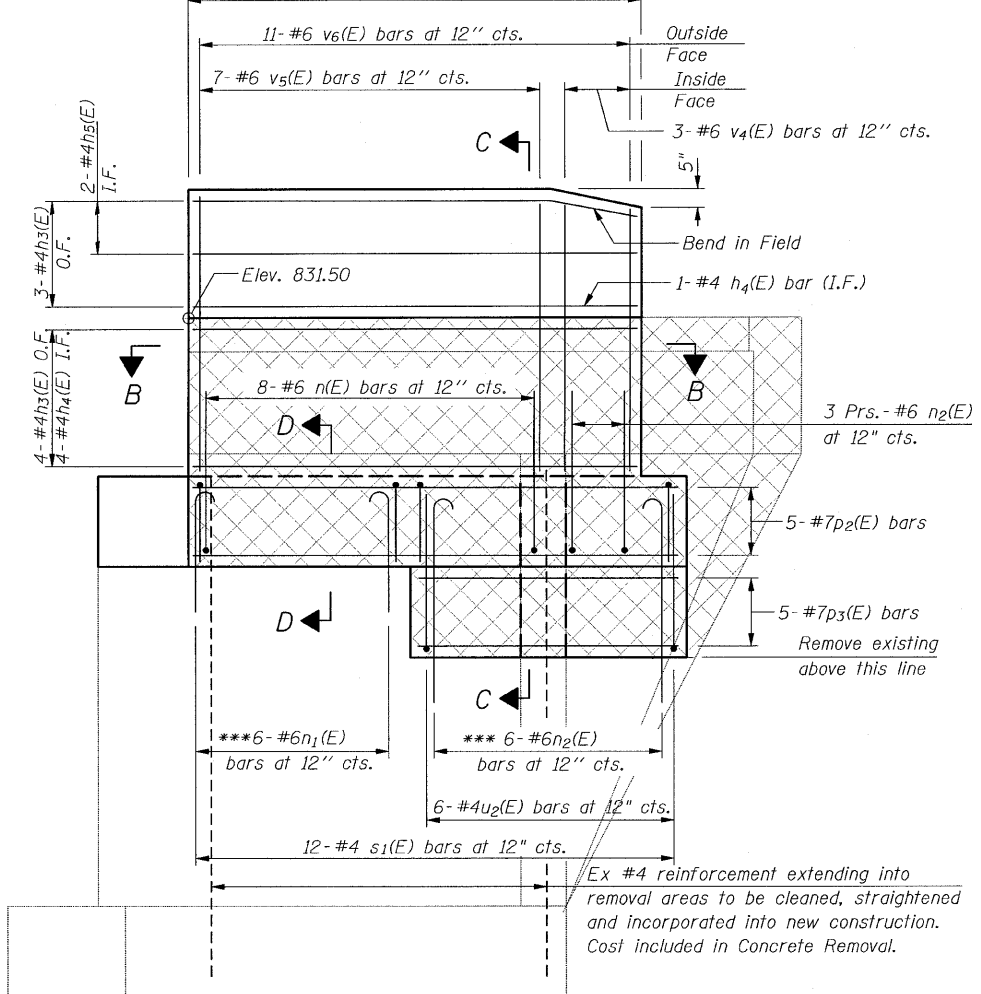


STATE OF ILLINOIS
DEPARTMENT OF TRANSPORTATION
10'-0" along Outside Face

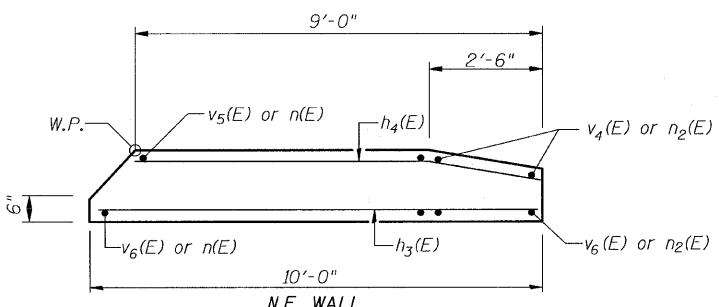


WING WALL ELEVATION
Showing Dimensions along O.F.

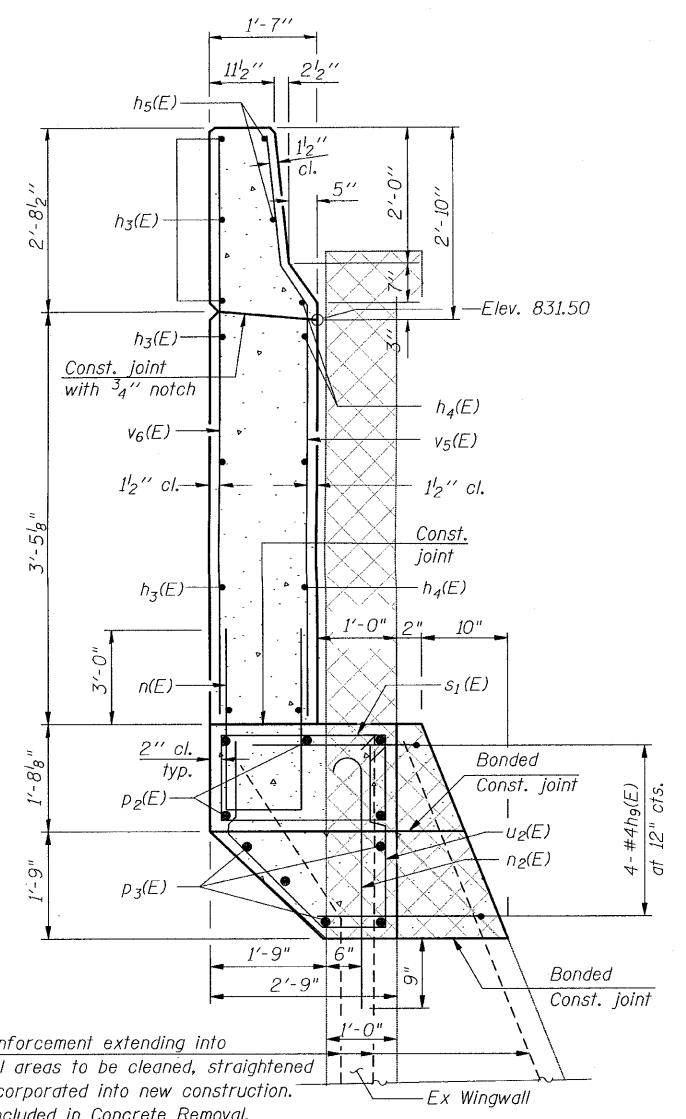


NORTHEAST WINGWALL ELEVATION
Showing Reinforcement

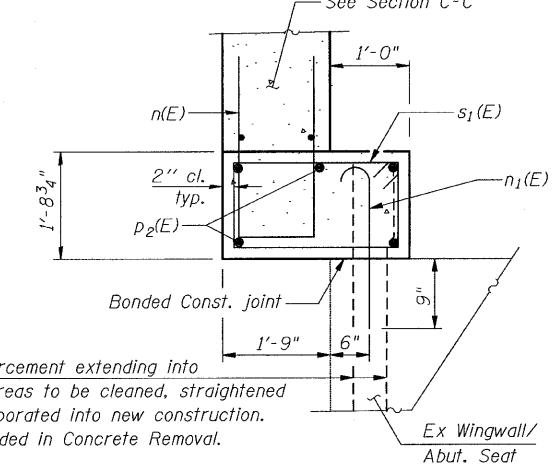
*** Epoxy Grouting n₁(E) & n₂(E) bars in 9" min. drilled holes according to Art. 584 of the Standard Specifications. Cost included with Reinforcement Bars (Epoxy Coated).



SECTION B-B



SECTION C-C



SECTION D-D

NORTHEAST WINGWALL - NORTH ABUTMENT
S.N. 101-0120

DESIGNED	SCD
CHECKED	DRB
DRAWN	THW
CHECKED	SCD

ie
consultants

IE CONSULTANTS, INC
6420 SOUTH SIXTH STREET
SPRINGFIELD, ILLINOIS 62712
TEL. (217) 529-8027
FAX (217) 529-4543
WWW.IE-CONSULTANTS.COM

SHEET NO. 23 OF 34 SHEETS	F.A.P. RTE.	SECTION	COUNTY	TOTAL SHEETS	SHEET NO.
	301	(1-1HB-1)D	WINNEBAGO	55	39
CONTRACT NO. 64E11					
ILLINOIS FED. AID PROJECT					