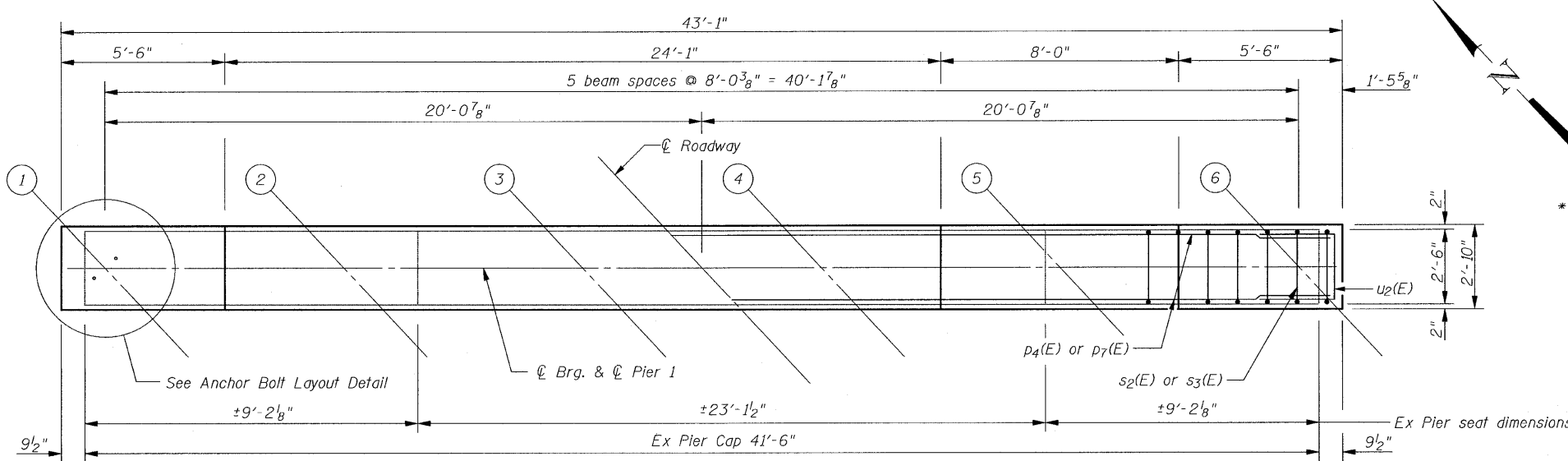
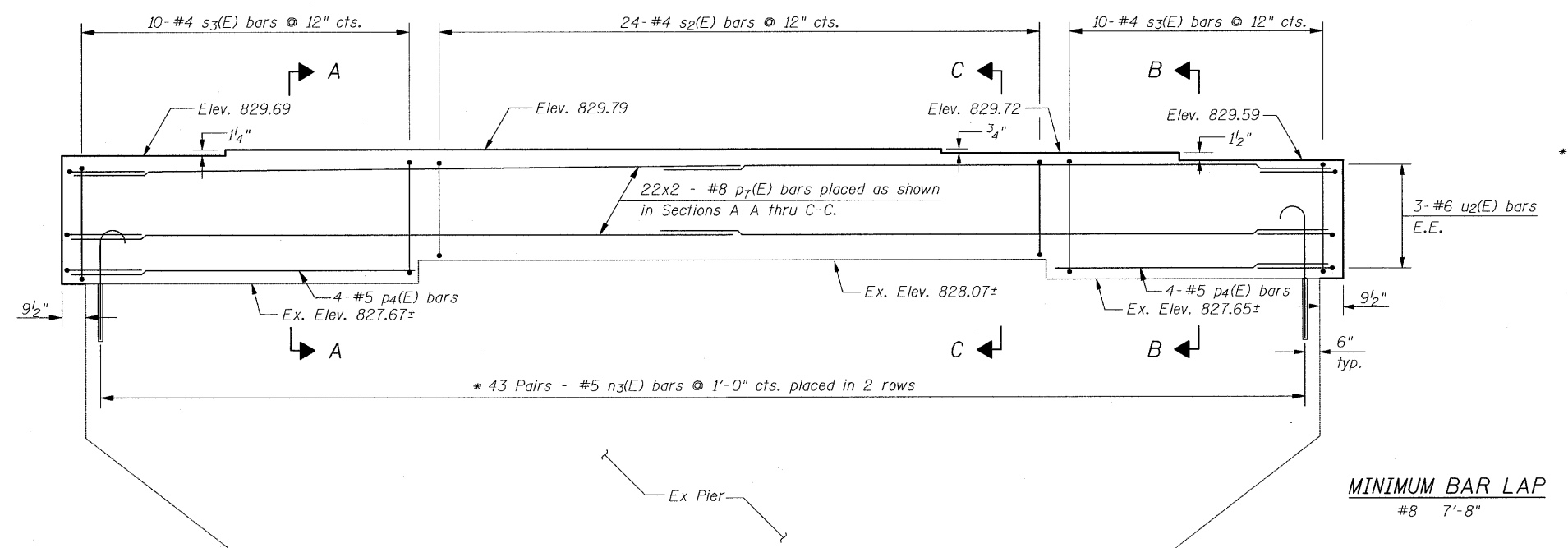


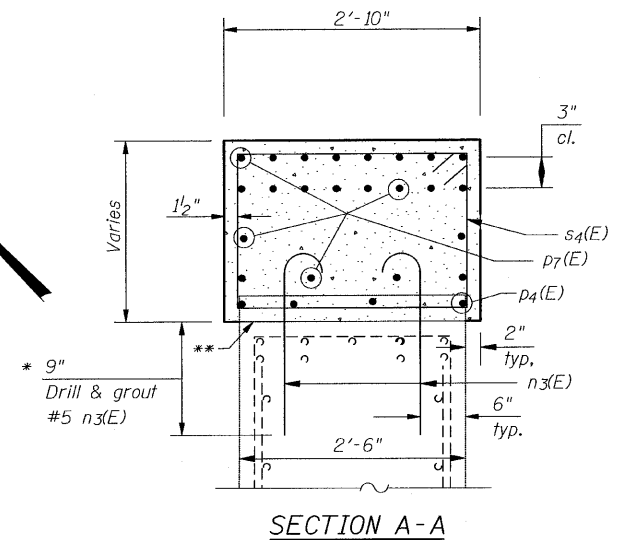
STATE OF ILLINOIS  
DEPARTMENT OF TRANSPORTATION



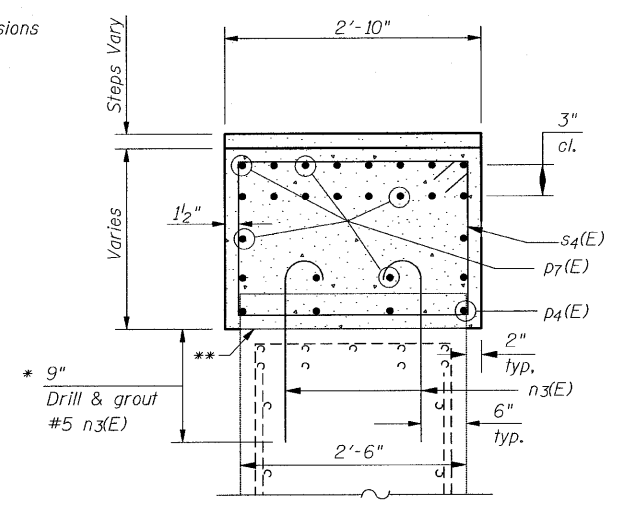
PLAN



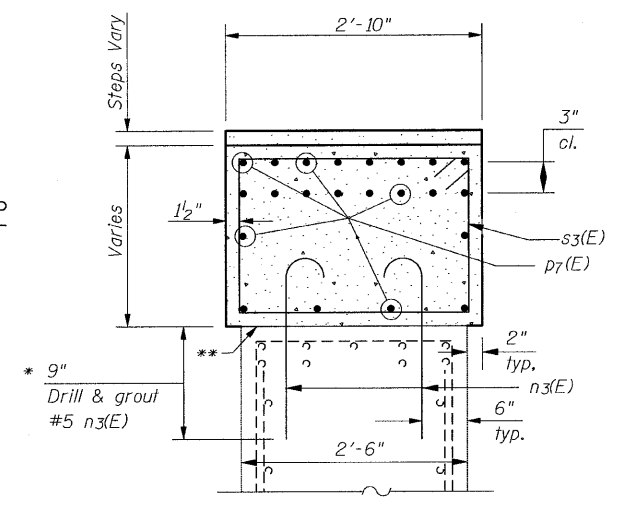
ELEVATION  
(Looking North)



SECTION A-A



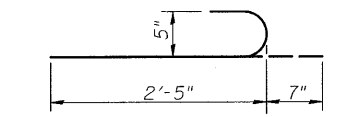
SECTION B-B



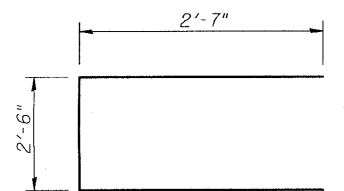
SECTION C-C

\*Epoxy Grouting n3(E) bars in 9" min. drilled holes according to Art. 584 of the Standard Specifications. Cost included with Reinforcement Bars (Epoxy Coated).

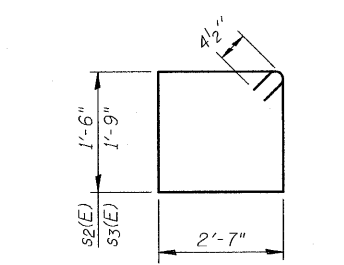
\*\* Indicates Bonded Const. Jt.



BAR n3(E)



BAR u2(E)



BAR s2(E) or s3(E)

PIER  
BILL OF MATERIAL

Bar	No.	Size	Length	Shape	
n3(E)	86	#5	3'-0"	U	
p4(E)	8	#5	9'-8"	—	
p7(E)	44	#8	25'-3"	—	
s2(E)	24	#4	8'-11"	□	
s3(E)	20	#4	9'-5"	□	
u2(E)	6	#6	7'-8"	—	
Concrete Structures				Cu. Yd.	8.5
Reinforcement Bars, Epoxy Coated				Pound	3,660

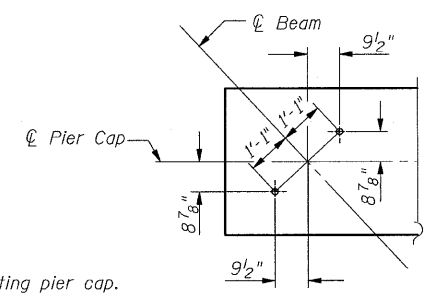
Notes:  
Bars indicated thus 1x2-#5 indicates 1 line of bars with 2 lengths per line.  
Space reinforcement in cap to miss anchor bolts.  
Pour steps monolithically with cap.

PIER 1  
S.N. 101-0120

DESIGNED	SCD
CHECKED	DRB
DRAWN	THW
CHECKED	SCD

**ie**  
consultants  
IE CONSULTANTS, INC  
6420 SOUTH SIXTH STREET  
SPRINGFIELD, ILLINOIS 62712  
TEL. (217) 529-8027  
FAX (217) 529-4543  
WWW.IE-CONSULTANTS.COM

Note:  
Contractor shall sound top of entire existing pier cap.  
Any loose or unsound concrete shall be removed.  
Cost included in Concrete Structures



ANCHOR BOLT  
LAYOUT DETAIL

SHEET NO. 24 OF 34 SHEETS	F.A.P. RTE.	SECTION	COUNTY	TOTAL SHEETS	SHEET NO.
	301	(1-1HB-1)D	WINNEBAGO	55	40
CONTRACT NO. 64E11					
ILLINOIS FED. AID PROJECT					