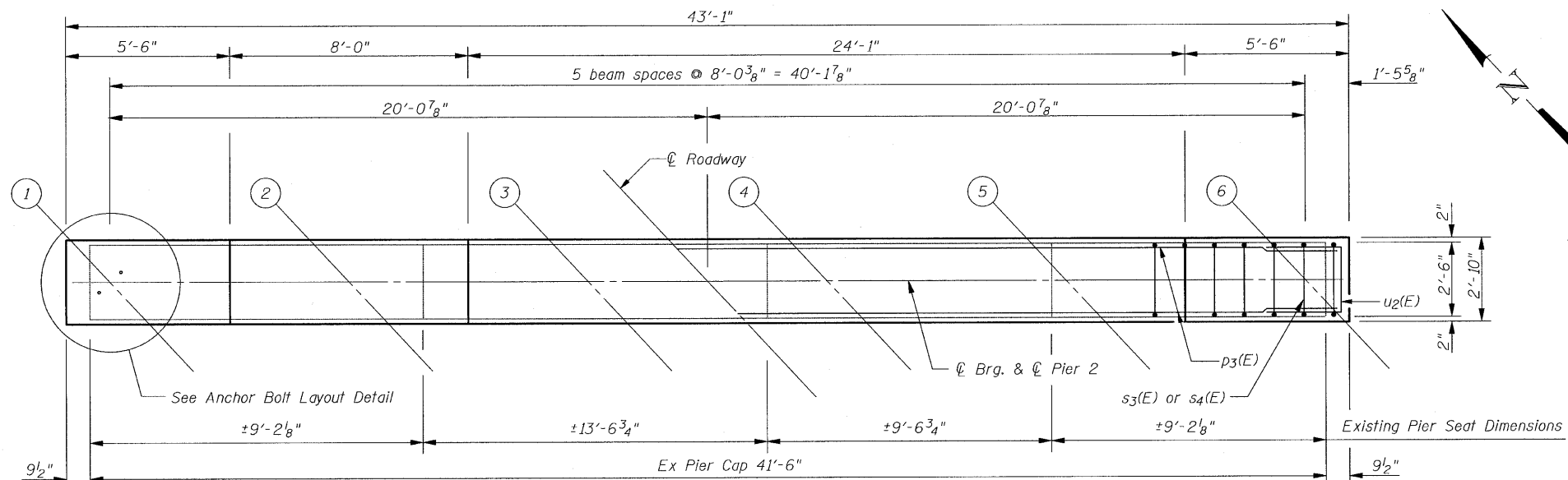
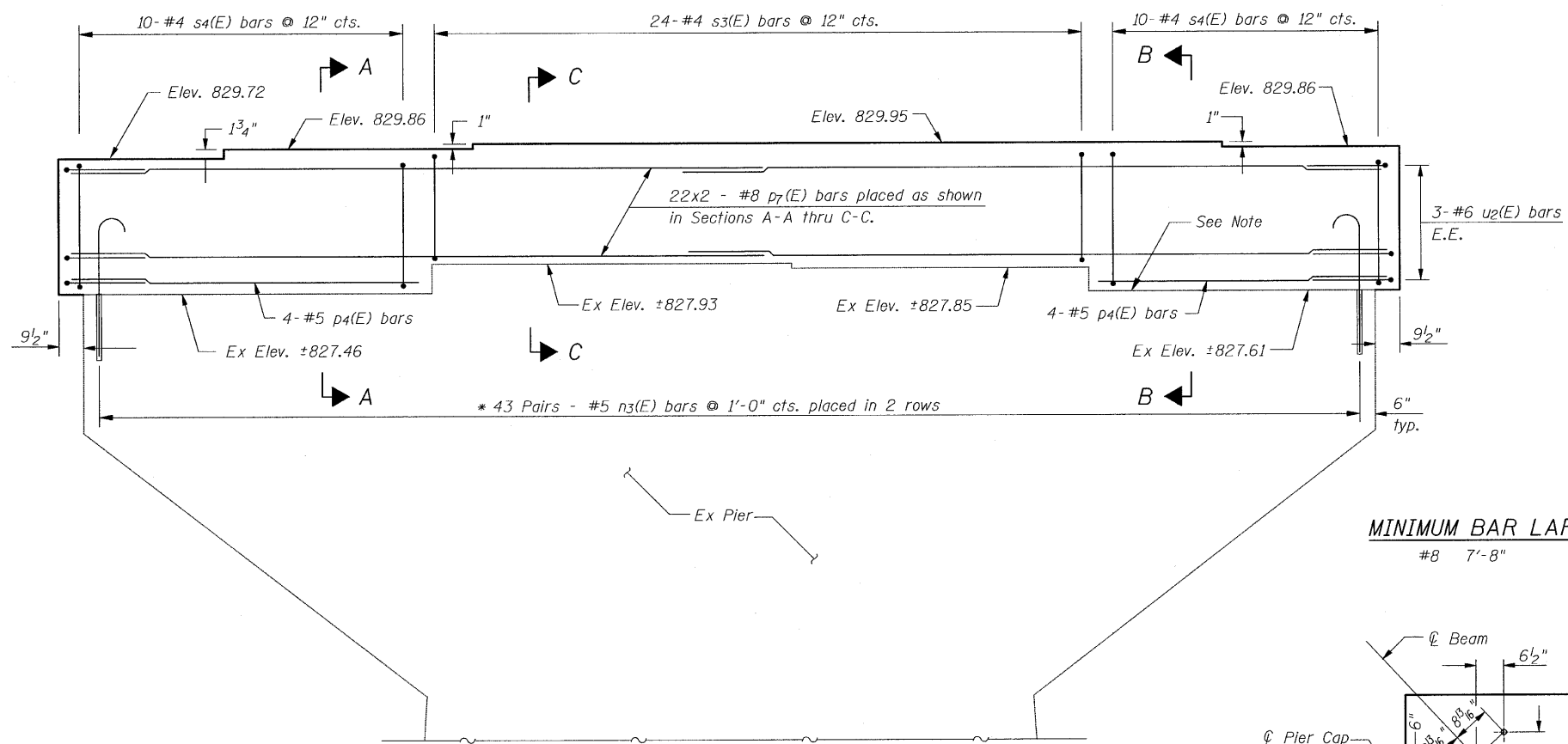


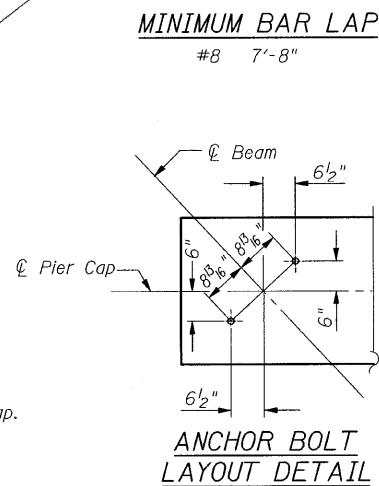
STATE OF ILLINOIS
DEPARTMENT OF TRANSPORTATION



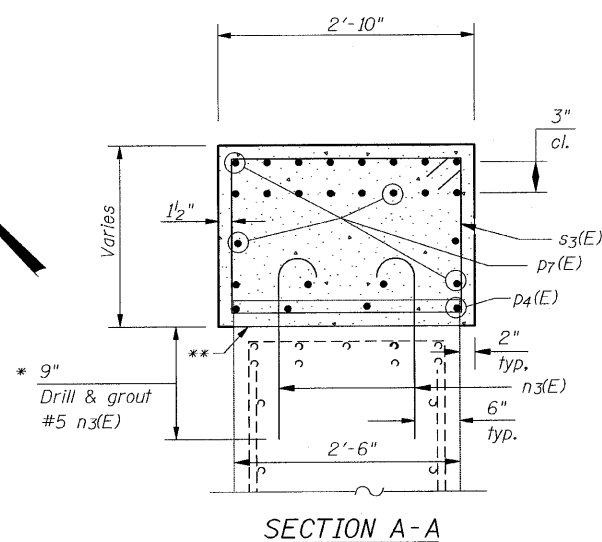
PLAN



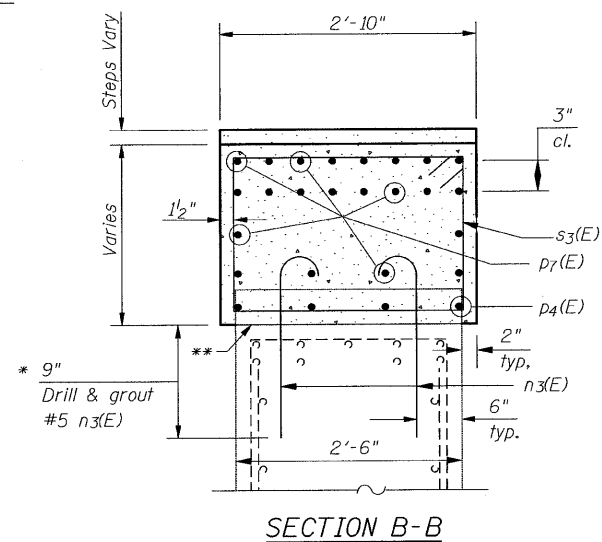
ELEVATION
(Looking North)



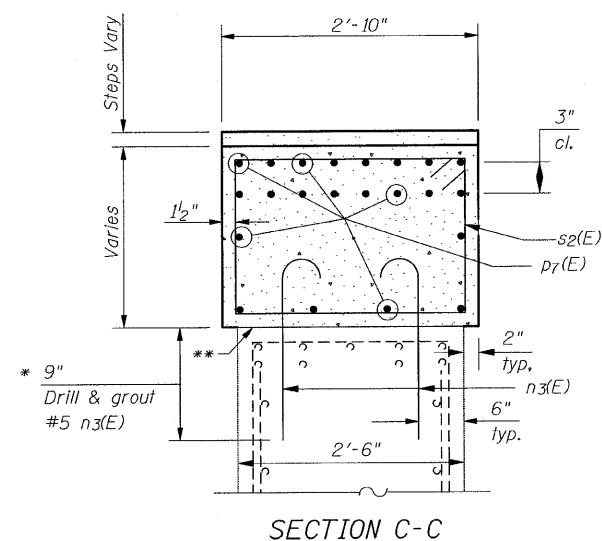
Note:
Contractor shall sound top of entire existing pier cap.
Any loose or unsound concrete shall be removed.
Cost included in Concrete Structures



SECTION A-A



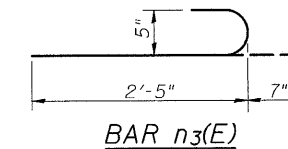
SECTION B-B



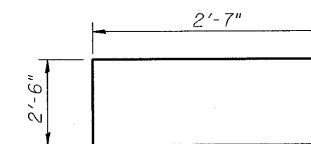
SECTION C-C

*Epoxy Grouting n3(E) bars in 9" min. drilled holes according to Art. 584 of the Standard Specifications. Cost included with Reinforcement Bars (Epoxy Coated).

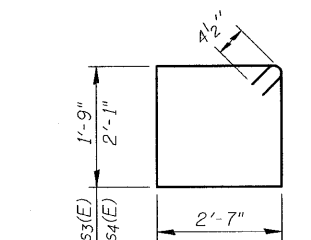
** Indicates Bonded Const. Jt.



BAR n3(E)



BAR u2(E)



BAR s3(E) or s4(E)

PIER
BILL OF MATERIAL

Bar	No.	Size	Length	Shape
n3(E)	86	#5	3'-0"	U
p4(E)	8	#5	9'-8"	—
p7(E)	44	#8	25'-3"	—
s3(E)	24	#4	9'-5"	□
s4(E)	20	#4	10'-1"	□
u2(E)	6	#6	7'-8"	—
Concrete Structures		Cu. Yd.	9.9	
Reinforcement Bars, Epoxy Coated		Pound	3,680	

Notes:
Bars indicated thus 1x2-#5 indicates 1 line of bars with 2 lengths per line.
Space reinforcement in cap to miss anchor bolts.
Pour steps monolithically with cap.

PIER 2
S.N. 101-0120

DESIGNED	SCD
CHECKED	DRB
DRAWN	THW
CHECKED	SCD

ie consultants
IE CONSULTANTS, INC
6420 SOUTH SIXTH STREET
SPRINGFIELD, ILLINOIS 62712
TEL. (217) 529-8027
FAX (217) 529-4543
WWW.IE-CONSULTANTS.COM

SHEET NO. 25 OF 34 SHEETS	F.A.P. RTE.	SECTION	COUNTY	TOTAL SHEETS	SHEET NO.
	301	(1-1HB-1)D	WINNEBAGO	55	41
CONTRACT NO. 64E11					
ILLINOIS FED. AID PROJECT					