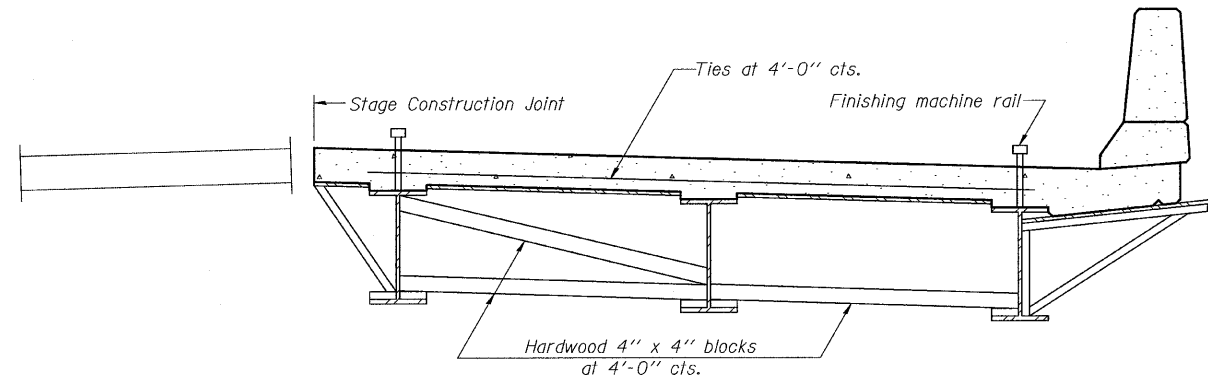
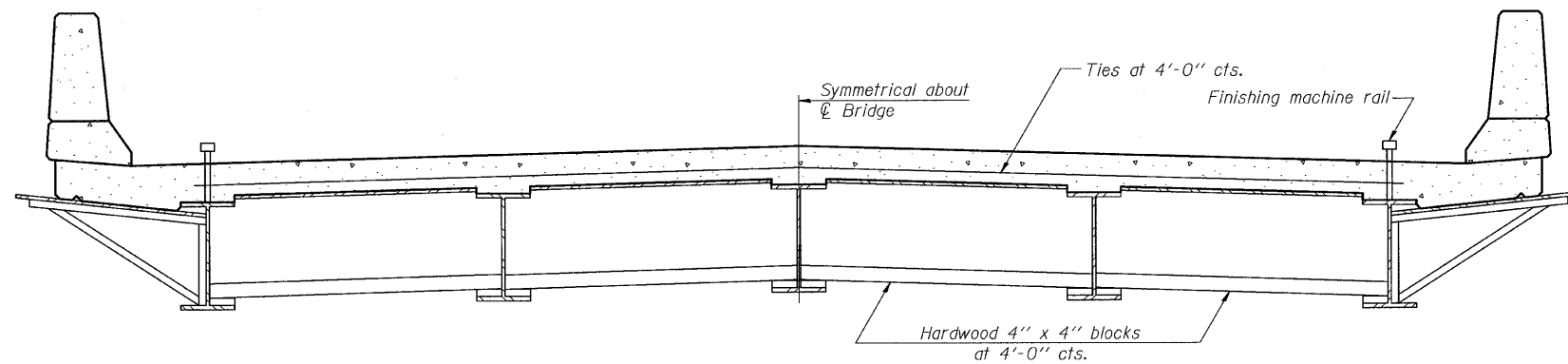


STATE OF ILLINOIS
DEPARTMENT OF TRANSPORTATION



FORM BRACES FOR
STAGE CONSTRUCTION

When cantilever forming brackets are used, the work shall be done according to Article 503.06(b) of the Standard Specifications, except as modified below and in the details shown on this sheet.
The finishing machine rails shall be placed on the top flange of the exterior beams.
The beams or girders, supporting cantilever forming brackets, shall be tied together at 4 foot intervals.
For Standard construction, or Stage Construction the Hardwood bracing materials shall be placed as shown between webs of beams in each bay.



FORM BRACES FOR
STANDARD CONSTRUCTION

CANTILEVER FORMING BRACKETS
FOR SUPERSTRUCTURES WITH
W27 BEAMS AND SMALLER
S.N. 101-0120

DESIGNED <i>SCD</i>
CHECKED <i>DRB</i>
DRAWN <i>THW</i>
CHECKED <i>SCD</i>

SB-1



IE CONSULTANTS, INC
6420 SOUTH SIXTH STREET
SPRINGFIELD, ILLINOIS 62712
TEL. (217) 529-8027
FAX (217) 529-4543
WWW.IE-CONSULTANTS.COM

11-1-09

SHEET NO.	F.A.P. RTE.	SECTION	COUNTY	TOTAL SHEETS	SHEET NO.
29 OF 34 SHEETS	301	(1-1HB-1)D	WINNEBAGO	55	45
CONTRACT NO. 64E11					
ILLINOIS FED. AID PROJECT					