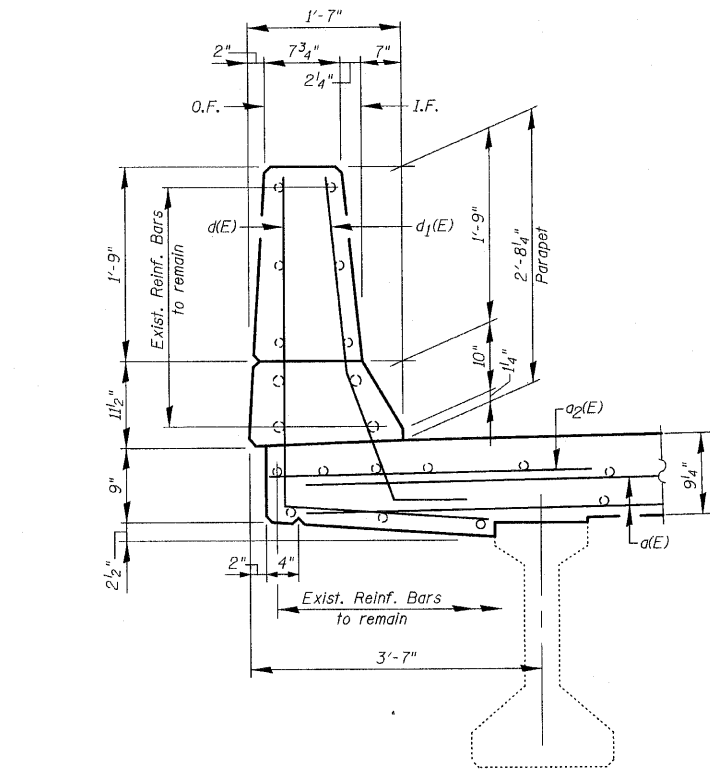


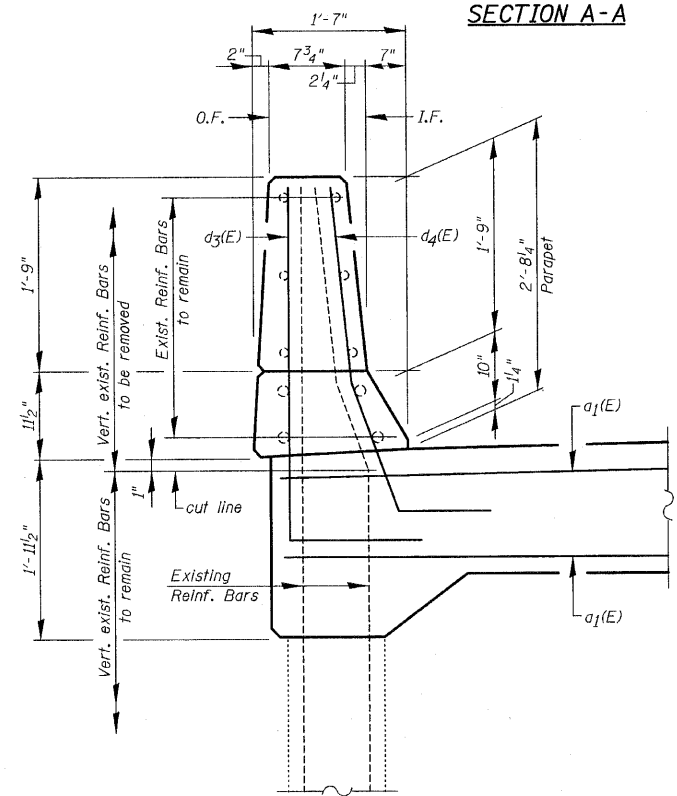
STATE OF ILLINOIS
DEPARTMENT OF TRANSPORTATION

BILL OF MATERIAL

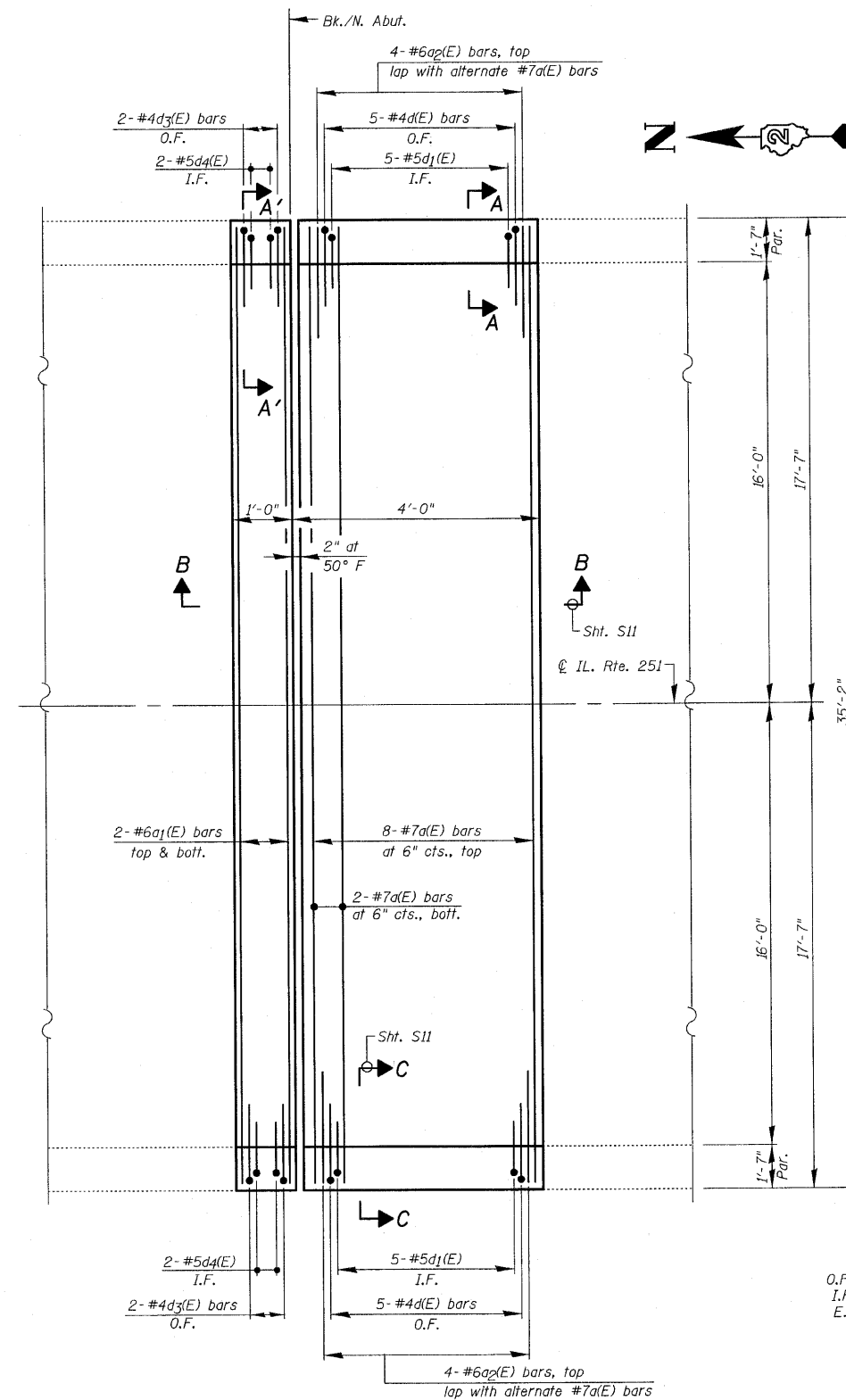
Bar	No.	Size	Length	Shape
$\alpha(E)$	10	#7	34'-4"	—
$d_1(E)$	4	#6	34'-4"	—
$d_2(E)$	8	#6	4'-7"	—
$d(E)$	10	#4	5'-8"	L
$d_1(E)$	10	#5	3'-11"	L
$d_3(E)$	4	#4	5'-0"	L
$d_4(E)$	4	#5	4'-5"	L
$m(E)$	16	#4	6'-4"	—
$m_1(E)$	8	#6	5'-0"	—
$s(E)$	20	#4	13'-8"	U
Reinforcement Bars, Epoxy Coated		Pound	1,380	
Concrete Removal		Cu Yd	9.1	
Concrete Superstructure		Cu Yd	14.9	



SECTION A-A

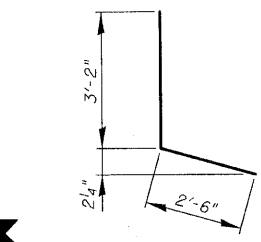


SECTION A'-A'

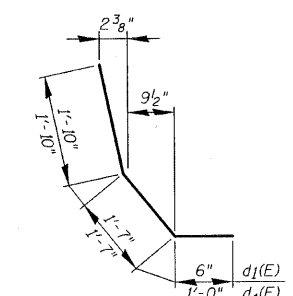


EXPANSION JOINT RECONSTRUCTION
AT NORTH ABUTMENT

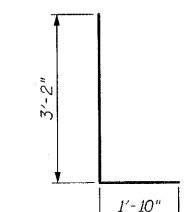
PLAN



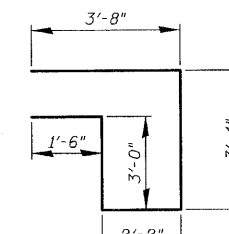
BAR d(E)



BARS d1(E) & d4(E)



BAR d3(E)



BAR s(E)

LEGEND:

- O.F. = Outside Face
- I.F. = Inside Face
- E.F. = Each Face

DESIGNED -	2010
CHECKED -	EXAMINED
DRAWN -	PASSED
CHECKED -	

CHRISTIAN-ROGE & ASSOCIATES, INC.
ENGINEERS-PLANNERS-SURVEYORS
211 WEST WACKER DRIVE
CHICAGO, ILLINOIS 60606
PHONE: (312)372-2023 FAX: (312)372-5274

SHEET NO. S10	F.A.P. RTE. 740	SECTION (108HVB)M	COUNTY OGLE	TOTAL SHEETS 55	SHEET NO. 17
S43 SHEETS	CONTRACT NO. 64G24		ILLINOIS FED. AID PROJECT		

EXPANSION JOINT &
DIAPHRAGM RECONSTRUCTION
AT NORTH ABUTMENT
IL. RTE. 251 OVER IL. RTE. 38
C&NW R.R. AND B.N. R.R.
F.A.P. RTE. 740 (IL. RTE. 251)
SECTION (108HVB)M
OGLE COUNTY
STA. 856+44.00
STRUCTURE NO. 071-0066