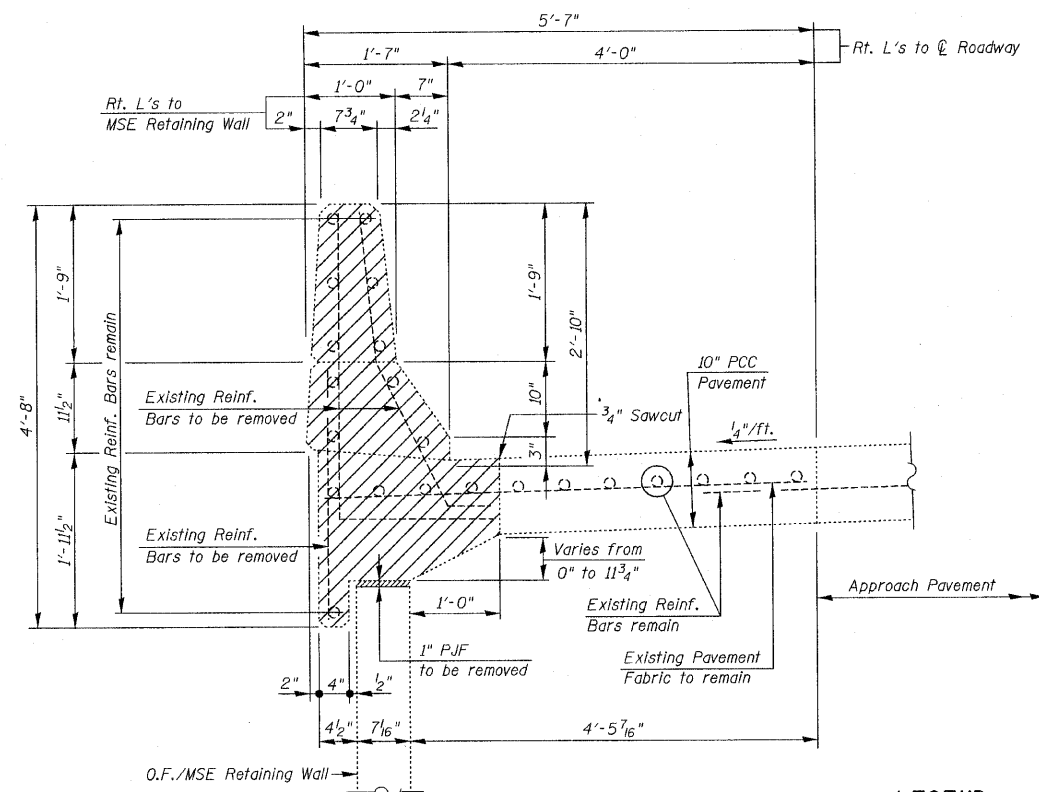


STATE OF ILLINOIS
DEPARTMENT OF TRANSPORTATION

BILL OF MATERIAL

Bar	No.	Size	Length	Shape	
d ₂ (E)	105	#4	2'-8"	—	
d ₃ (E)	105	#4	5'-0"	L	
d ₄ (E)	105	#5	4'-5"	L	
Reinforcement Bars, Epoxy Coated				Pound	1,020
Concrete Removal				Cu Yd	16.6
Concrete Superstructure				Cu Yd	16.6

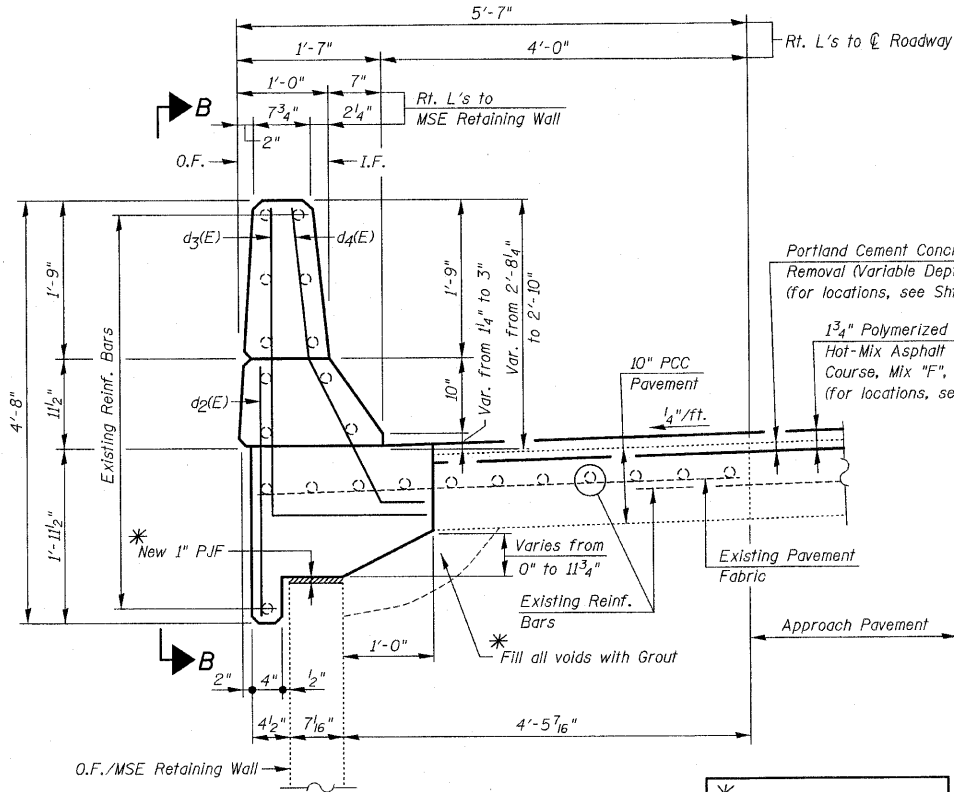


EXISTING

SECTION A-A

LEGEND:

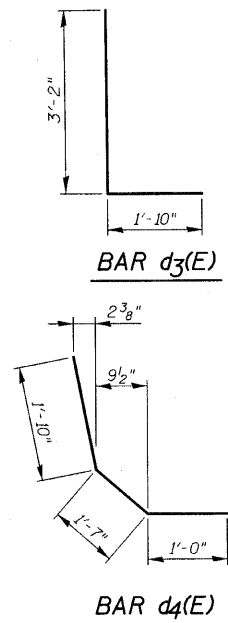
Concrete Removal



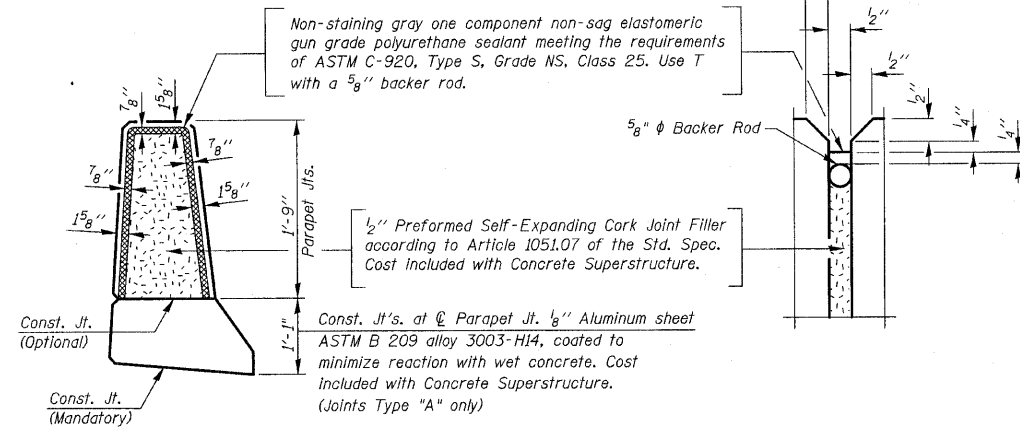
PROPOSED

SECTION A-A

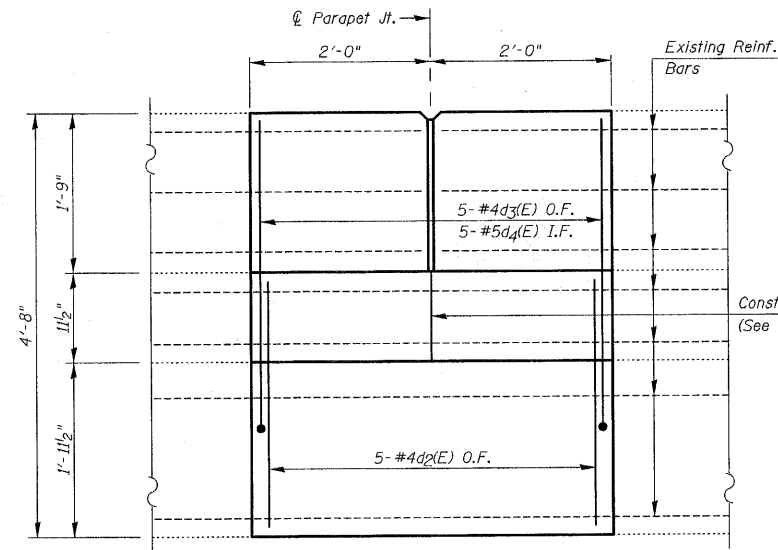
* Cost Included with Concrete Superstructure



LEGEND:
O.F. = Outside Face
I.F. = Inside Face



PARAPET JOINT DETAILS



VIEW B-B

Const. Jt. & 1/8" Aluminum Sheet at Joints Type "A"
(See Parapet Joint Details)

NOTE:
See Sht's. S20 & S21 for Parapet Joint Repair locations

APPROACH SLAB PARAPET JOINT REPAIR DETAILS
IL. RTE. 251 OVER IL. RTE. 38
C&NW R.R. AND B.N. R.R.
F.A.P. RTE. 740 (IL. RTE. 251)
SECTION (108HVB)M
OGLE COUNTY
STA. 856+44.00
STRUCTURE NO. 071-0066

DESIGNED	
CHECKED	
DRAWN	
CHECKED	

EXAMINED	2010
PASSED	ENGINEER OF BRIDGE DESIGN
	ENGINEER OF BRIDGES AND STRUCTURES

CHRISTIAN-ROGE & ASSOCIATES, INC.
ENGINEERS-PLANNERS-SURVEYORS
211 WEST WACKER DRIVE
CHICAGO, ILLINOIS 60606
PHONE: (312)372-2023 FAX: (312)372-5274

SHEET NO. S22	F.A.P. RTE.	SECTION	COUNTY	TOTAL SHEETS	SHEET NO.
S43 SHEETS	740	(108HVB)M	OGLE	55	29
			CONTRACT NO. 64G24		
ILLINOIS FED. AID PROJECT					