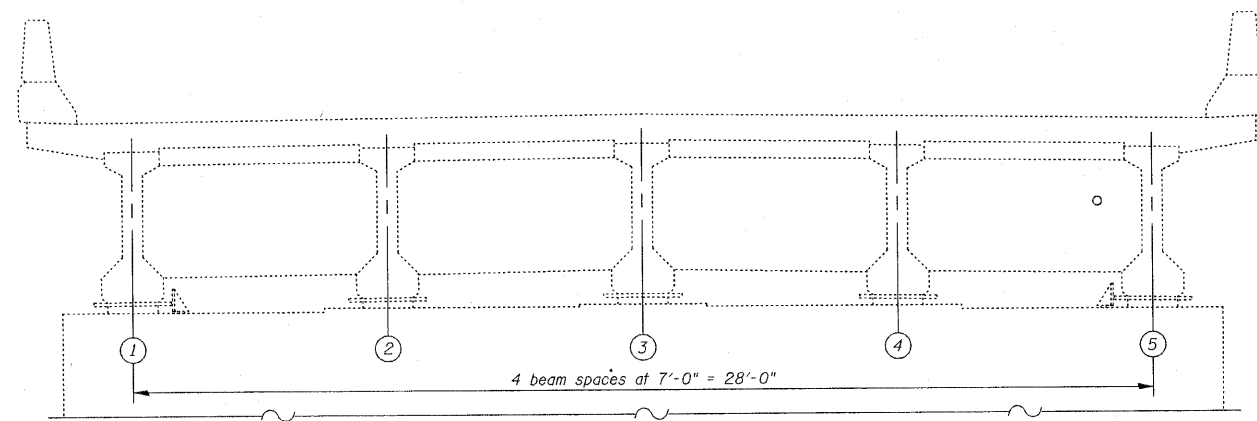
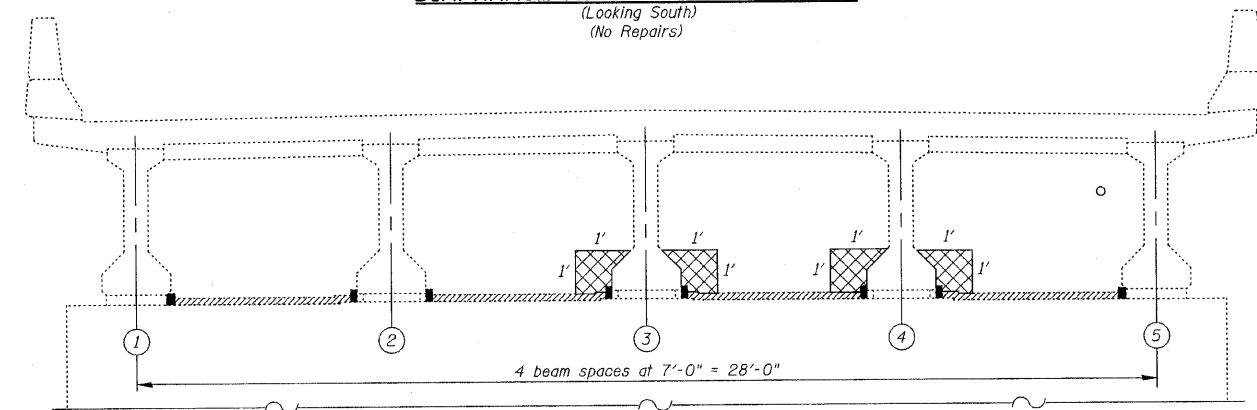


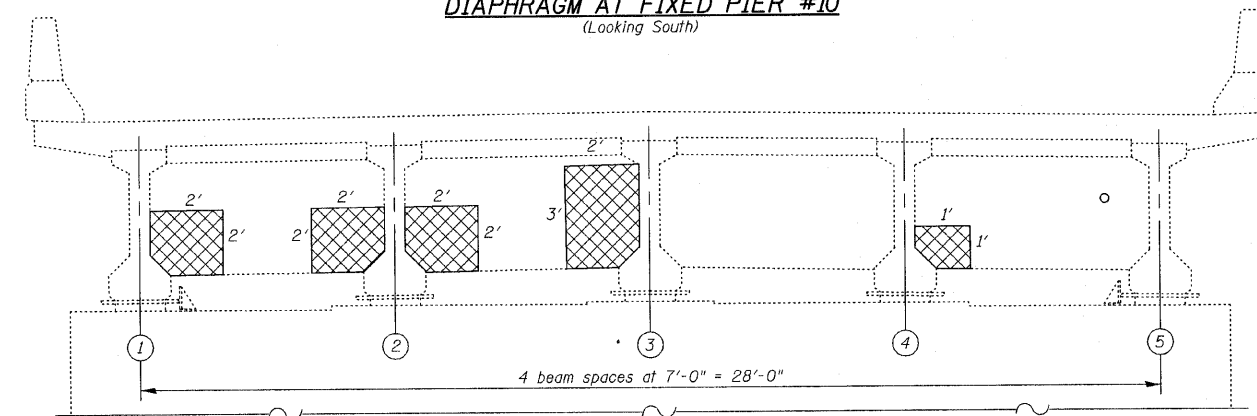
STATE OF ILLINOIS  
DEPARTMENT OF TRANSPORTATION



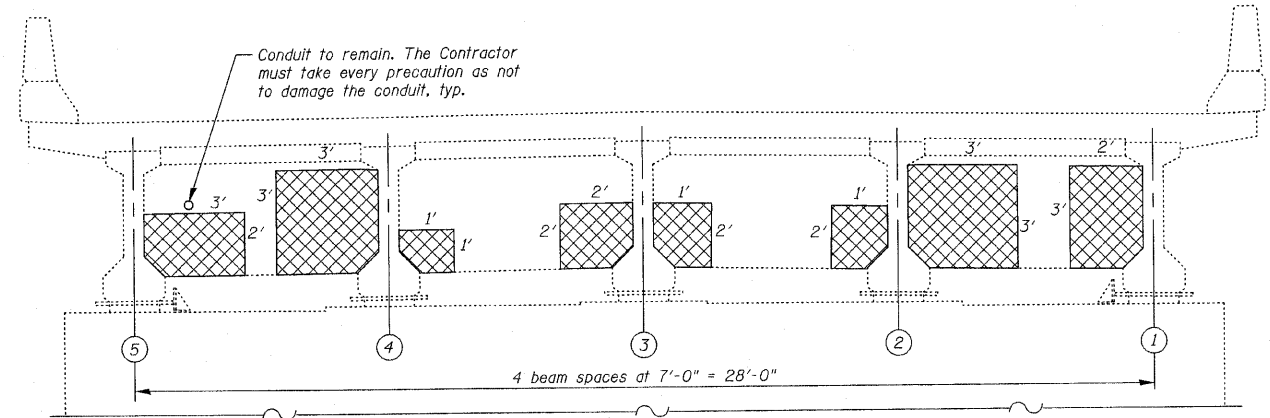
**DIAPHRAGM AT EXPANSION PIER #9**  
(Looking South)  
(No Repairs)



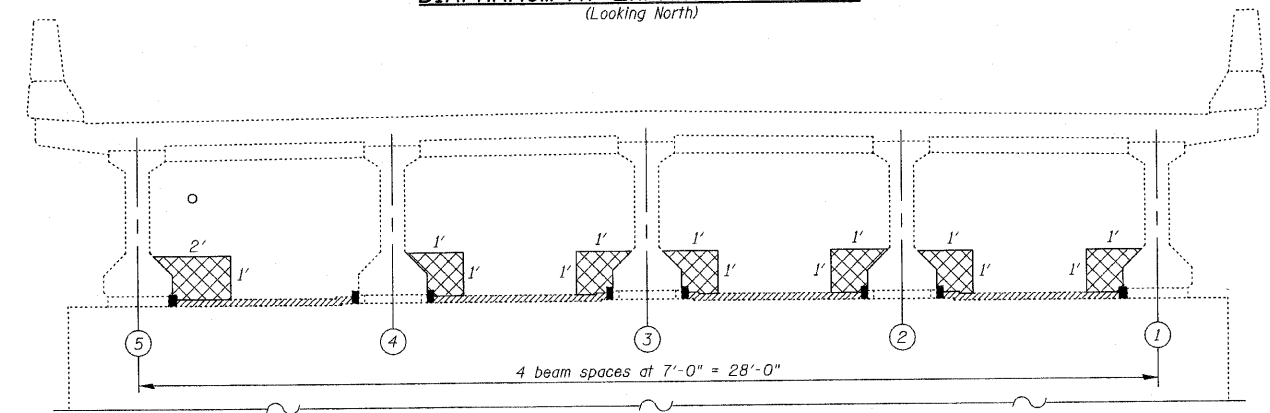
**DIAPHRAGM AT FIXED PIER #10**  
(Looking South)



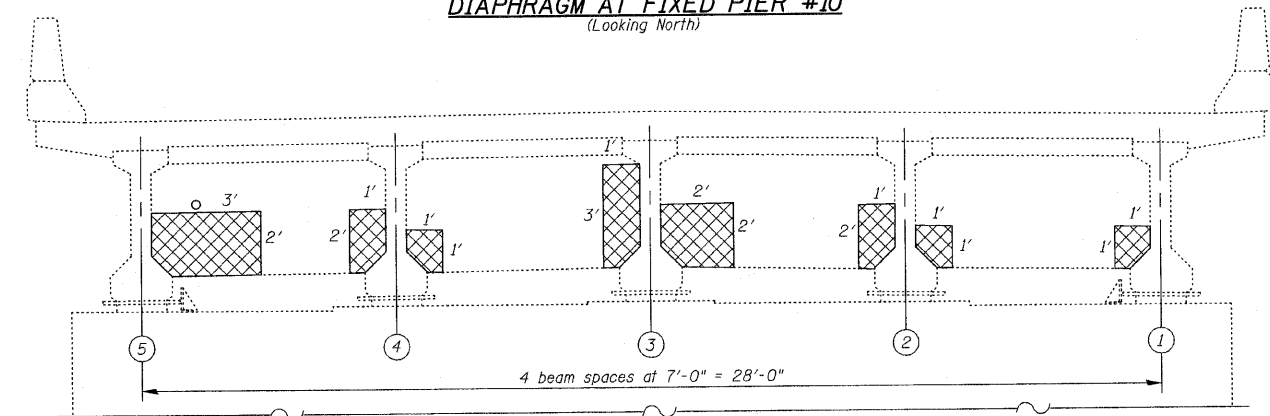
**DIAPHRAGM AT EXPANSION PIER #11**  
(Looking South)



**DIAPHRAGM AT EXPANSION PIER #9**  
(Looking North)



**DIAPHRAGM AT FIXED PIER #10**  
(Looking North)



**DIAPHRAGM AT EXPANSION PIER #11**  
(Looking North)

**DIAPHRAGM REPAIRS-III**  
IL. RTE. 251 OVER IL. RTE. 38  
C&NW R.R. AND B.N. R.R.  
F.A.P. RTE. 740 (IL. RTE. 251)  
SECTION (108HVB)M  
OGLE COUNTY  
STA. 856+44.00  
STRUCTURE NO. 071-0066

**BILL OF MATERIAL**

ITEM	UNIT	QUANTITY
Structural Repair of Concrete (Depth Equal To or Less Than 5 Inches)	Sq Ft	90

**LEGEND:**

Structural Repair of Concrete  
(Depth Equal To or Less Than 5 Inches)

DESIGNED -	2010
CHECKED -	EXAMINED
DRAWN -	PASSED
CHECKED -	

ENGINEER OF BRIDGE DESIGN  
ENGINEER OF BRIDGES AND STRUCTURES

**CR & A** CHRISTIAN-ROGE & ASSOCIATES, INC.  
ENGINEERS-PLANNERS-SURVEYORS  
211 WEST WACKER DRIVE  
CHICAGO, ILLINOIS 60606  
PHONE: (312)372-2023 FAX: (312)372-5274

SHEET NO. S25 S43 SHEETS	F.A.P. RTE. 740	SECTION (108HVB)M	COUNTY OGLE	TOTAL SHEETS 55	SHEET NO. 32
	CONTRACT NO. 64G24			ILLINOIS FED. AID PROJECT	