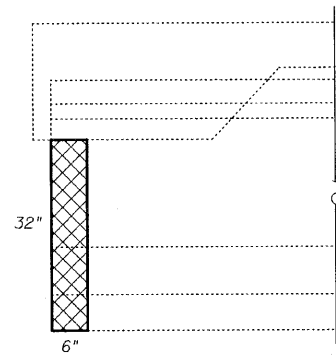
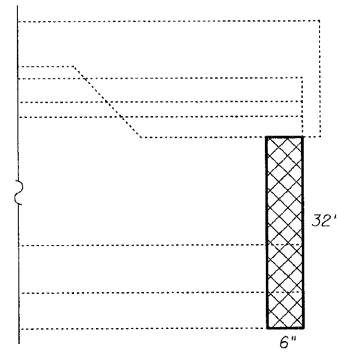


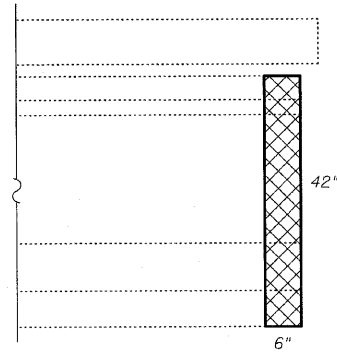
STATE OF ILLINOIS
DEPARTMENT OF TRANSPORTATION



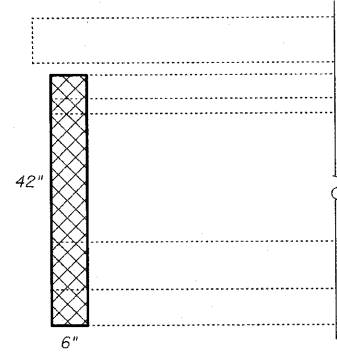
BEAM END REPAIR
TYPE "A"



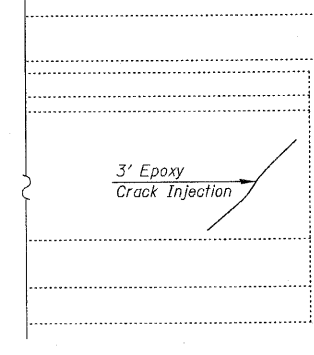
BEAM END REPAIR
TYPE "B"



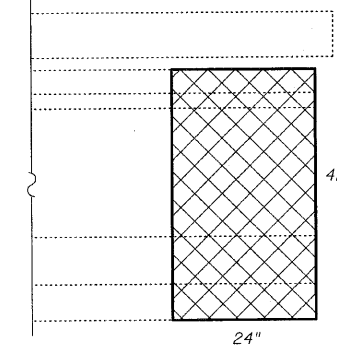
BEAM END REPAIR
TYPE "C"



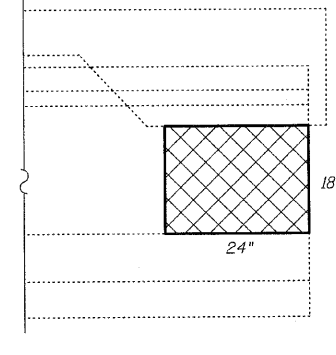
BEAM END REPAIR
TYPE "D"



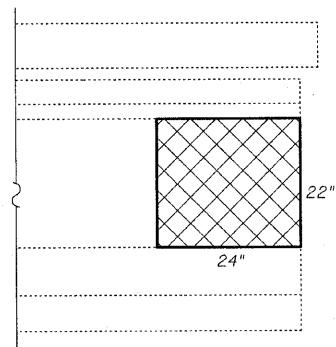
BEAM END REPAIR
TYPE "E"



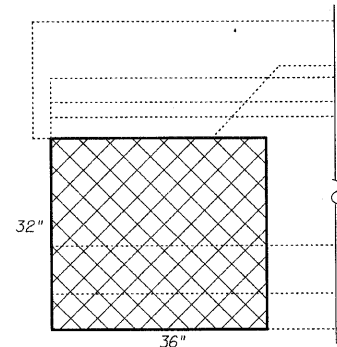
BEAM END REPAIR
TYPE "F"



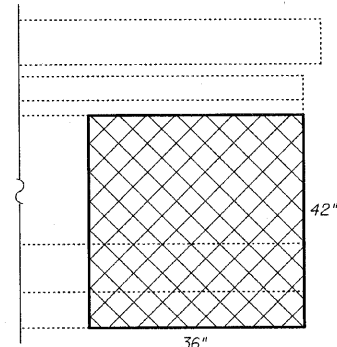
BEAM END REPAIR
TYPE "G"



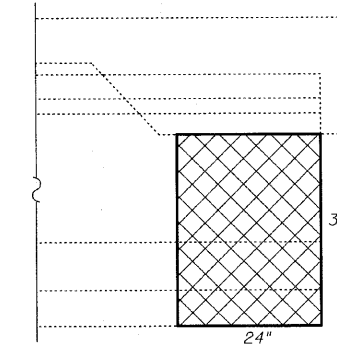
BEAM END REPAIR
TYPE "H"



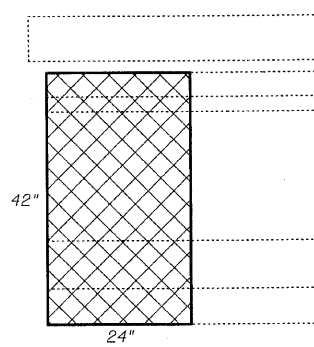
BEAM END REPAIR
TYPE "I"



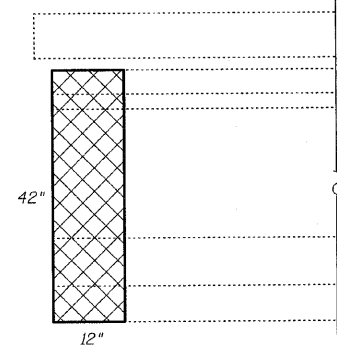
BEAM END REPAIR
TYPE "J"



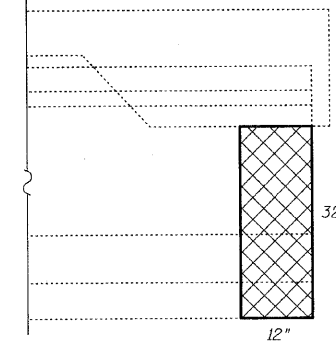
BEAM END REPAIR
TYPE "K"



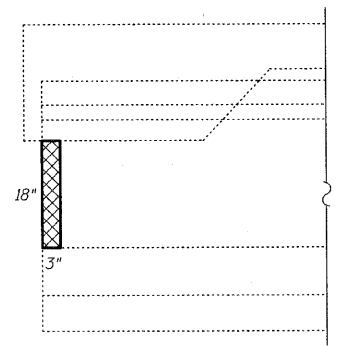
BEAM END REPAIR
TYPE "L"



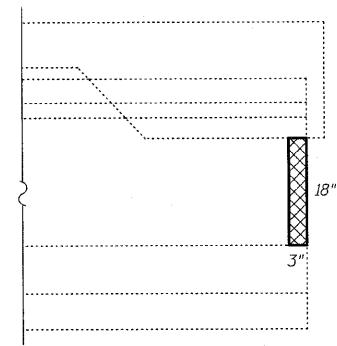
BEAM END REPAIR
TYPE "M"



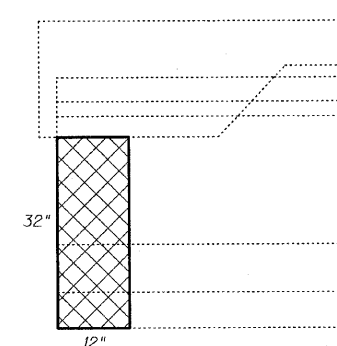
BEAM END REPAIR
TYPE "N"



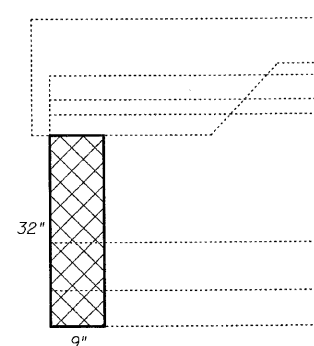
BEAM END REPAIR
TYPE "O"



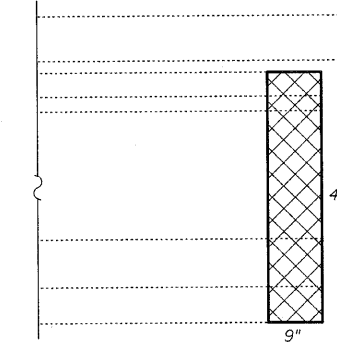
BEAM END REPAIR
TYPE "P"





BEAM END REPAIR
TYPE "Q"



BEAM END REPAIR
TYPE "R"



BEAM END REPAIR
TYPE "S"

LEGEND:
 Structural Repair of Concrete (Depth Equal To or Less Than 5 Inches)
 Epoxy Crack Injection

BEAM END REPAIRS-III
IL. RTE. 251 OVER IL. RTE. 38
C&NW R.R. AND B.N. R.R.
F.A.P. RTE. 740 (IL. RTE. 251)
SECTION (108HVB)M
OGLE COUNTY
STA. 856+44.00
STRUCTURE NO. 071-0066

DESIGNED -	2010
CHECKED -	EXAMINED
DRAWN -	PASSED
CHECKED -	

NOTE:
 For locations of Beam End Repairs Type "A" thru Type "S", see Sht's. S27 & S28

CHRISTIAN-ROGE & ASSOCIATES, INC.
 ENGINEERS-PLANNERS-SURVEYORS
 211 WEST WACKER DRIVE
 CHICAGO, ILLINOIS 60606
 PHONE: (312)372-2023 FAX: (312)372-5274

SHEET NO. S29	F.A.P. RTE. 740	SECTION (108HVB)M	COUNTY OGLE	TOTAL SHEETS 55	SHEET NO. 36
S43 SHEETS	CONTRACT NO. 64G24		ILLINOIS FED. AID PROJECT		