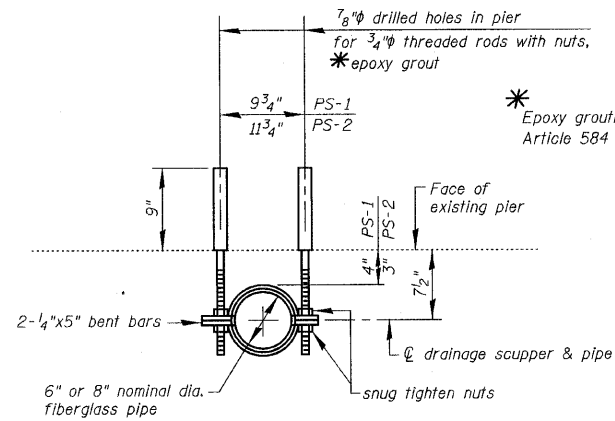


STATE OF ILLINOIS
DEPARTMENT OF TRANSPORTATION

NOTE "A"

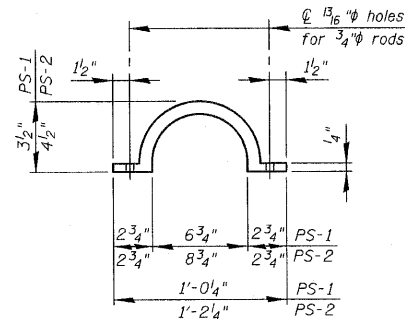
The drainage system shall be designed as an open system with allowances for the differential expansion and contraction expected between the superstructure and the substructure to which the drainage system is attached



PIPE SUPPORT DETAIL

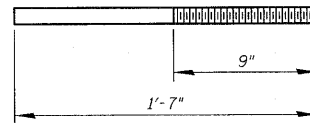
PS-1 & PS-2

No. required = 24 for PS-1
No. required = 25 for PS-2



1/4" x 5" BENT BARS

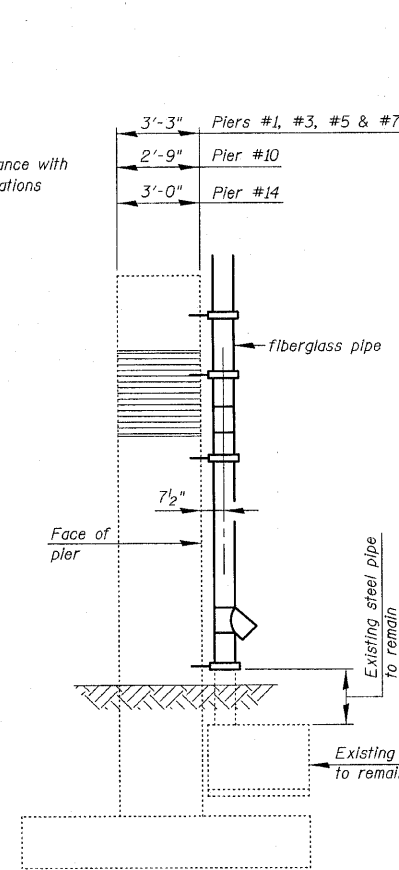
No. required = 48 for PS-1
No. required = 50 for PS-2



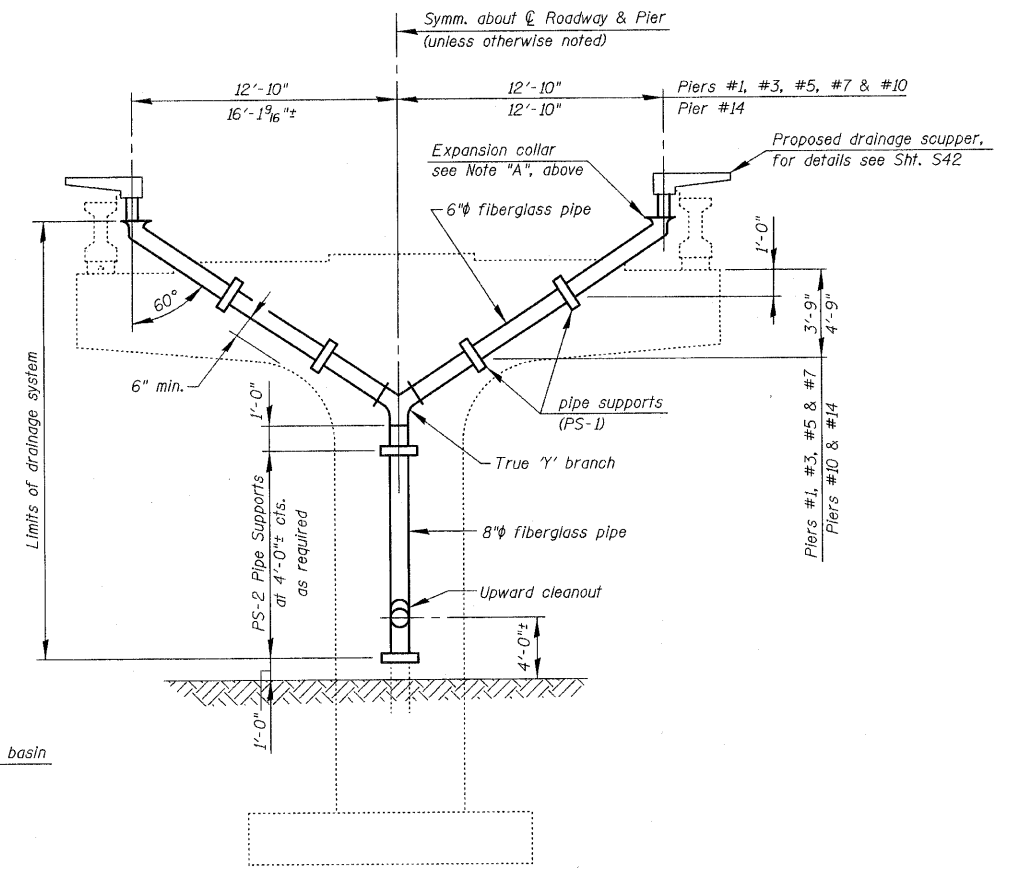
3/4" THREADED RODS

No. required = 48 for PS-1
No. required = 50 for PS-2

*Epoxy grouting to be done in accordance with Article 584 of the Standard Specifications



SIDE VIEW



ELEVATION

(Showing Drainage System)
Looking North at Piers #1, #5, #10 & #14
Looking South at Piers #3 & #7

LEGEND:

PS-1 = Pipe Support-1
PS-2 = Pipe Support-2

Notes:
Remove approximately 240' of existing drain pipe and replace with approximately 180' of new drain pipe.
Cost for work shown on this sheet & existing drain pipe removal is included with Drainage System.
All materials shall be in accordance with the Special Provision for Drainage System.

BILL OF MATERIAL

ITEM	UNIT	QUANTITY
Drainage System	L. Sum	1

DRAINAGE SYSTEM
IL. RTE. 251 OVER IL. RTE. 38
C&NW R.R. AND B.N. R.R.
F.A.P. RTE. 740 (IL. RTE. 251)
SECTION (108HVB)M
OGLE COUNTY
STA. 856+44.00
STRUCTURE NO. 071-0066

DESIGNED -	2010
CHECKED -	EXAMINED
DRAWN -	PASSED
CHECKED -	

ENGINEER OF BRIDGE DESIGN
ENGINEER OF BRIDGES AND STRUCTURES

CHRISTIAN-ROGE & ASSOCIATES, INC.
ENGINEERS-PLANNERS-SURVEYORS
211 WEST WACKER DRIVE
CHICAGO, ILLINOIS 60606
PHONE: (312)372-2023 FAX: (312)372-5274

SHEET NO. S41	F.A.P. RTE. 740	SECTION (108HVB)M	COUNTY OGLE	TOTAL SHEETS 55	SHEET NO. 48
S43 SHEETS	CONTRACT NO. 64G24		ILLINOIS FED. AID PROJECT		