

BENCHMARK "102"
CHISELED "X" ON TOP OF 5/8 BOLT ON FIRE HYDRANT
AT S.E. CORNER OF GROVE STREET AND ILL ROUTE 178
ELEV. 482.94

STA. 12+34.5, 6.5' RT.
45° BEND
6" VALVE & BOX
6" PLUG

STA. 12+49.2, 21.2' RT.
45° BEND

STA. 12+94.6, 40' RT.
45° BEND

STA. 13+63, 46' RT.
6" X 6" TEE
6" VALVE & BOX
& HYDRANT
6" WATER MAIN, 6"

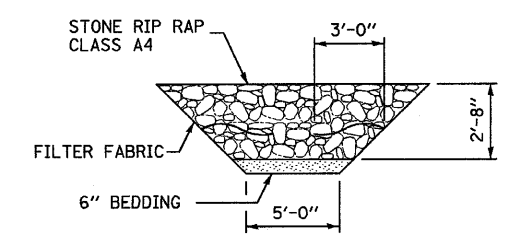
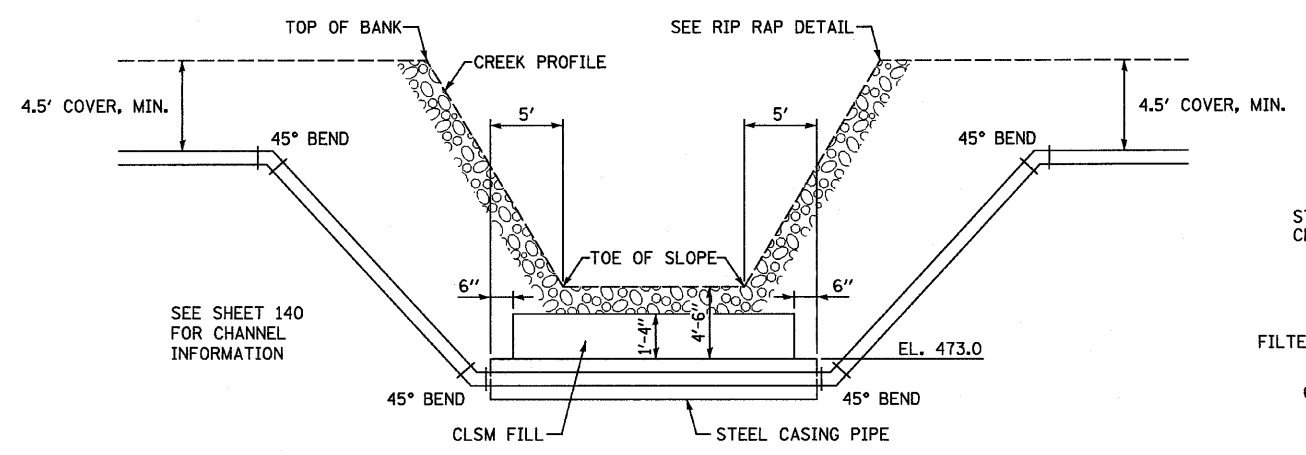
STA. 13+73, 40' RT.
6" X 6" TEE
6" VALVE & BOX

STA. 15+46.7, 39.2' RT.
90° BEND

STA. 15+48.1, 53.5' RT.
45° BEND
6" VALVE & BOX

LEGEND

- W — PROPOSED WATER MAIN
- ▼ PROPOSED FIRE HYDRANT
- PROPOSED WATER VALVE OR SERVICE BOX
- ◄ PROPOSED WATER MAIN REDUCER
- R EXISTING FIRE HYDRANT, VALVE BOX OR SERVICE BOX TO BE REMOVED



FILE NAME = D366547-SHT-WM10-16.DGN	USER NAME = ---	DESIGNED - AMF	REVISED -	STATE OF ILLINOIS DEPARTMENT OF TRANSPORTATION	WATER MAIN IMPROVEMENTS - LINCOLN STREET			F.A.S. RTE. 1279	SECTION 6R.B	COUNTY LASALLE	TOTAL SHEETS 190	SHEET NO. 62
PLOT SCALE = 1"=20'					SCALE: 1"=20'			SHEET NO. OF SHEETS			CONTRACT NO. 66547	
PLOT DATE = 08/10					STA. 10+00 TO STA. 16+00			ILLINOIS FED. AID PROJECT				
DATE = 08/10					REVISED -							