

SHORT-TERM PAVEMENT MARKING	
LOCATION	FOOT
STA 162+50.00 TO STA 167+45.46	267
TOTAL	267

WORK ZONE PAVEMENT MARKING REMOVAL	
LOCATION	SQ FT
LETTERS & SYMBOLS	176
LINE 4"	3141
LINE 6"	872
LINE 8"	277
LINE 12"	466
LINE 24"	622
SHORT-TERM PAVEMENT MARKING	89
TOTAL	5643

• TEMPORARY PAVEMENT MARKING

RAISED REFLECTIVE PAVEMENT MARKER	
LOCATION	EACH
STA 162+50.00 TO STA 167+45.46	31
STA 167+45.46 TO STA 174+09.53	26
STA 174+09.53 TO STA 177+80.43	15
STA 177+80.43 TO STA 186+38.02	8
STA 11+75.00 TO STA 19+66.88	9
TOTAL	89

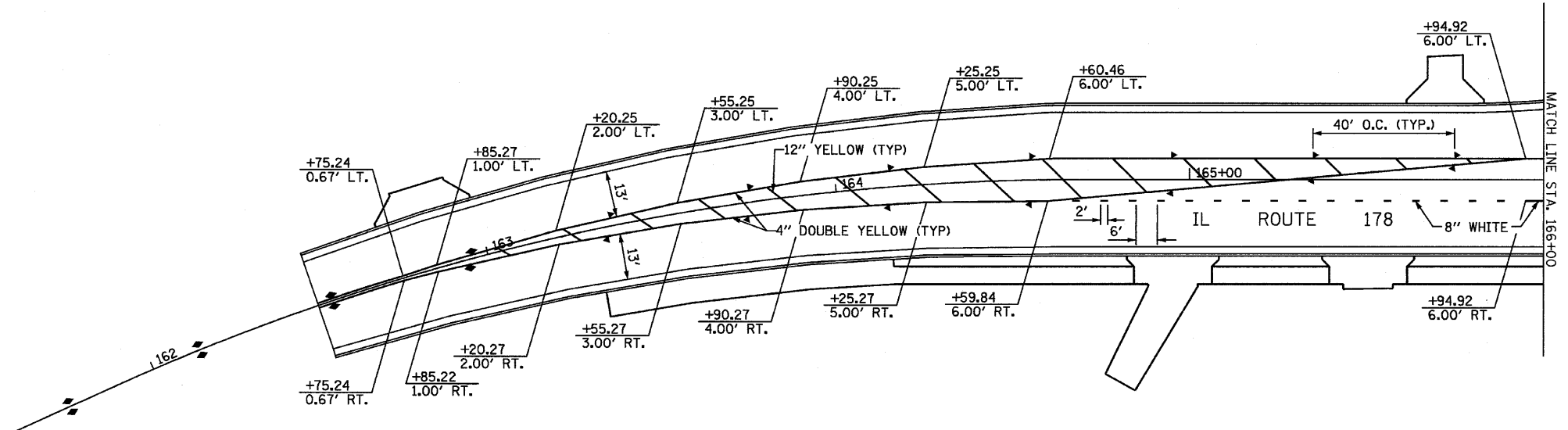
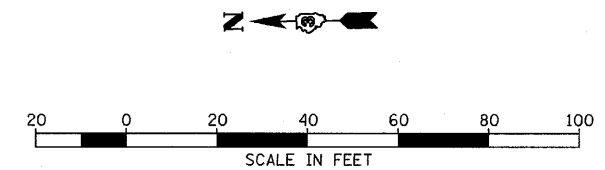
PRISMATIC CURB REFLECTOR	
LOCATION	EACH
STA 167+10.92 TO STA 167+31.71, LT	8
STA 169+37.46 TO STA 169+62.12	6
STA 170+00.39 TO STA 170+39.49	6
STA 174+44.41 TO STA 174+65.73, LT	8
TOTAL	28

**LEGEND**

- ▶ ONE-WAY AMBER MARKER
  - ▷ ONE-WAY CRYSTAL MARKER
  - ◆ TWO-WAY AMBER MARKER
- SEE HIGHWAY STANDARD 781001

**NOTE:**

ALL PAVEMENT MARKING SHALL BE URETHANE, EXCEPT STOP BARS AND LETTERS AND SYMBOLS.



TEMPORARY PAVEMENT MARKING						
LOCATION	SQ FT	FOOT	FOOT	FOOT	FOOT	FOOT
• STA 162+50 TO STA 167+00 STAGE IB	--	888	--	--	--	--
• STA 162+50 TO STA 167+00 STAGE IIA	--	892	--	--	--	--
• STA 162+50 TO STA 164+61 STAGE IIB	--	744	--	--	--	--
• STA 282+50 TO STA 286+43 STAGE III	--	786	--	--	--	--
STA 162+50.00 TO STA 167+45.46	17.6	1581	--	132	142	--
STA 167+45.46 TO STA 174+09.53	148.8	1348	195	178	124	78
STA 174+09.53 TO STA 177+80.43	--	1006	229	--	108	--
STA 177+80.43 TO STA 186+38.02	--	827	187	42	45	--
STA 11+75.00 TO STA 19+66.88	--	1139	147	64	47	99
STA 32+79.43 TO STA 34+00.00	--	--	--	--	--	22
STA 41+24.30 TO STA 44+34.01	--	--	284	--	--	26
STA 62+33.47 TO STA 65+44.54	9.2	677	362	--	--	26
STA 80+00.00 TO STA 81+23.23	--	--	193	--	--	31
STA 91+52.81 TO STA 92+42.13	--	--	20	--	--	13
STA 95+00.00 TO STA 96+00.00	--	--	126	--	--	16
TOTAL	175.6	9888	1743	416	466	311

• SEE STAGE CONSTRUCTION AND TRAFFIC CONTROL PLANS

PAVEMENT MARKING						
LOCATION	SQ FT	FOOT	FOOT	FOOT	FOOT	FOOT
STA 162+50.00 TO STA 167+45.46	17.6	1581	--	132	142	--
STA 167+45.46 TO STA 174+09.53	148.8	1348	195	178	124	78
STA 174+09.53 TO STA 177+80.43	--	1006	229	--	108	--
STA 177+80.43 TO STA 186+38.02	--	827	187	42	45	--
STA 11+75.00 TO STA 19+66.88	--	1139	147	64	47	99
STA 32+79.43 TO STA 34+00.00	--	--	--	--	--	22
STA 41+24.30 TO STA 44+34.01	--	--	284	--	--	26
STA 62+33.47 TO STA 65+44.54	9.2	677	362	--	--	26
STA 80+00.00 TO STA 81+23.23	--	--	193	--	--	31
STA 91+52.81 TO STA 92+42.13	--	--	20	--	--	13
STA 95+00.00 TO STA 96+00.00	--	--	126	--	--	16
STA 7+10.64 TO STA 14+23.29 (MILL ST)	122.4	1201	129	--	104	136
TOTAL	298	7779	1872	416	570	447