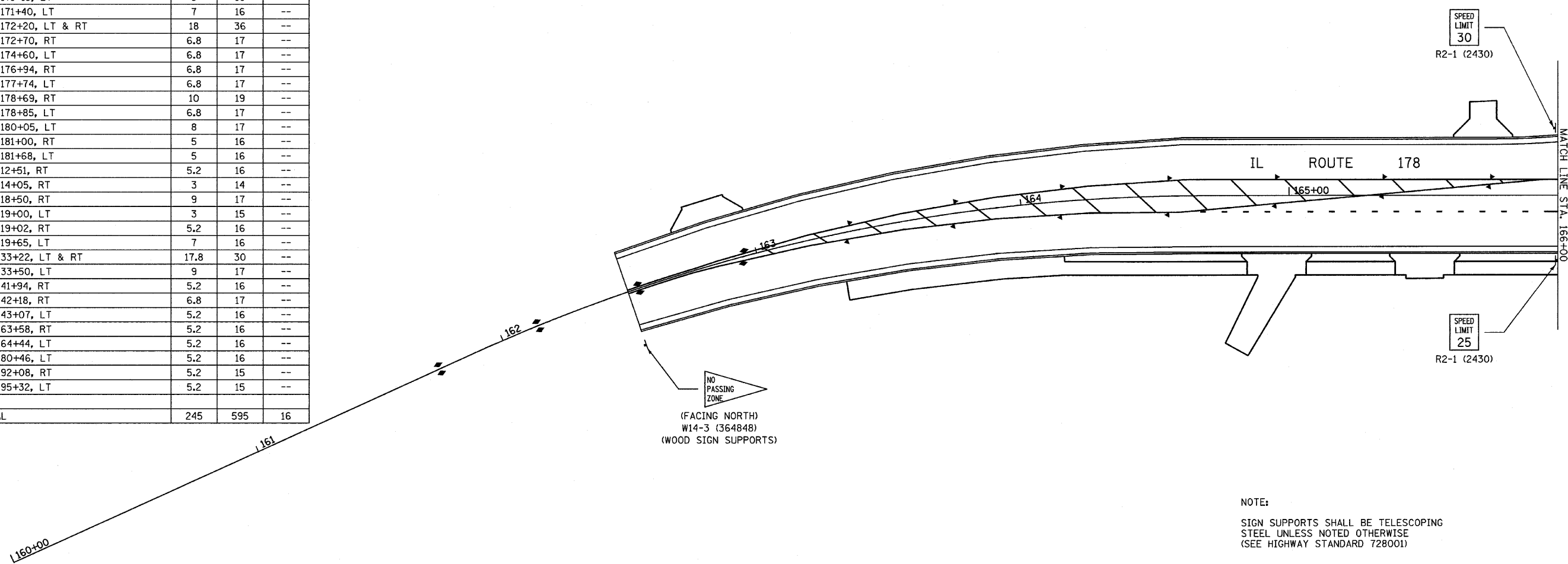
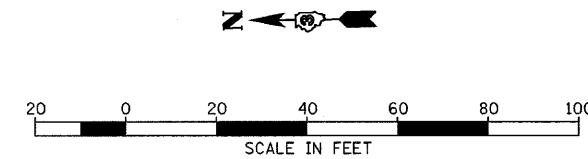


SIGNAGE SCHEDULE

LOCATION	SQ FT	FOOT	FOOT
STA 162+50, RT	5.6	--	16
STA 165+99, LT & RT	10	29	--
STA 166+93, LT	11.5	15	--
STA 167+00, RT	5	16	--
STA 167+27, LT	5.2	15	--
STA 168+50, RT	7	16	--
STA 170+20, TL	6.3	15	--
STA 171+13, LT	5	16	--
STA 171+40, LT	7	16	--
STA 172+20, LT & RT	18	36	--
STA 172+70, RT	6.8	17	--
STA 174+60, LT	6.8	17	--
STA 176+94, RT	6.8	17	--
STA 177+74, LT	6.8	17	--
STA 178+69, RT	10	19	--
STA 178+85, LT	6.8	17	--
STA 180+05, LT	8	17	--
STA 181+00, RT	5	16	--
STA 181+68, LT	5	16	--
STA 12+51, RT	5.2	16	--
STA 14+05, RT	3	14	--
STA 18+50, RT	9	17	--
STA 19+00, LT	3	15	--
STA 19+02, RT	5.2	16	--
STA 19+65, LT	7	16	--
STA 33+22, LT & RT	17.8	30	--
STA 33+50, LT	9	17	--
STA 41+94, RT	5.2	16	--
STA 42+18, RT	6.8	17	--
STA 43+07, LT	5.2	16	--
STA 63+58, RT	5.2	16	--
STA 64+44, LT	5.2	16	--
STA 80+46, LT	5.2	16	--
STA 92+08, RT	5.2	15	--
STA 95+32, LT	5.2	15	--
TOTAL	245	595	16



NOTE:
SIGN SUPPORTS SHALL BE TELESCOPING STEEL UNLESS NOTED OTHERWISE (SEE HIGHWAY STANDARD 728001)

FILE NAME = D368547-SHT-SIGN.DGN	USER NAME = ---	DESIGNED - JKC	REVISED - ---	STATE OF ILLINOIS DEPARTMENT OF TRANSPORTATION	IL RTE 178 (RELOCATED) SIGNING PLANS		F.A.S. RTE. 1279	SECTION 6R,B	COUNTY LASALLE	TOTAL SHEETS 190	SHEET NO. 86	
PLOT SCALE = 1"=20'	CHECKED - JKC	DATE - 08/10	REVISED - ---		SCALE: 1"=20'	SHEET NO. ___ OF ___ SHEETS	STA. 160+00 TO STA. 166+00	CONTRACT NO. 66547				
PLOT DATE = 08/10	DATE - 08/10	REVISED - ---	REVISED - ---		FED. ROAD DIST. NO. - ILLINOIS FED. AID PROJECT							