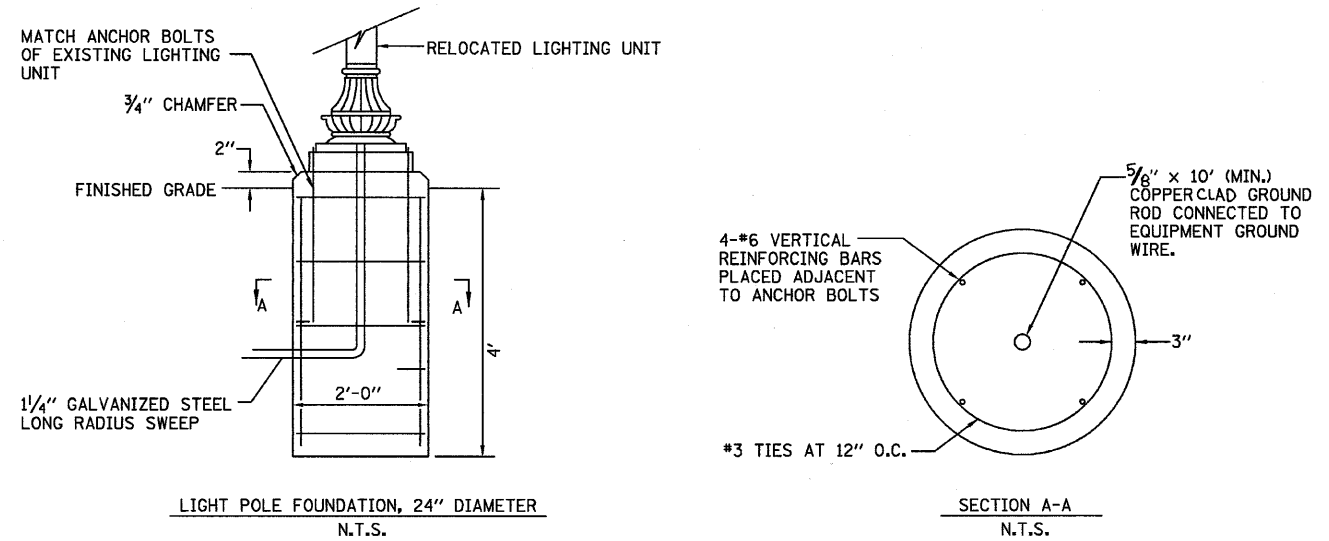


CABLE AND CONDUIT SCHEDULE

LOCATION	CONDUIT IN TRENCH, 1 1/4" DIA., GALVANIZED STEEL		CONDUIT IN TRENCH, 1 1/4" DIA., PVC		ELECTRIC CABLE IN CONDUIT, 600V (XLP-TYPE USE) 3-1/2" NO. 8		TRENCH AND BACKFILL FOR ELECTRICAL WORK	
	FOOT	STATE	VILLAGE	STATE	VILLAGE	STATE	VILLAGE	FOOT
R1	11	--	--	--	--	--	--	--
R2	5.5	--	--	--	--	--	--	--
R3	5.5	--	--	--	--	--	--	--
HANDHOLE TO B4	--	16	--	31	--	16	--	--
HANDHOLE TO B1	--	--	12	--	22	--	12	--
B1 TO B2	--	--	--	--	61	--	--	--
B2 TO B3	--	--	--	--	61	--	--	--
B4 TO B5	--	--	--	61	--	--	--	--
B5 TO B6	--	--	--	61	--	--	--	--
B6 TO R1	--	206	--	226	--	209	--	--
R1 TO R2	--	188	--	214	--	194	--	--
R3 TO E1	--	--	--	188	--	--	--	--
TOTAL	22	410	12	781	144	419	12	431



LIGHTING NOTES

1. ALL UNDERGROUND ELECTRICAL CONDUIT SHALL BE SCH. 40 PVC UNLESS NOTED - MIN. BURIAL SHALL BE 24"
2. ALL SWEEPS SHALL BE RIGID GALV. METAL LONG RADIUS SWEEPS (36" MIN. RADIUS)
3. BRIDGE LIGHTING UNITS B1 THRU B6 SHALL BE FURNISHED AND INSTALLED BY VILLAGE OF UTICA.
4. ALL TRENCHES FOR ELECTRICAL CONDUIT UNDER ROADWAYS AND PAVED SURFACES SHALL BE BACKFILLED WITH TRENCH BACKFILL (INCIDENTAL).
5. ALL LIGHT POLES SHALL BE INDIVIDUALLY GROUNDED.

LIGHT POLE FOUNDATION, 24" DIAMETER

LOCATION	FOOT
R1 STA 181+74, RT	4.17
R2 STA 183+68, RT	4.17
R3 STA 185+61.7, RT	4.17
TOTAL	12.5

REMOVAL OF POLE FOUNDATION

LOCATION	EACH
STA 178+00, RT	1
STA 182+03, LT	1
STA 183+68, RT	1
STA 185+61.7, RT	1
TOTAL	4

RELOCATE EXISTING LIGHTING UNIT

LOCATION	EACH
STA 182+03, LT	1
STA 183+68, RT	1
STA 185+61.7, RT	1
TOTAL	3

REMOVAL OF LIGHTING UNIT, SALVAGE

LOCATION	EACH
STA 178+00, RT	1
TOTAL	1