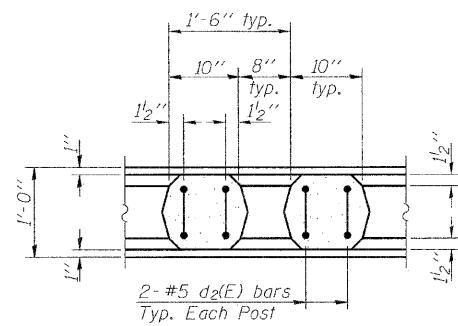
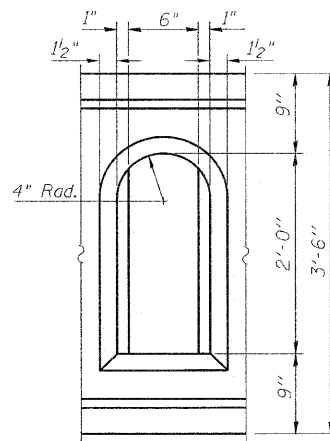


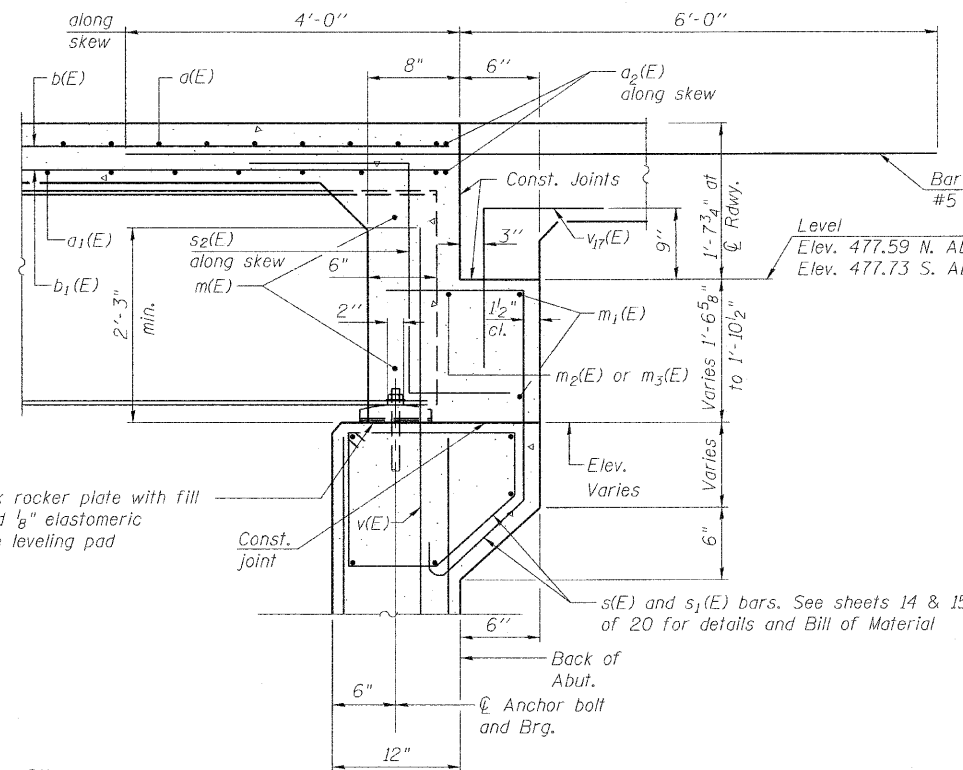
STATE OF ILLINOIS  
DEPARTMENT OF TRANSPORTATION



SECTION E-E



WINDOW DETAIL

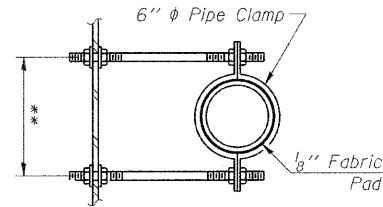


SECTION A-A

Dimensions at right angles to abutment, except as shown.

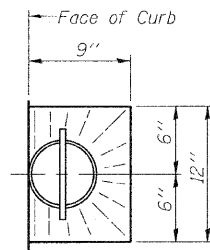
**SUPERSTRUCTURE  
BILL OF MATERIAL**

Bar	No.	Size	Length	Shape
a(E)	98	#5	43'-9"	—
a1(E)	60	#5	41'-6"	—
a2(E)	8	#5	27'-2"	—
b(E)	63	#5	44'-9"	—
b1(E)	41	#5	44'-9"	—
c(E)	90	#5	2'-5"	┘
c1(E)	45	#5	7'-8"	—
c2(E)	45	#5	5'-8"	—
d(E)	88	#5	3'-9"	┘
d1(E)	88	#5	5'-7 1/2"	┘
m(E)	24	#6	10'-11"	—
m1(E)	8	#6	27'-3"	—
m2(E)	2	#6	30'-0"	—
m3(E)	2	#6	24'-10"	—
s2(E)	92	#5	5'-1"	┘
v1(E)	90	#5	3'-4"	┘
Reinforcement Bars, Epoxy Coated		Pound	15,550	
Concrete Superstructure		Cu. Yd.	79.8	
Concrete Bridge Rail, Sidewalk Mounted		Foot	190	
Floor Drains		Each	6	
Conduit Embedded in Structure, 2" Dia., Galvanized Steel		Foot	210	
Conduit Embedded in Structure, 1 1/4" Dia., PVC		Foot	238	
Anchor Bolts, 1/2"		Each	18	

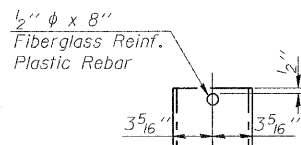


SECTION F-F

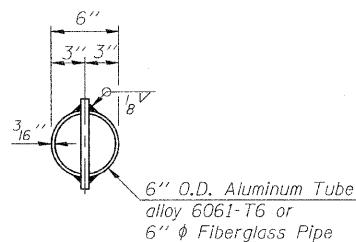
\*\*Dimension as required by Pipe Clamp



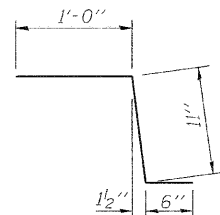
TOP PLAN



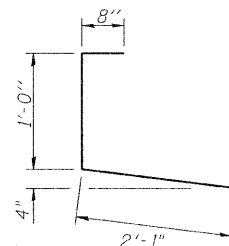
FIBERGLASS PIPE



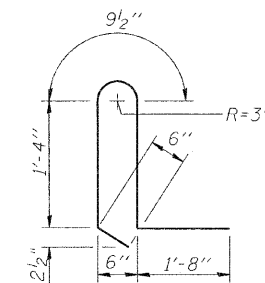
TOP PLAN (Showing Aluminum Tube)



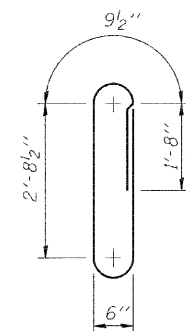
BAR c(E)



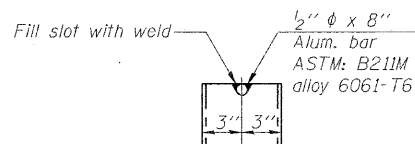
BAR d(E)



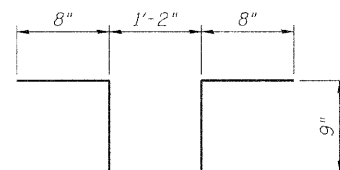
BAR d1(E)



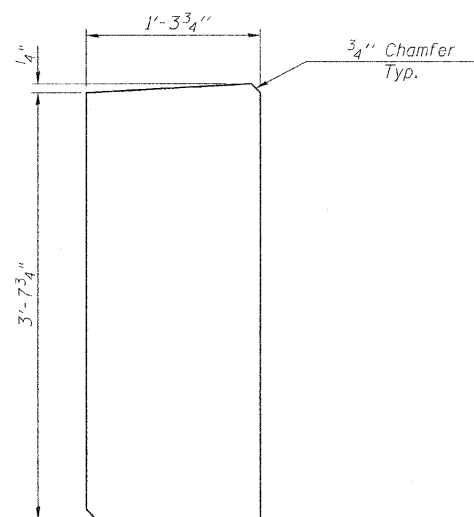
BAR d2(E)



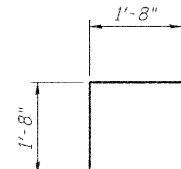
ALUMINUM TUBE



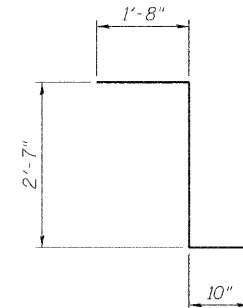
BAR d5(E)



PILASTER JOINT  
ALUMINUM JOINT DETAIL



BAR v17(E)



BAR s2(E)

**MIN. BAR LAP**

#6 bars = 2'-9"  
#5 bars = 2'-3"

Notes:  
The exterior surfaces of the floor drains shall be painted with the finish coat as specified in the special provisions for Cleaning and Painting New Metal Structures. The exterior surfaces of the drains shall be cleaned according to Steel Structures Painting Council's Spec. SSPC-SPI prior to painting. Fiberglass pipe shall conform to ASTM D 2996, with short-time rupture strength hoop tensile stress of 30,000 p.s.i. minimum. Galvanize clamping device according to AASHTO M232.  
See sheet 11 of 20 for Two Approaches Bill of Material.  
See Sheet 14 & 15 of 20 for v(E) bars.

**CONCRETE BRIDGE RAILING,  
SIDEWALK MOUNTED  
STRUCTURE NO. 050-0250**

DESIGNED	CMF
CHECKED	TMM
DRAWN	RNH
CHECKED	TMM

McDonough-Whitlow, P.C.  
Consulting Engineers & Land Surveyors  
138 East Wood Street  
Hillsboro, IL 62049  
Phone: 217.532.9233  
Fax: 217.532.6300  
PROFESSIONAL DESIGN No. 184-002754

SHEET NO. 9 20 SHEETS	F.A.S. RTE.	SECTION	COUNTY	TOTAL SHEETS	SHEET NO.
	1279	6R, B	LASALLE	190	111
FED. ROAD DIST. NO. ILLINOIS FED. AID PROJECT				CONTRACT NO.	66547