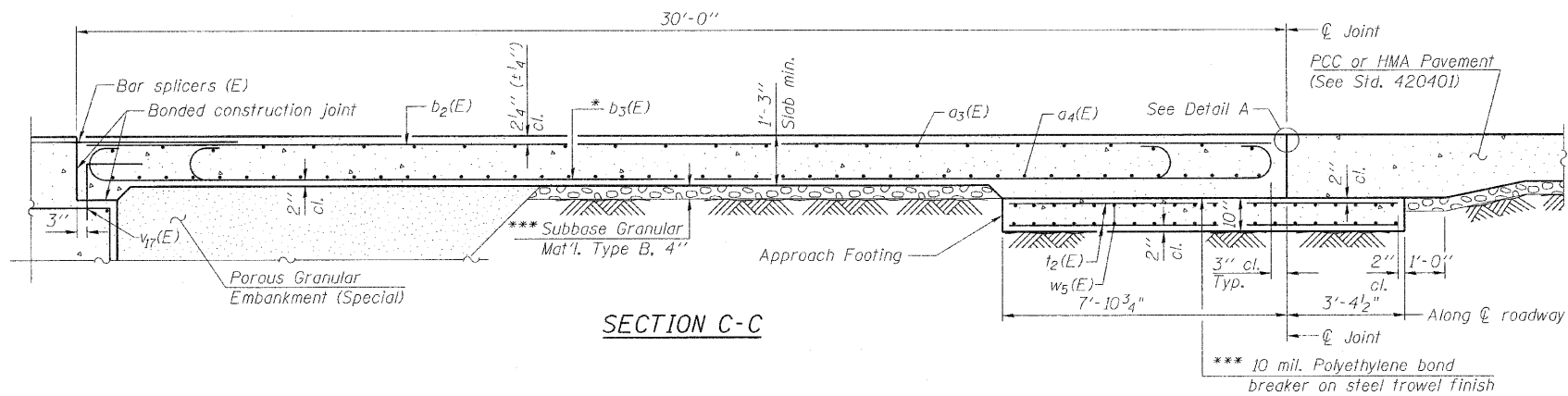
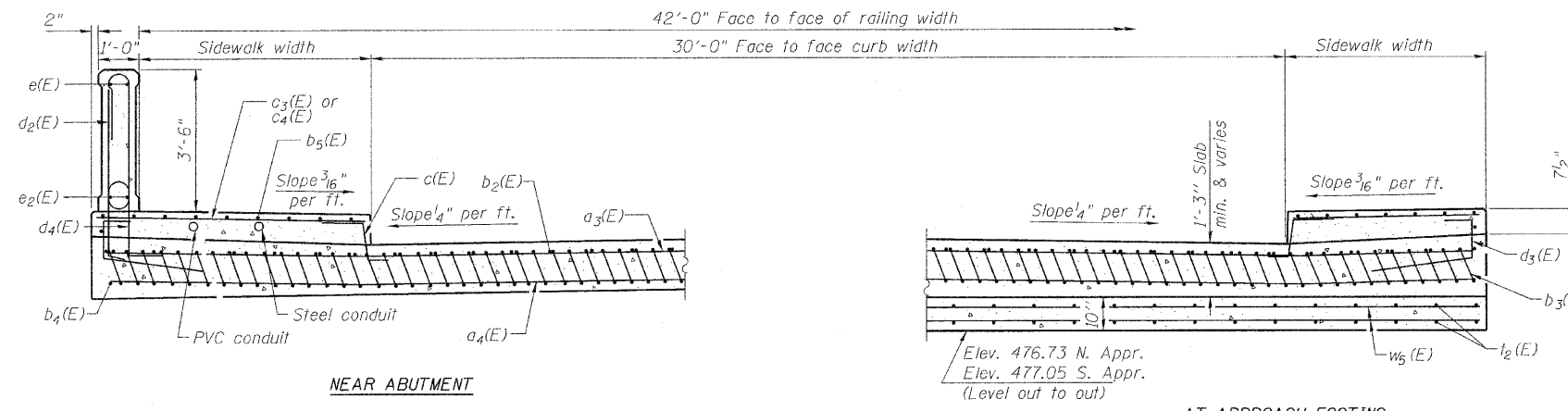


STATE OF ILLINOIS  
DEPARTMENT OF TRANSPORTATION



SECTION C-C



NEAR ABUTMENT

SECTION D-D

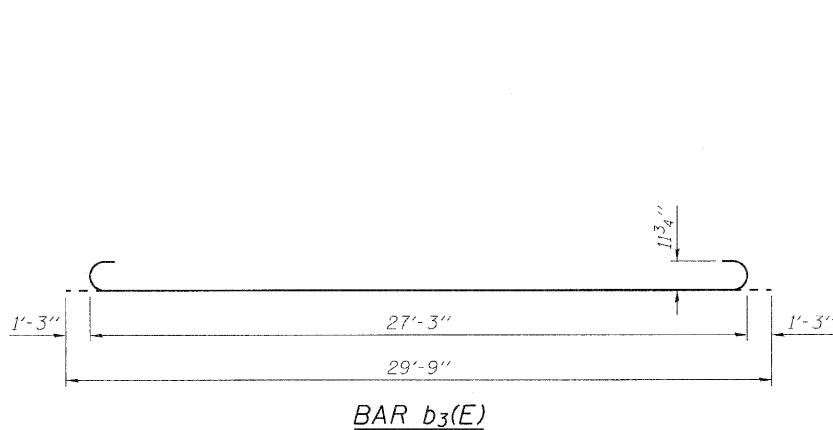
(See Plan for dimensions not shown)

AT APPROACH FOOTING

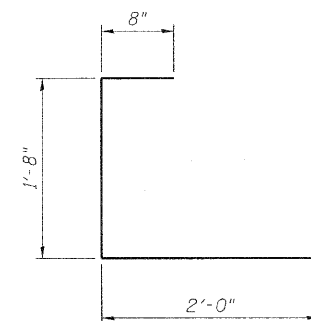
\*\*\* Cost included with Concrete Superstructure.

TWO APPROACHES  
BILL OF MATERIAL

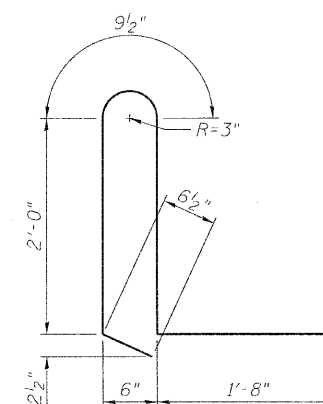
Bar	No.	Size	Length	Shape
a3(E)	50	#4	49'-7"	—
a4(E)	92	#5	49'-7"	—
b2(E)	90	#4	29'-8"	—
b3(E)	212	#9	29'-9"	⌋
b4(E)	4	#4	29'-8"	—
b5(E)	36	#5	29'-8"	—
c(E)	120	#5	2'-5"	⌋
c3(E)	60	#5	8'-10"	—
c4(E)	60	#5	6'-7"	—
d3(E)	132	#5	4'-4"	⌋
d4(E)	112	#5	7'-0"	⌋
t2(E)	180	#4	10'-11"	—
w5(E)	80	#5	49'-7"	—
Concrete Superstructure		Cu. Yd.	157.1	
Concrete Structures		Cu. Yd.	30.7	
Reinforcement Bars, Epoxy Coated		Pound	38,970	



BAR b3(E)



BAR d3(E)



BAR d4(E)

Notes:

See sheet 10 of 20 for Detail A and View B-B.  
Approach slab and sidewalk concrete shall be paid for as Concrete Superstructure.  
Approach footing concrete shall be paid for as Concrete Structures.  
Reinforcement shall be paid for as Reinforcement Bars, Epoxy Coated.  
For c(E), d2(E), and v7(E) bar details, see sheet 9 of 20.  
The approach footing maximum applied service bearing pressure (Omax) = 2.0 ksf.  
For bar splicer details, see sheet 18 of 20.  
Cost of excavation for approach footing included with Concrete Structures.  
For Porous Granular Embankment (Special) and drainage treatment details, see sheet 16 of 20.  
Concrete Bridge Rail, Sidewalk Mounted is included in the Superstructure Bill of Material.  
Bars designated d2(E), e(E), and e2(E) are included in the Concrete Bridge Rail Bar List, and are included in the Cost of Concrete Bridge Rail, Sidewalk Mounted.

BRIDGE APPROACH SLAB DETAILS  
STRUCTURE NO. 050-0250

DESIGNED	CMF
CHECKED	TMM
DRAWN	RNH
CHECKED	TMM

**McDonough-Whitlow, P.C.**  
Consulting Engineers & Land Surveyors  
138 East Wood Street  
Hillsboro, IL 62049  
Phone: 217.532.9233  
Fax: 217.532.6300  
PROFESSIONAL DESIGN NO. 184-002754

SHEET NO. 11 20 SHEETS	F.A.S. RTE.	SECTION	COUNTY	TOTAL SHEETS	SHEET NO.
	1279	6R, B	LASALLE	190	113
			CONTRACT NO.	66547	
FED. ROAD DIST. NO. ILLINOIS FED. AID PROJECT					