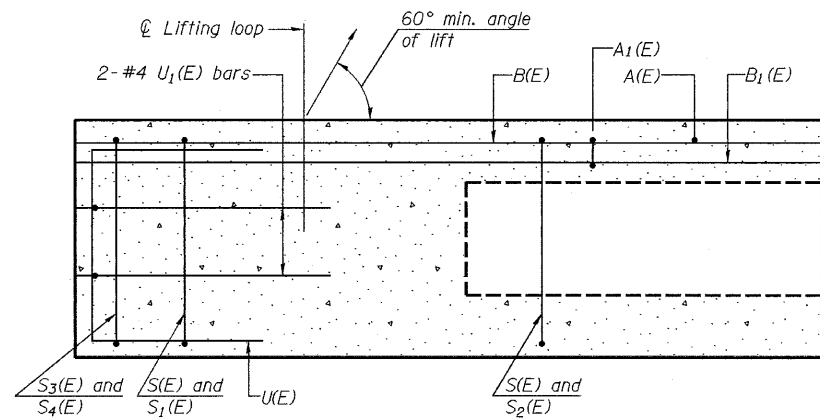
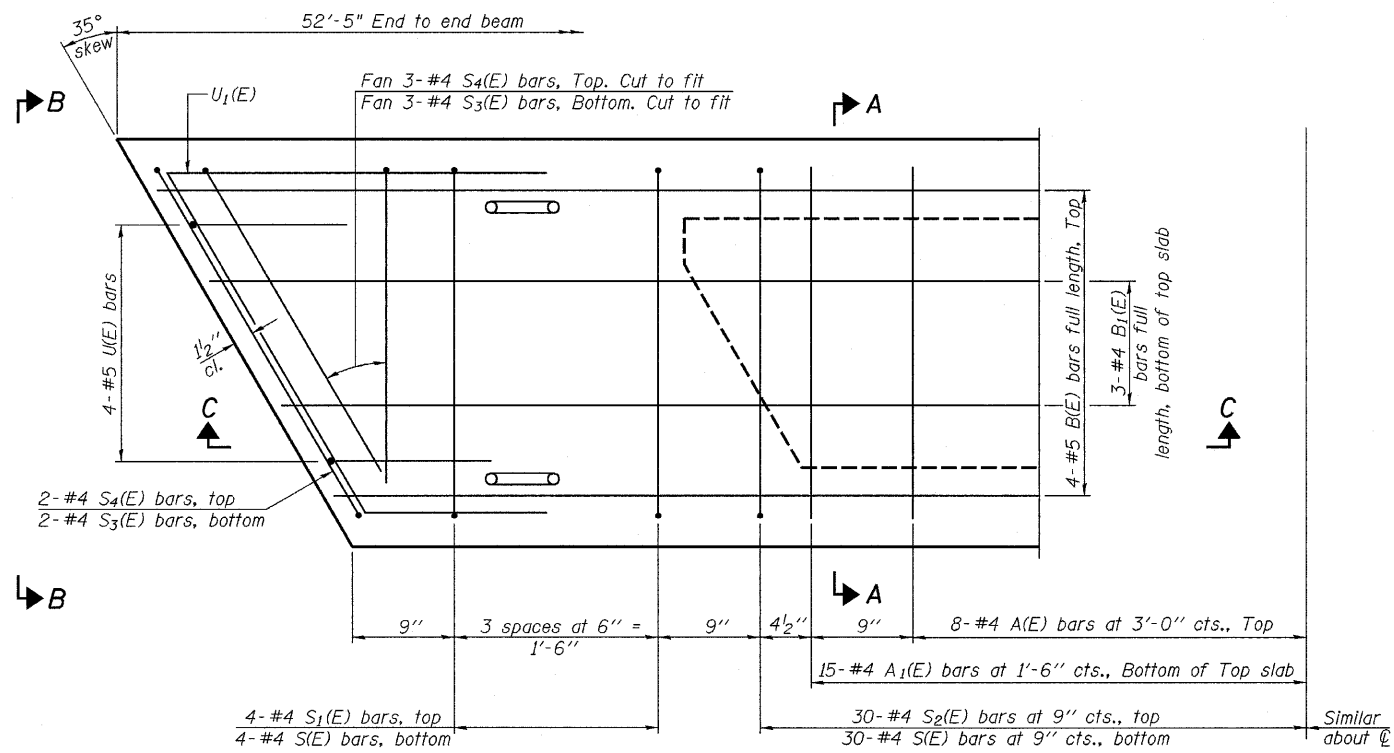


STATE OF ILLINOIS
DEPARTMENT OF TRANSPORTATION

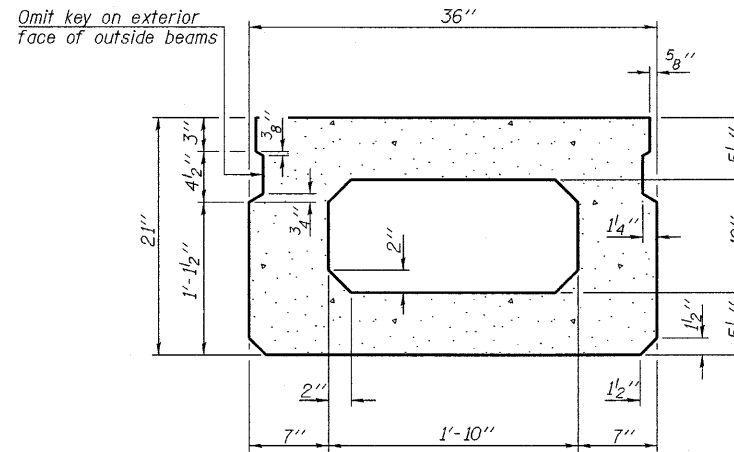


SECTION C-C

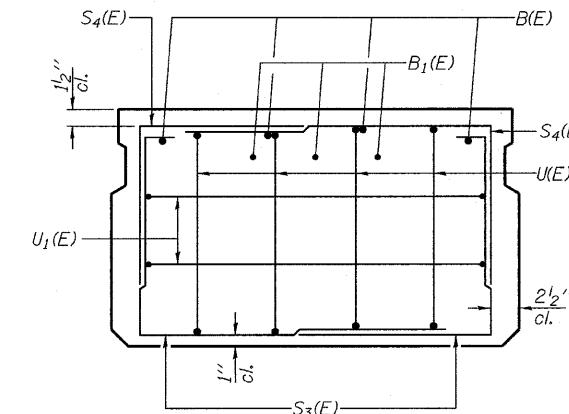


PLAN VIEW

Note: Spacing of S(E) and S2(E) bars may be adjusted up to 4" in the immediate area of the transverse tie diaphragms to miss the block outs for the transverse ties.

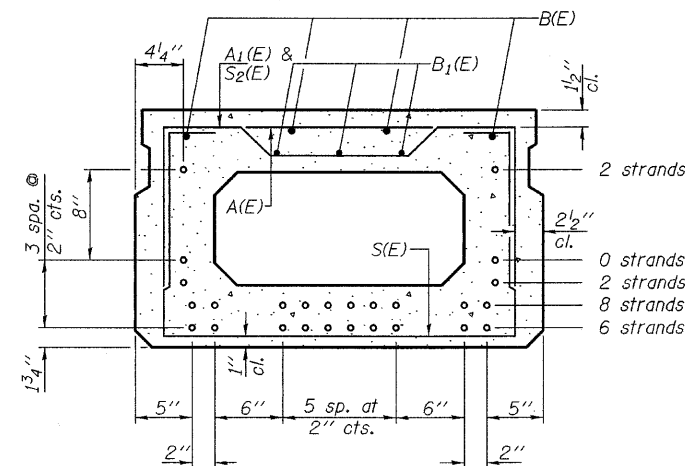


SECTION A-A
(Showing dimensions)



VIEW B-B

Note: Exterior beams shall be cast with D(E) bars for curb. See detail on sheet 2 of 17



SECTION A-A
(Showing reinforcement and permissible strand locations)

Note: Place the number of strands specified in each row symmetrically about the centerline of beam in the permissible strand locations shown.

BAR LIST
ONE BEAM ONLY

(For information only)

Bar	No.	Size	Length	Shape
A(E)	15	#4	2'-7"	—
A1(E)	30	#4	2'-10"	—
B(E)	8	#5	27'-0"	—
B1(E)	6	#4	26'-9"	—
D(E)*	53	#5	3'-11"	┌
S(E)	68	#4	6'-5"	┌
S1(E)	8	#4	4'-11"	┌
S2(E)	68	#4	5'-2"	┌
S3(E)	10	#4	5'-0"	┌
S4(E)	10	#4	4'-3"	┌
U(E)	8	#5	4'-0"	┌
U1(E)	4	#4	7'-3"	┌

Note: See sheet 4 of 17 for additional details and Bill of Material.

* Exterior Beams only

SPAN 1
21" X 36" PPC DECK BEAM
STRUCTURE NO. 050-7201

DESIGNED	JKC
CHECKED	GAE
DRAWN	NV
CHECKED	JKC

PD-2136-R

10-1-08

CHAMLIN & ASSOCIATES
PERU ILLINOIS MORRIS

SHEET NO. 3 17 SHEETS	F.A.S. RTE.	SECTION	COUNTY	TOTAL SHEETS	SHEET NO.
	1279	6R, B	LA SALLE	190	125
SN 050-7201			CONTRACT NO. 66547		
FED. ROAD DIST. NO.		ILLINOIS FED. AID PROJECT			