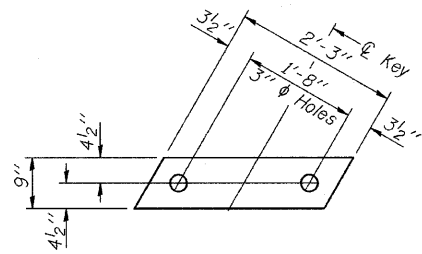
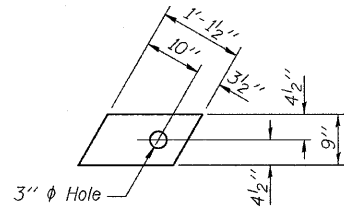


STATE OF ILLINOIS
DEPARTMENT OF TRANSPORTATION

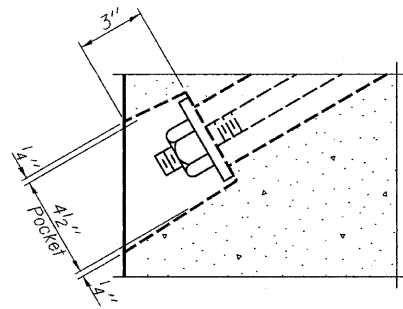


FABRIC BEARING PAD
(Interior)

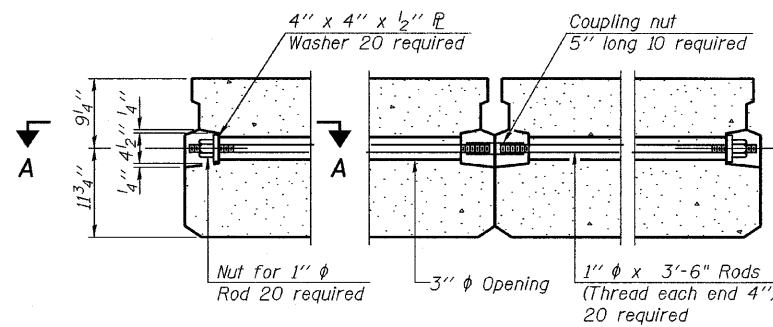


FABRIC BEARING PAD
(Exterior)

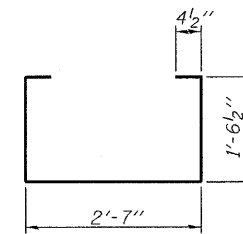
FIXED



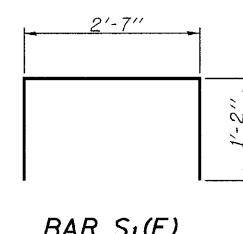
SECTION A-A



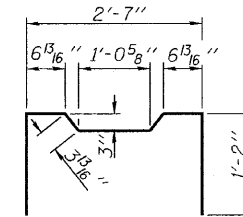
TYPICAL TRANSVERSE TIE ASSEMBLY



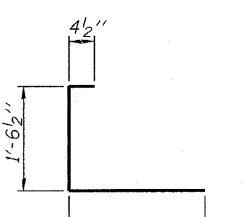
BAR S(E)



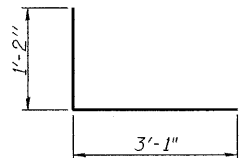
BAR S₁(E)



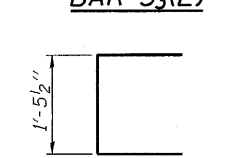
BAR S₂(E)



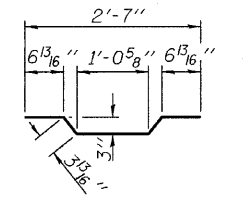
BAR S₃(E)



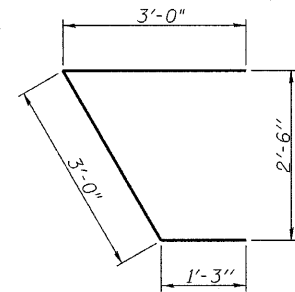
BAR S₄(E)



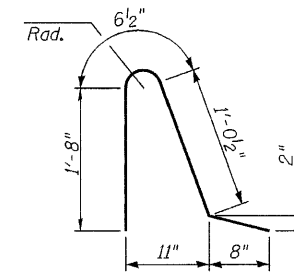
BAR UE(E)



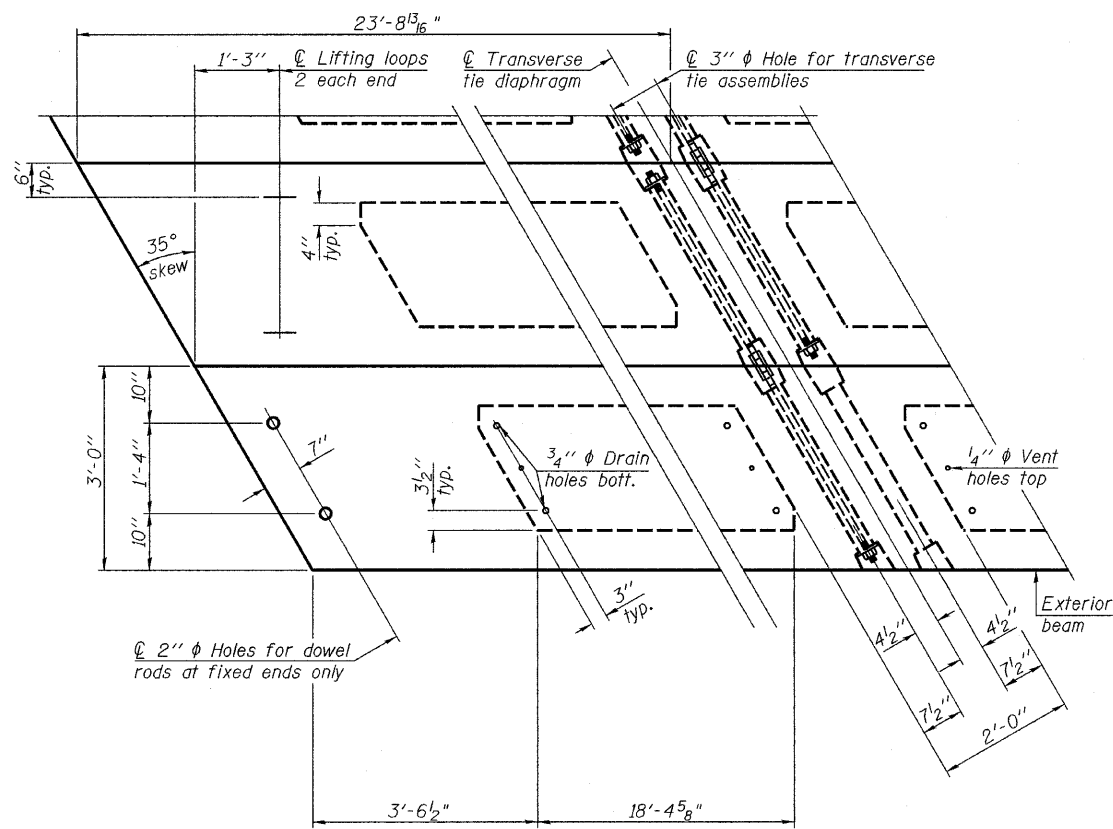
BAR A₁(E)



BAR U₁(E)



BAR D(E)

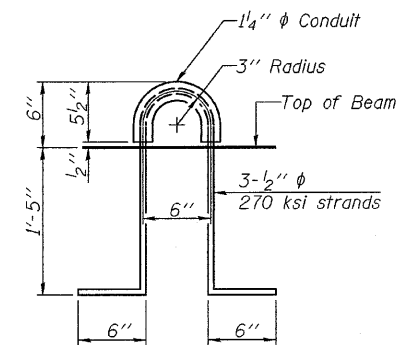


PLAN VIEW

Note: Connect beams in pairs with the transverse tie configuration shown.

NOTES

- Prestressing steel shall be uncoated high strength, low relaxation 7-wire strand, Grade 270. The nominal diameter shall be 1/2" and the nominal cross-sectional area shall be 0.153 sq. in.
- The 1" rods in the transverse tie assembly shall be tightened to a snug fit and the threads set. Pockets on exterior faces of bridge shall be filled with grout after transverse tie assembly is in place.
- Reinforcement bars shall conform to ASTM A 706, Grade 60. (See Special Provisions).
- Two 1/8" fabric adjusting shims of the dimensions of the exterior bearing pad shall be provided for each bearing pad location.
- A minimum 2 1/2" diameter lifting pin shall be used to engage the lifting loops during handling.
- Corrosion Inhibitor, per Article 1020.05(b)(12) and 1021.06 of the Standard Specifications, shall be used in the concrete for precast prestressed concrete deck beams.
- Compressive strength of prestressed concrete, f'c, shall be 6000 psi.
- Compressive strength of prestressed concrete at release, f'ci, shall be 5000 psi.



LIFTING LOOP DETAIL

BILL OF MATERIAL

Precast Prestressed Conc. Deck Bms. (21" depth)	Sq. Ft.	1566
---	---------	------

SPAN 2
21" X 36" PPC DECK BEAM DETAILS
STRUCTURE NO. 050-7201

DESIGNED JKC
CHECKED GAE
DRAWN NV
CHECKED JKC

PD-2136-RD 10-1-08

CHAMLIN & ASSOCIATES
PERU ILLINOIS MORRIS

SHEET NO. 6 17 SHEETS	F.A.S. RTE. 1279	SECTION 6R, B	COUNTY LA SALLE	TOTAL SHEETS 190	SHEET NO. 128
	SN 050-7201		CONTRACT NO. 66547		
FED. ROAD DIST. NO.		ILLINOIS FED. AID PROJECT			