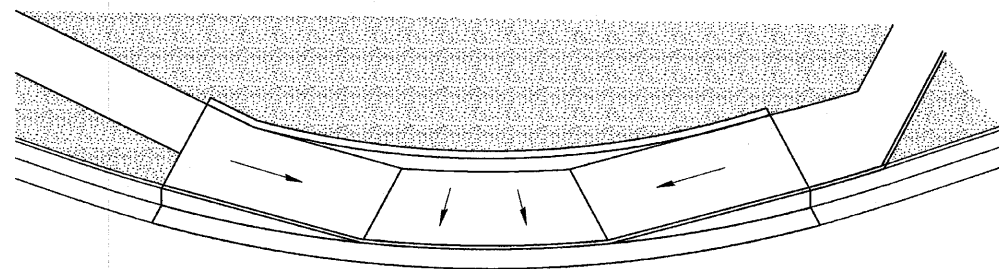


LEGEND
 ▨ SLOPE = 2%
 * SLOPE = 1:12 MAX.

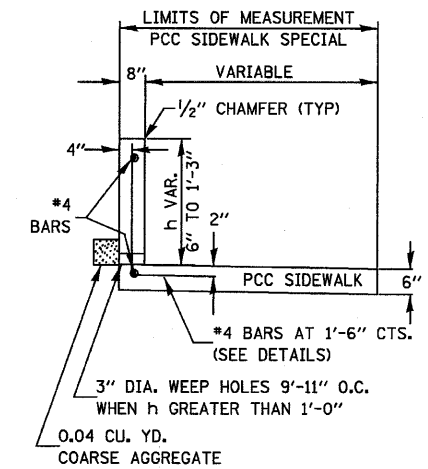


ADA SIDEWALK ACCESSIBILITY RAMPS
 RT STA 12+72.25 (LINCOLN STREET)

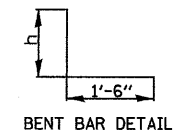


LEGEND
 ■ GRASS

ADA SIDEWALK ACCESSIBILITY RAMPS
PERSPECTIVE
 RT STA 12+72.25 (LINCOLN STREET)



TYPE 1



PCC SIDEWALK 6 INCH, SPECIAL

FILE NAME = 0366547-SHT-DETS.DGN	USER NAME = ---	DESIGNED - JKC	REVISED -
		DRAWN - LAG	REVISED -
	PLOT SCALE = 1"=50'	CHECKED - JKC	REVISED -
	PLOT DATE = 08/10	DATE - 08/10	REVISED -

STATE OF ILLINOIS
DEPARTMENT OF TRANSPORTATION

DETAILS

SCALE: NONE SHEET NO. OF SHEETS STA. TO STA.

F.A.S. RTE.	SECTION	COUNTY	TOTAL SHEETS	SHEET NO.
1279	6R,B	LASALLE	190	145
CONTRACT NO. 66547				
FED. ROAD DIST. NO. ILLINOIS FED. AID PROJECT				