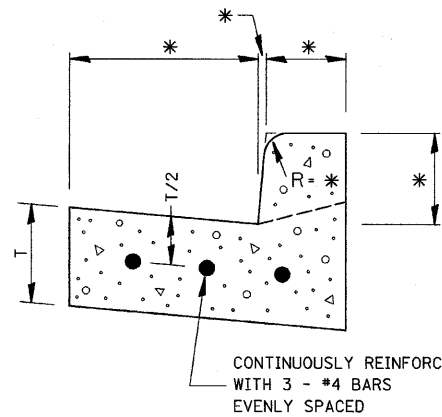


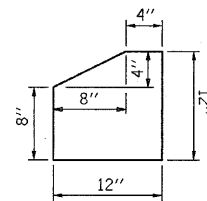
* VARIES - SEE STANDARD 606001



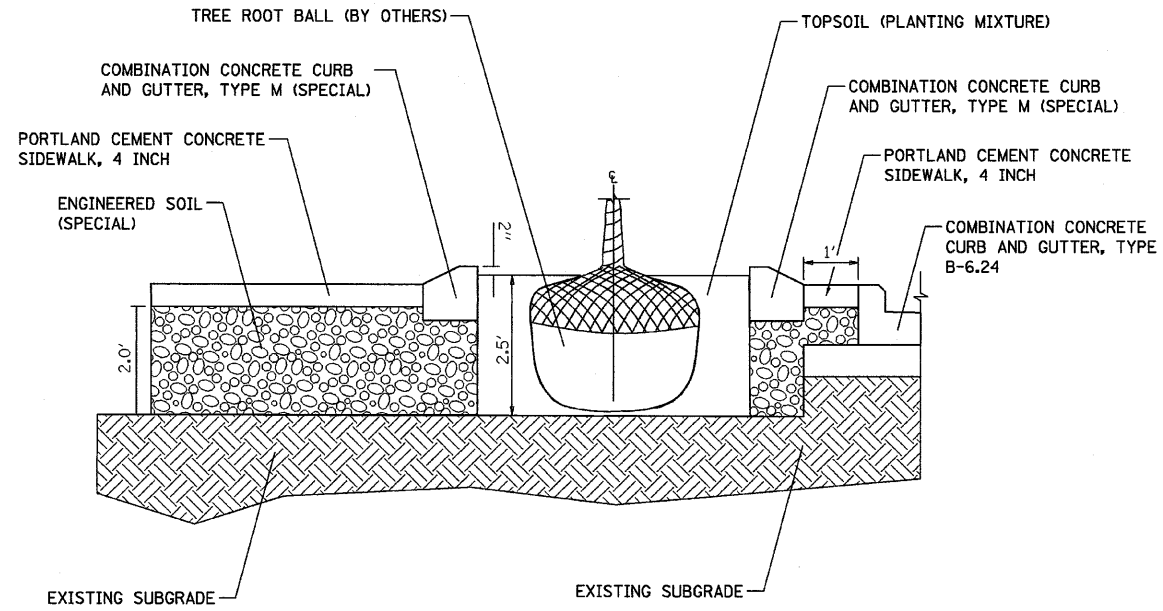
CONTINUOUSLY REINFORCED WITH 3 - #4 BARS EVENLY SPACED

REINFORCEMENT SHALL NOT BE PAID FOR SEPARATELY BUT WILL BE INCLUDED IN THE CONTRACT UNIT PRICE FOR CC&G.

REINFORCEMENT DETAIL FOR COMBINATION CONCRETE CURB AND GUTTER

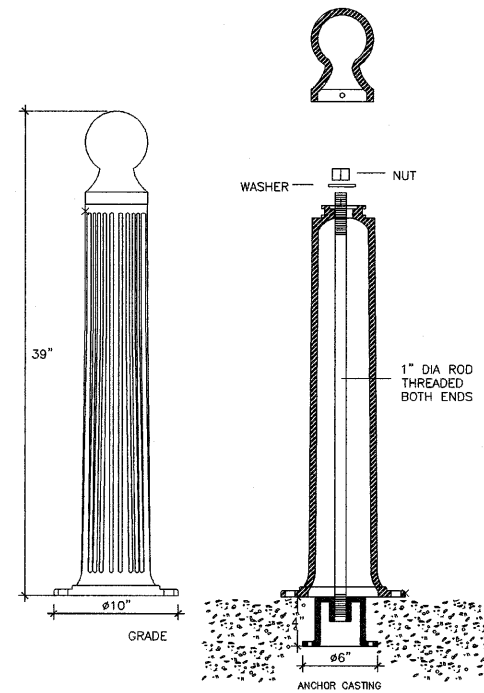


COMBINATION CONCRETE CURB AND GUTTER, TYPE M (SPECIAL) DETAIL

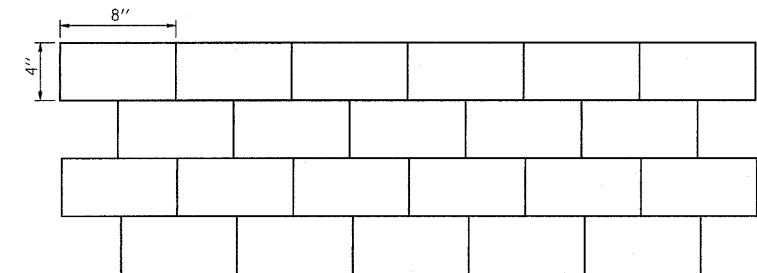


TYPICAL SIDEWALK/PLANTER SECTION WITH ENGINEERED SOIL (SPECIAL)
N.T.S.

Standard Installation



BOLLARDS DETAIL



STAMPED CONCRETE IN A 4" X 8" RUNNING BOND PATTERN, BRICK RED COLOR WITH CHARCOAL RELEASE AGENT TO MATCH COLOR AND PATTERN CURRENTLY IN USE IN UTICA CROSSWALKS. SEE SHEETS 77-79 FOR LAYOUT AND DIMENSIONS OF CROSSWALKS.

PAVEMENT COLOR AND TEXTURED (SPECIAL)

| | | | |
|-------------------------------------|-----------------|----------------|-----------|
| FILE NAME - D366547-SHT-DETS.DGN | USER NAME - --- | DESIGNED - JKC | REVISED - |
| | | DRAWN - LAG | REVISED - |
| | | CHECKED - JKC | REVISED - |
| | | DATE - 08/10 | REVISED - |

STATE OF ILLINOIS
DEPARTMENT OF TRANSPORTATION

DETAILS

SCALE: NONE SHEET NO. OF SHEETS STA. TO STA.

| | | | | |
|---|-----------------|-------------------|---------------------|------------------|
| F.A.S. RTE. 1279 | SECTION 6R.B | COUNTY LASALLE | TOTAL SHEETS 190 | SHEET NO. 148 |
| FED. ROAD DIST. NO. ILLINOIS FED. AID PROJECT | | | CONTRACT NO. 66547 | |