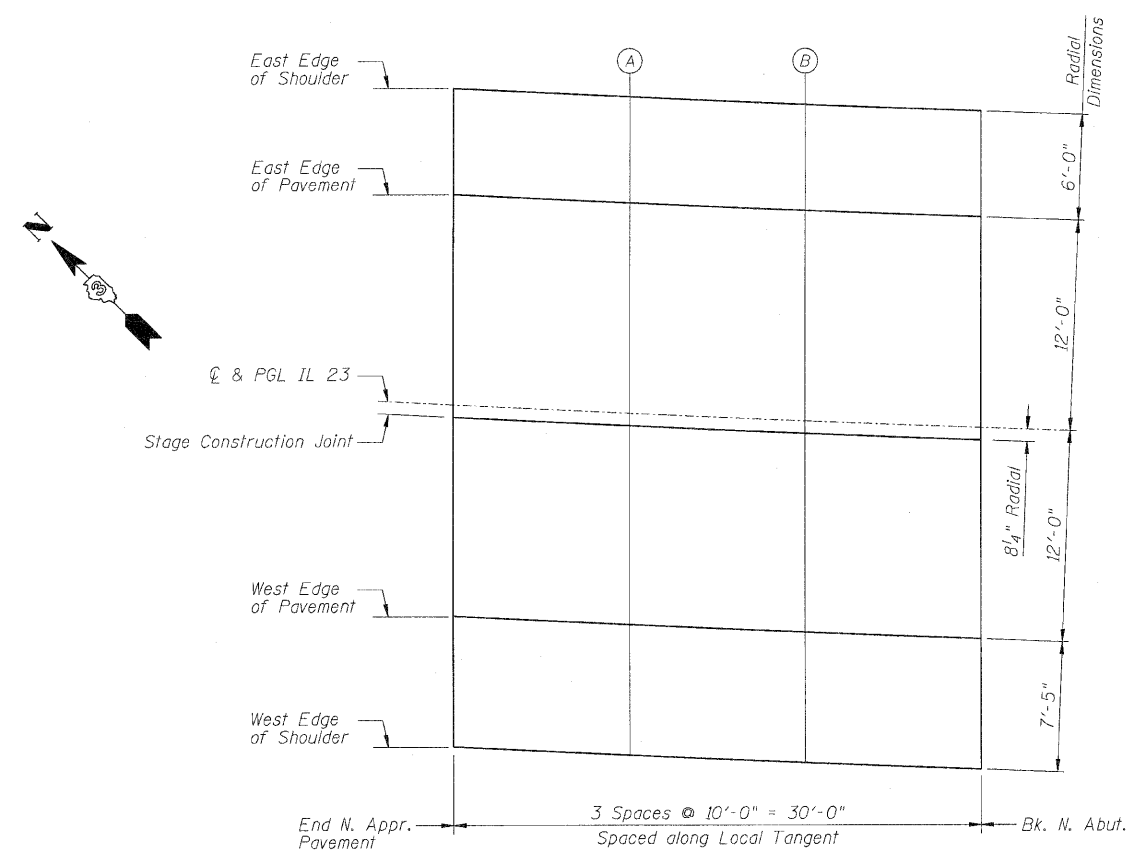


STATE OF ILLINOIS
DEPARTMENT OF TRANSPORTATION



PLAN FOR TOP OF SLAB ELEVATIONS

EAST EDGE OF SHOULDER

Location	Station	Offset	Theoretical Grade Elevations
End N. Appr. Pvmt.	624+77.28	-18.00	602.06
A	624+87.38	-18.00	602.13
B	624+97.48	-18.00	602.19
Bk. N. Abut.	625+07.57	-18.00	602.26

EAST EDGE OF PAVEMENT

Location	Station	Offset	Theoretical Grade Elevations
End N. Appr. Pvmt.	624+77.59	-12.00	602.42
A	624+87.66	-12.00	602.49
B	624+97.73	-12.00	602.56
Bk. N. Abut.	625+07.79	-12.00	602.62

CL & PGL IL 23

Location	Station	Offset	Theoretical Grade Elevations
End N. Appr. Pvmt.	624+78.21	0.00	603.15
A	624+88.22	0.00	603.21
B	624+98.23	0.00	603.28
Bk. N. Abut.	625+08.23	0.00	603.34

STAGE CONSTRUCTION JOINT

Location	Station	Offset	Theoretical Grade Elevations
End N. Appr. Pvmt.	624+78.24	0.69	603.19
A	624+88.25	0.69	603.25
B	624+98.25	0.69	603.32
Bk. N. Abut.	625+08.26	0.69	603.39

WEST EDGE OF PAVEMENT

Location	Station	Offset	Theoretical Grade Elevations
End N. Appr. Pvmt.	624+78.81	12.00	603.87
A	624+88.77	12.00	603.94
B	624+98.72	12.00	604.00
Bk. N. Abut.	625+08.67	12.00	604.07

WEST EDGE OF SHOULDER

Location	Station	Offset	Theoretical Grade Elevations
End N. Appr. Pvmt.	624+79.18	19.42	604.32
A	624+89.10	19.42	604.38
B	624+99.01	19.42	604.45
Bk. N. Abut.	625+08.93	19.42	604.51

ZROKA engineering
Zroka Engineering, P.C.
4216 North Hermitage
Chicago, IL 60613

DESIGNED	LAS
CHECKED	JLA
DRAWN	SAW
CHECKED	LAS

NORTH APPROACH
TOP OF SLAB ELEVATIONS
STRUCTURE NO. 053-0189

SHEET NO. 7 OF 26 SHEETS	F.A.P. RTE.	SECTION	COUNTY	TOTAL SHEETS	SHEET NO.
	68	(102)BR-1	LIVINGSTON	58	18
		SN 053-0189	CONTRACT NO. 66822		
		FED. ROAD DIST. NO. _	ILLINOIS	FED. AID PROJECT	