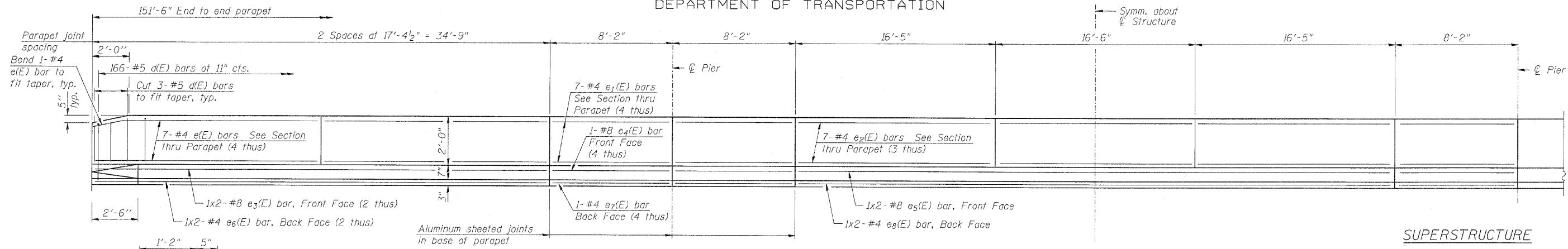
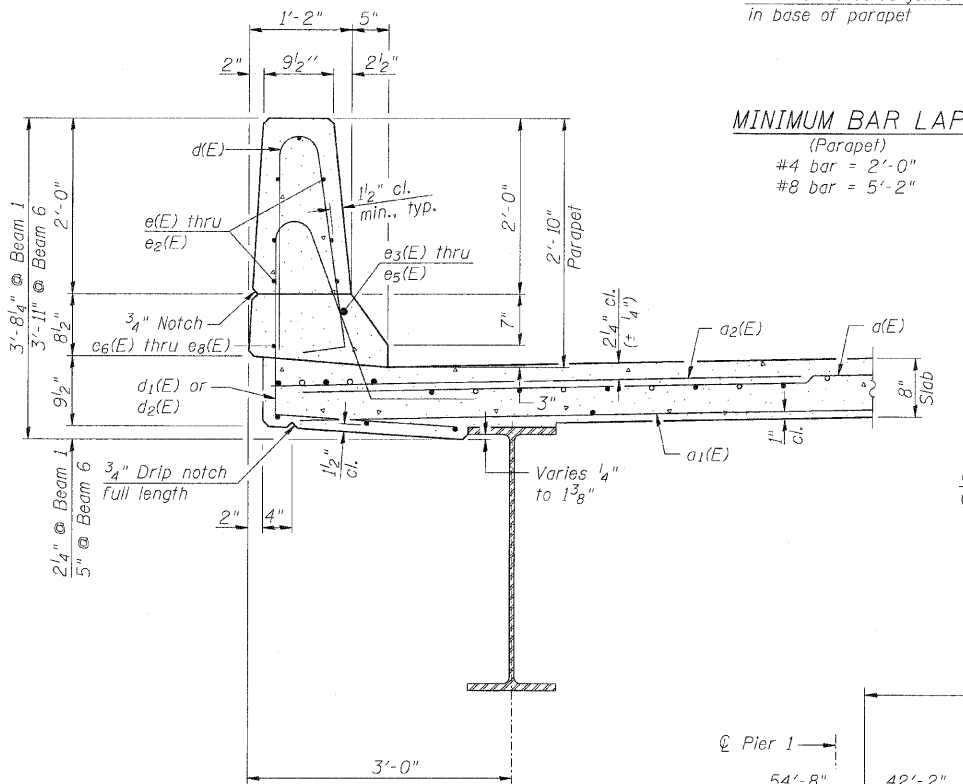


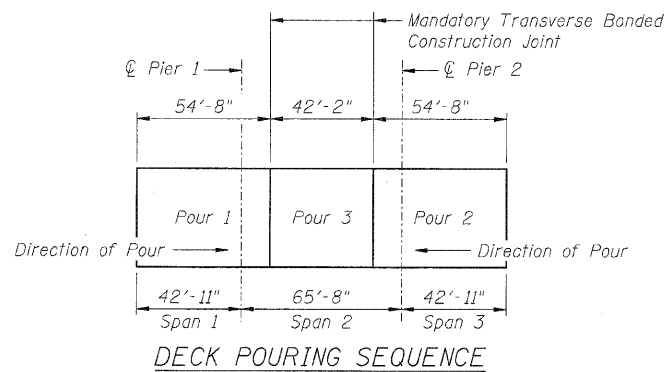
STATE OF ILLINOIS
DEPARTMENT OF TRANSPORTATION



INSIDE ELEVATION OF PARAPET



SECTION THRU PARAPET

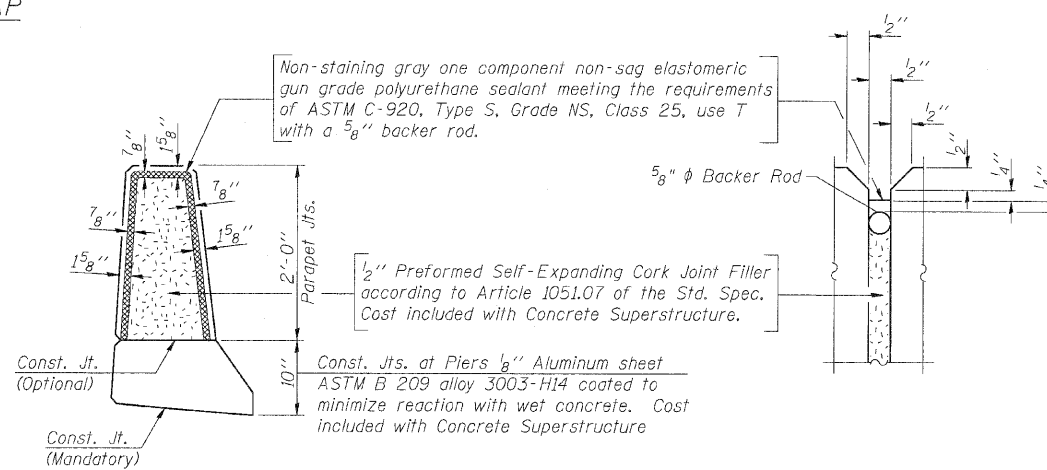


DECK POURING SEQUENCE

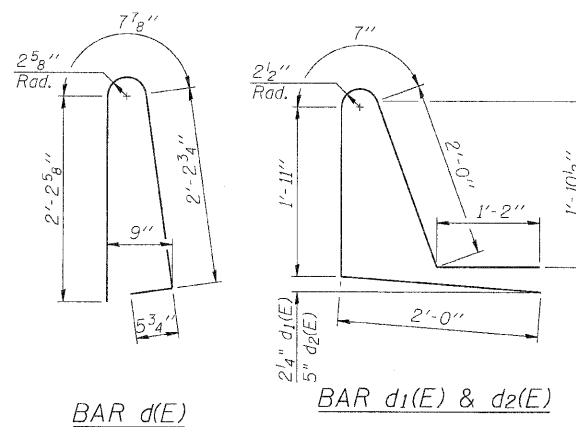
When the deck pour is stopped for the day at one or more of the transverse bonded construction joints in the deck pouring sequence as shown, the next pour shall not be made until both of the following are met:

- At least 72 hours shall have elapsed from the end of the previous pour.
- The concrete strength shall have attained a minimum flexural strength of 650 psi or a minimum compressive strength of 3500 psi.

Non-staining gray one component non-sag elastomeric gun grade polyurethane sealant meeting the requirements of ASTM C-920, Type S, Grade NS, Class 25, use T with a 5/8" backer rod.



PARAPET JOINT DETAILS



SUPERSTRUCTURE
BILL OF MATERIAL

Bar	No.	Size	Length	Shape
d(E)	608	#5	20'-0"	—
a1(E)	366	#5	20'-0"	—
a2(E)	608	#6	6'-6"	—
b(E)	270	#5	28'-0"	—
b1(E)	84	#6	33'-2"	—
b2(E)	252	#5	24'-5"	—
d(E)	332	#5	5'-7"	—
d1(E)	166	#5	7'-8"	—
d2(E)	166	#5	7'-8"	—
e(E)	56	#4	17'-1"	—
e1(E)	56	#4	7'-9"	—
e2(E)	42	#4	16'-2"	—
e3(E)	8	#8	19'-10"	—
e4(E)	8	#8	7'-9"	—
e5(E)	4	#8	27'-1"	—
e6(E)	8	#4	18'-3"	—
e7(E)	8	#4	7'-9"	—
e8(E)	4	#4	25'-8"	—
m(E)	20	#6	20'-0"	—
m1(E)	24	#6	8'-11"	—
m2(E)	8	#6	6'-9"	—
m3(E)	4	#6	2'-9"	—
m4(E)	4	#6	3'-1"	—
s(E)	84	#5	6'-10"	—
s1(E)	84	#4	8'-8"	—
v(E)	84	#5	3'-10"	—
Reinforcement Bars, Epoxy Coated	Pound		54,260	
Concrete Superstructure	Cu. Yd.		227.7	

Bars indicated thus: 1x2-#8 etc. indicates 1 line of bars with 2 lengths per line.

SUPERSTRUCTURE DETAILS
STRUCTURE NO. 053-0189

SHEET NO. 10 OF 26 SHEETS	F.A.P. RTE. 68	SECTION (102)BR-1	COUNTY LIVINGSTON	TOTAL SHEETS 58	SHEET NO. 21
FED. ROAD DIST. NO. _		ILLINOIS FED. AID PROJECT			

ZROKA engineering
Zroka Engineering, P.C.
4216 North Hermitage
Chicago, IL 60613

DESIGNED	LAS
CHECKED	JLA
DRAWN	SAW
CHECKED	LAS

S-I-D 11-1-09