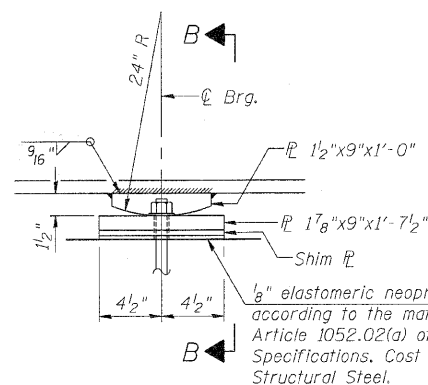
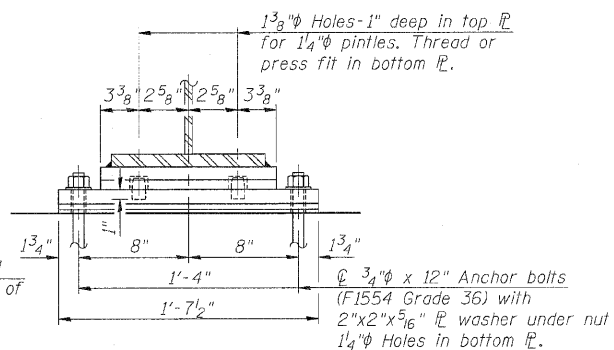


STATE OF ILLINOIS
DEPARTMENT OF TRANSPORTATION

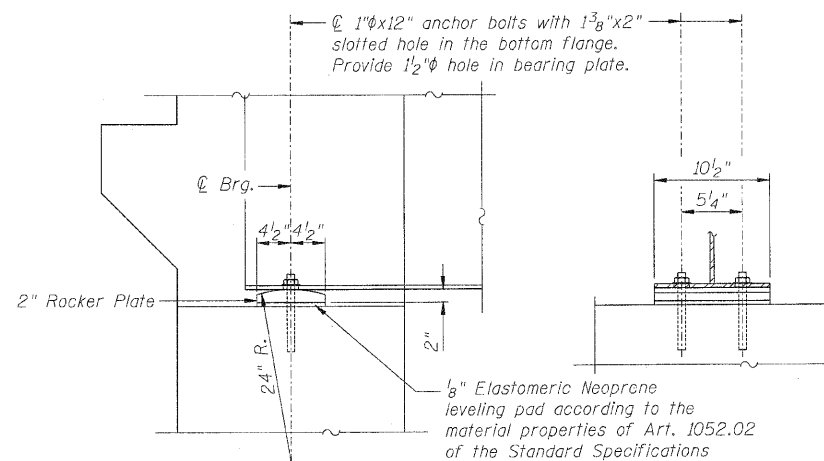


ELEVATION AT PIER

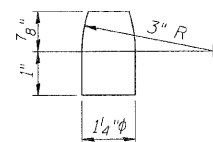
PIER BEARING DETAILS



SECTION B-B



ABUTMENT BEARING DETAILS



PINTLE

Notes:

Anchor bolts shall be ASTM F1554 all-thread (or an Engineer-approved alternate material) of the grade(s) and diameter(s) specified. ASTM A307 Grade C anchor bolts may be used in lieu of ASTM F1554 Grade 36 (Fy=36ksi). The corresponding specified grade of AASHTO M314 anchor bolts may be used in lieu of ASTM F1554.

Anchor bolts of fixed bearings may be either cast in place or installed in holes drilled after the supported member is in place.

Drilled and set anchor bolts shall be installed according to Article 521.06 of the Standard Specifications.

Load carrying components designated "NTR" shall conform to the Supplemental Requirements for Notch Toughness, Zone 2.

Two 1/8 in. adjusting shims shall be provided for each bearing in addition to all other plates or shims and placed as shown on bearing details.

The structural steel plates of the Bearing Assembly shall conform to the requirements of AASHTO M 270 Grade 50W.

BILL OF MATERIAL

Item	Unit	Total
Anchor Bolts, 1 3/8"	Each	24
Anchor Bolts, 1"	Each	24

BEARING DETAILS
STRUCTURE NO. 053-0189

ZROKA engineering
Zroka Engineering, P.C.
4216 North Hermitage
Chicago, IL 60613

DESIGNED	LAS
CHECKED	JLA
DRAWN	SAW
CHECKED	LAS

SHEET NO. 16 OF 26 SHEETS	F.A.P. RTE.	SECTION (102)BR-1	COUNTY LIVINGSTON	TOTAL SHEETS 58	SHEET NO. 27
	SN 053-0189		CONTRACT NO. 66822		
FED. ROAD DIST. NO. - ILLINOIS FED. AID PROJECT					