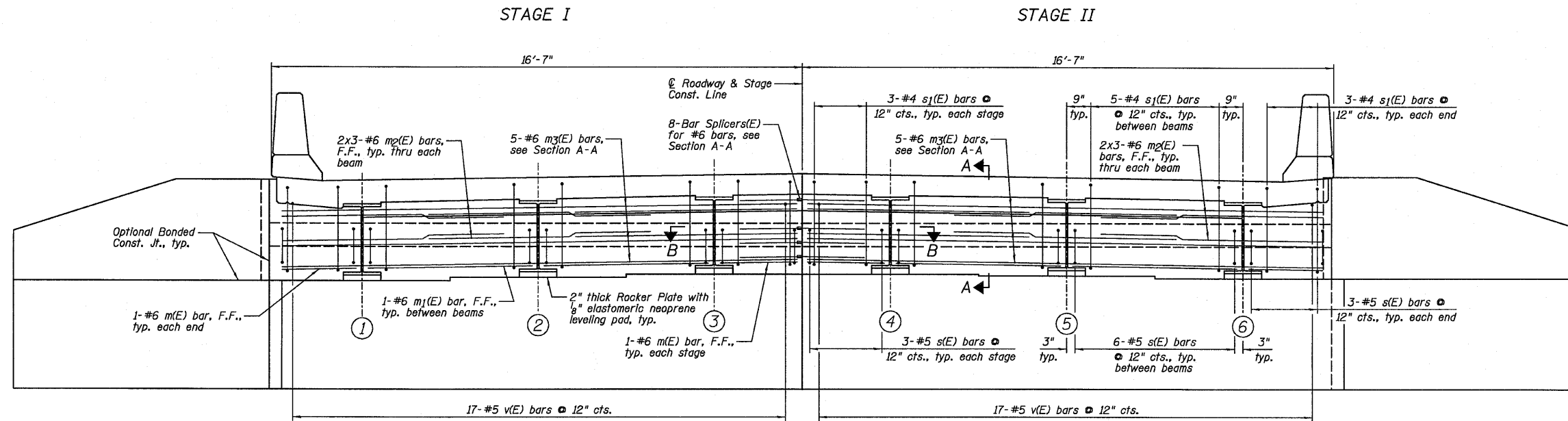
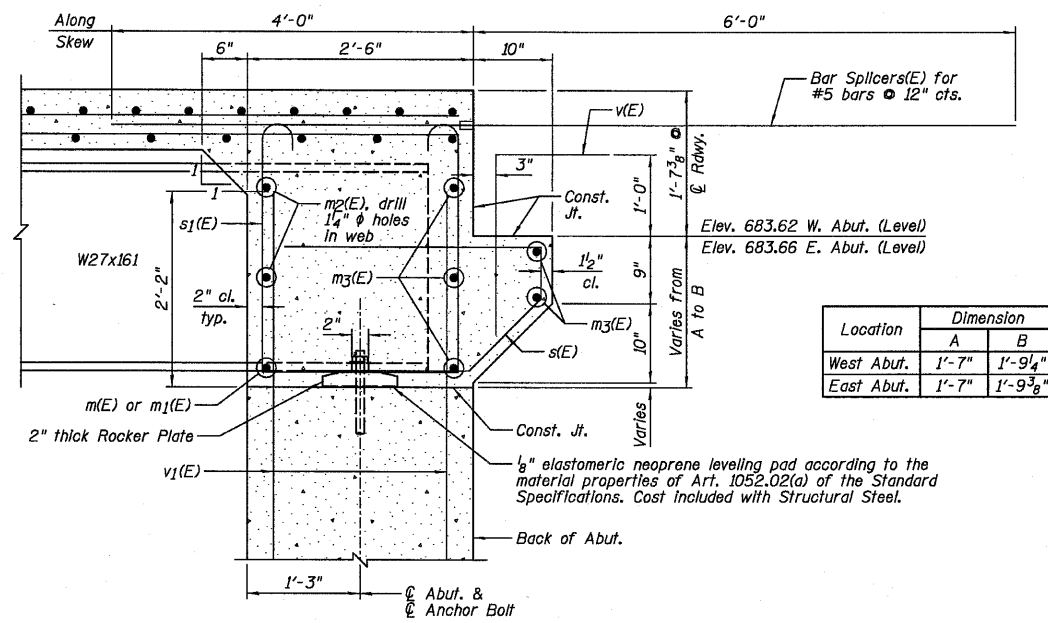


STATE OF ILLINOIS
DEPARTMENT OF TRANSPORTATION



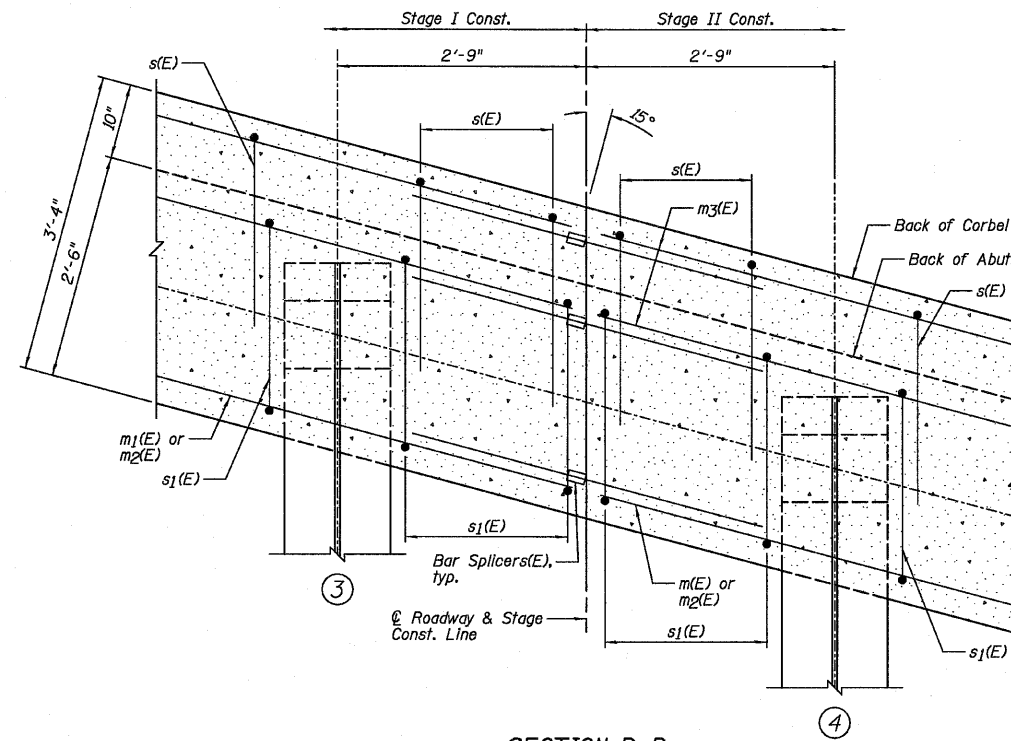
ELEVATION OF DIAPHRAGM AT EAST ABUTMENT
(Similar for West Abutment)

BAR LAP
#6 - 3'-4"



SECTION A-A

Dimensions • Rt. L's except as noted.



SECTION B-B

DIAPHRAGM DETAILS
STRUCTURE NO. 053-0188

NOTES:

- 1.) See Sheet B10 for Superstructure Details and Bill of Material.
- 2.) See Sheet B16 for Fixed Bearing Details.
- 3.) F.F. denotes Front Face.
- 4.) See Sheet B22 for Bar Splicer Details.
- 5.) Bars Indicated thus 2x3-#6 Indicates 2 lines of bars with 3 lengths per line.

DESIGNED	SDH
CHECKED	JML
DRAWN	DJM
CHECKED	MSW

DATE 08/13/10

Farnsworth
GROUP, INC.
2709 McGraw Drive
Bloomington, Illinois 61704
309/663-8435, 309/663-1571 fax

SHEET NO. B11
26 SHEETS

F.A.P. RTE.	SECTION	COUNTY	TOTAL SHEETS	SHEET NO.
317	(25)BR-2	LIVINGSTON	58	34
CONTRACT NO. 66823				
FED. ROAD DIST. NO.	ILLINOIS	FED. AID PROJECT		