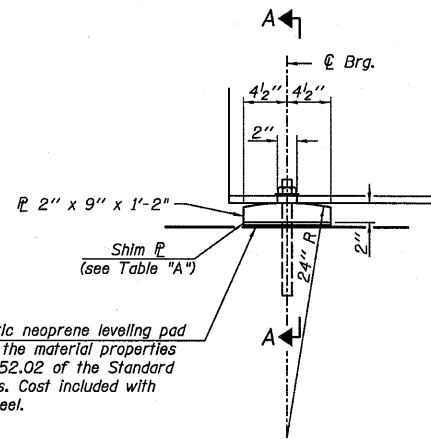
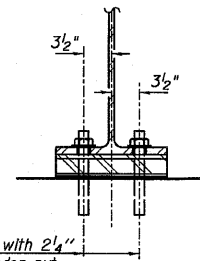


STATE OF ILLINOIS
DEPARTMENT OF TRANSPORTATION



ELEVATION AT ABUTMENTS

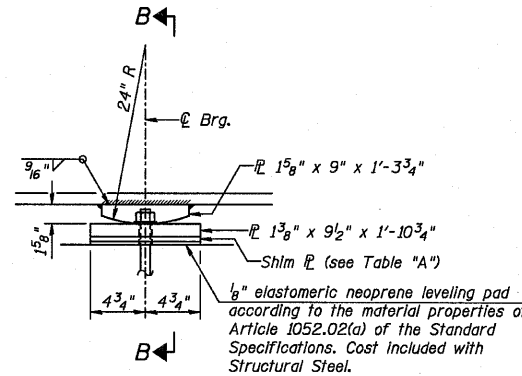


SECTION A-A

1" ϕ x 12" anchor bolts with 2 1/4" x 2 1/4" x 5/16" ϕ washer under nut. 1 3/8" x 2" slotted hole in flange. 1/2" ϕ holes in bearing plate.

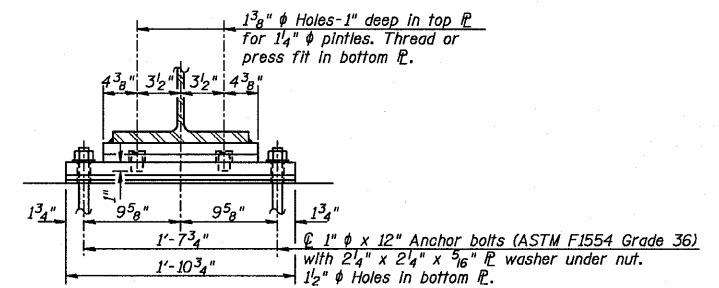
1/8" elastomeric neoprene leveling pad according to the material properties of Article 1052.02 of the Standard Specifications. Cost included with Structural Steel.

FIXED BEARING
(At West Abutment - 6 Required)
(At East Abutment - 6 Required)

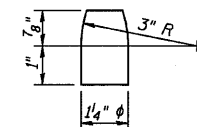


ELEVATION AT PIERS

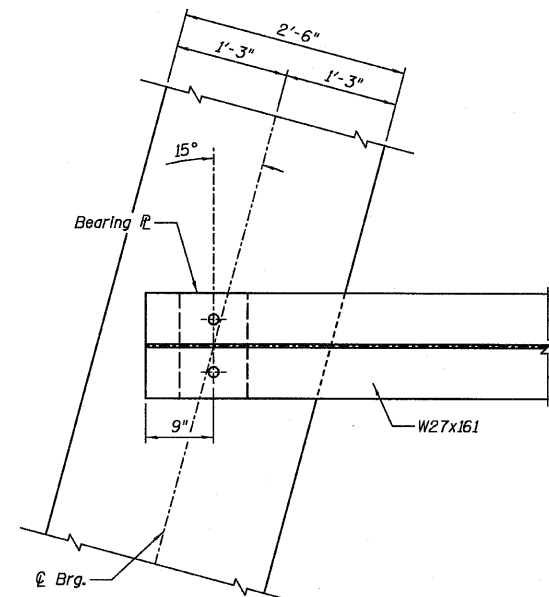
FIXED BEARING
(At Pier No. 1 - 6 Required)
(At Pier No. 2 - 6 Required)



SECTION B-B

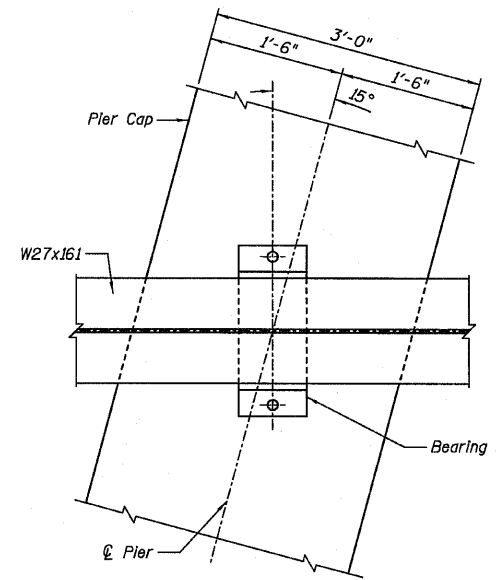


PINTLE



BEARING PLAN AT ABUTMENTS

Notes:
Anchor bolts shall be ASTM F1554 all-thread (or an Engineer-approved alternate material) of the grade(s) and diameter(s) specified. ASTM A307 Grade C anchor bolts may be used in lieu of ASTM F1554 Grade 36 (Fy=36ksi). The corresponding specified grade of AASHTO M314 anchor bolts may be used in lieu of ASTM F1554.
Anchor bolts at fixed bearings may be either cast in place or installed in holes drilled after the supported member is in place.
Drilled and set anchor bolts shall be installed according to Article 521.06 of the Standard Specifications.



BEARING PLAN AT PIERS

TABLE "A"

Beam No.	Shim Thickness
West Abut. - 2	1/8"
West Abut. - 3	1/4"
Pier No. 2 - 4	5/8"
East Abut. - 4	1/2"

BILL OF MATERIAL

Item	Unit	Total
Anchor Bolts, 1"	Each	48

DESIGNED	SDH
CHECKED	JML
DRAWN	DJM
CHECKED	MSW

DATE 08/13/10

NOTE:

Two 1/8 in. adjusting shims shall be provided for each bearing in addition to all other plates or shims and placed as shown on bearing details.

Farnsworth
GROUP, INC.
2709 McGraw Drive
Bloomington, Illinois 61704
309/663-8435, 309/663-1571 fax

SHEET NO. B16
26 SHEETS

F.A.P. RTE.	SECTION	COUNTY	TOTAL SHEETS	SHEET NO.
317	(25)BR-2	LIVINGSTON	58	39
CONTRACT NO. 66823				
FED. ROAD DIST. NO.	ILLINOIS	FED. AID PROJECT		

FIXED BEARING DETAILS
STRUCTURE NO. 053-0188