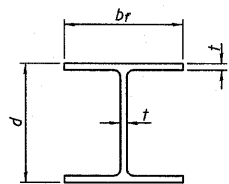
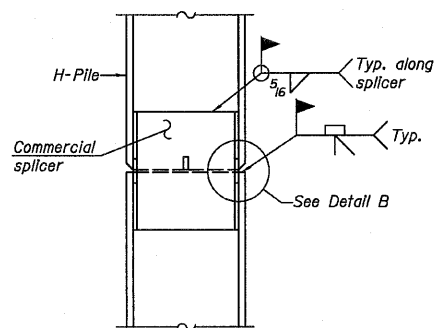


STATE OF ILLINOIS  
DEPARTMENT OF TRANSPORTATION

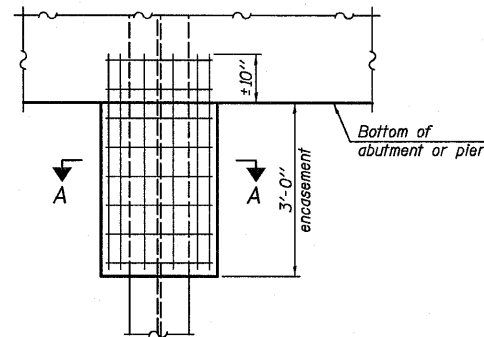


STEEL PILE TABLE

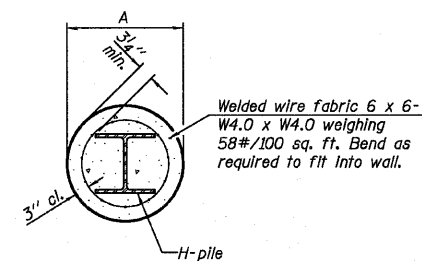
Designation	Depth d	Flange width br	Web and Flange thickness t	Encasement diameter A
HP 14x117	14 1/4"	14 7/8"	1 1/8"	30"
x102	14"	14 3/4"	1 1/8"	30"
x89	13 7/8"	14 3/4"	5/8"	30"
x73	13 5/8"	14 5/8"	1/2"	30"
HP 12x84	12 1/4"	12 1/4"	1 1/8"	24"
x74	12 1/8"	12 1/4"	5/8"	24"
x63	12"	12 1/8"	1/2"	24"
x53	11 3/4"	12"	7/16"	24"
HP 10x57	10"	10 1/4"	9/16"	24"
x42	9 3/4"	10 1/8"	7/16"	24"
HP 8x36	8"	8 1/8"	7/16"	18"



ELEVATION



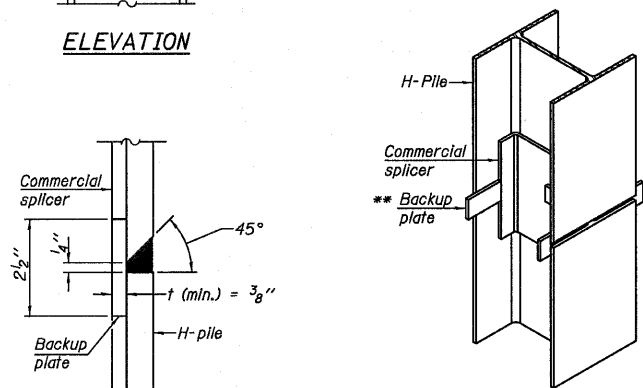
ELEVATION



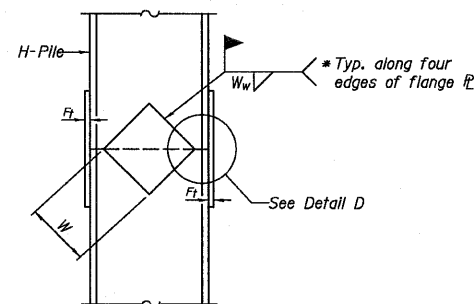
SECTION A-A

Note:  
Forms for encasement may be omitted when soil conditions permit.

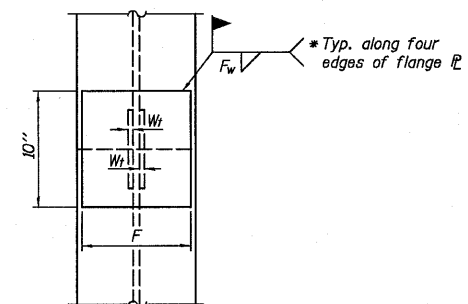
PILE ENCASEMENT



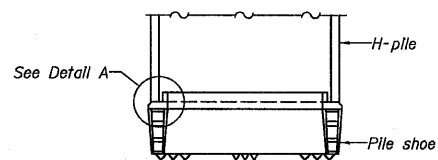
ISOMETRIC VIEW



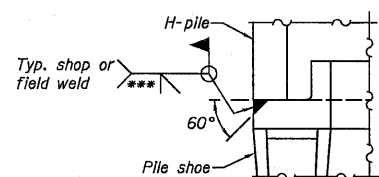
ELEVATION



END VIEW

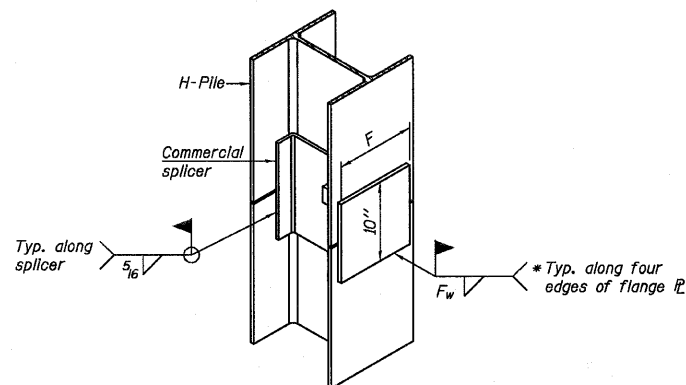


ELEVATION

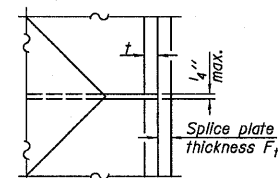


DETAIL A

H-PILE SHOE ATTACHMENT



ISOMETRIC VIEW



DETAIL D

WELDED PLATE FIELD SPLICE

Designation	F	Ft	Fw	W	Wt	Ww
HP 14x117	12 1/2"	1"	7/8"	7 3/4"	5 3/8"	1/2"
x102	12 1/2"	7/8"	3/4"	7 3/4"	5 3/8"	1/2"
x89	12 1/2"	3/4"	1/6"	7 3/4"	5 3/8"	1/2"
x73	12 1/2"	5/8"	9/16"	7 3/4"	5 3/8"	1/2"
HP 12x84	10"	7/8"	1/6"	6 1/2"	5 3/8"	1/2"
x74	10"	7/8"	1/6"	6 1/2"	5 3/8"	1/2"
x63	10"	5/8"	1/2"	6 1/2"	1/2"	3/8"
x53	10"	5/8"	1/2"	6 1/2"	1/2"	3/8"
HP 10x57	8"	3/4"	9/16"	5 1/4"	1/2"	3/8"
x42	8"	5/8"	9/16"	5 1/4"	1/2"	3/8"
HP 8x36	7"	5/8"	7/16"	4 1/4"	1/2"	3/8"

WELDED COMMERCIAL SPLICE ALTERNATE

- \* Interrupt welds 1/4" from end of web and/or each flange.
- \*\* Remove portions of backup plates that extend outside the flanges.
- \*\*\* Weld size per pile shoe manufacturer (5/16" min.).

Note:  
The steel H-piles shall be according to AASHTO M270 Grade 50.

DESIGNED SDH
CHECKED JML
DRAWN D.JM
CHECKED MSW

DATE 08/13/10

F-HP

7-1-10

HP PILE DETAILS  
STRUCTURE NO. 053-0188

<p>Farnsworth GROUP, INC. 2709 McGraw Drive Bloomington, Illinois 61704 309/663-8435, 309/663-1571 fax</p>	SHEET NO. B21	F.A.P. RTE.	SECTION	COUNTY	TOTAL SHEETS	SHEET NO.
	26 SHEETS	317	(25)BR-2	LIVINGSTON	58	44
CONTRACT NO. 66823					FED. ROAD DIST. NO. ILLINOIS FED. AID PROJECT	