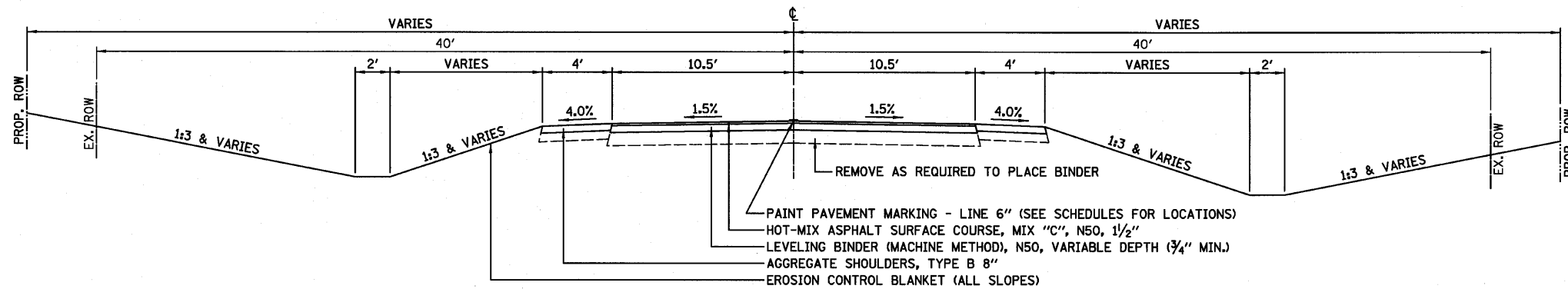
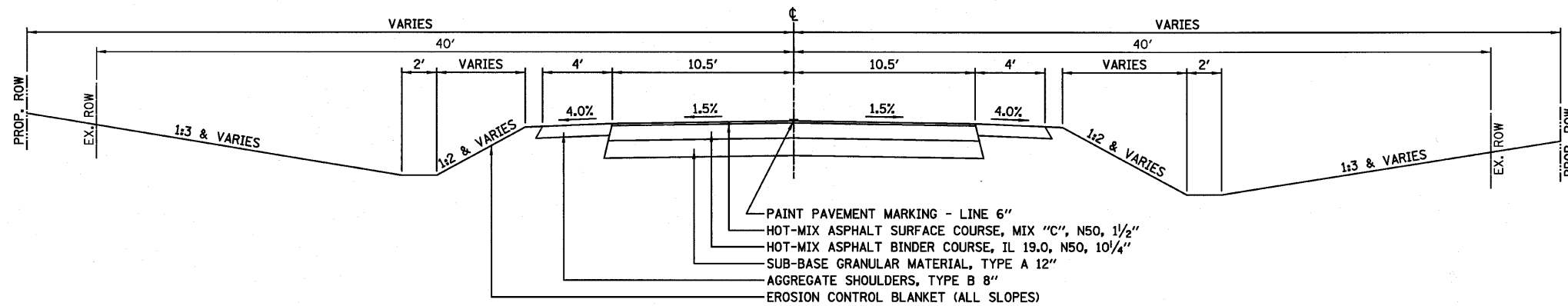


EXISTING TYPICAL CROSS SECTION
N. 1600E. ROAD



PROPOSED TYPICAL CROSS SECTION ①
N. 1600E. ROAD

STA 8+27.00 TO STA 9+33.00
STA 21+30.00 TO STA 21+48.00



PROPOSED TYPICAL CROSS SECTION ②
N. 1600E. ROAD

STA 9+33.00 TO STA 9+87.00
STA 20+13.00 TO STA 21+30.00

| | | | | | | | | | | | | |
|-------------|--------------------|-----------------|-----------|---|-------------------------|-----------|-----------|---|-----------|----------------------|------------------|--------------|
| FILE NAME = | USER NAME = *USER* | DESIGNED - JML | REVISED - | STATE OF ILLINOIS DEPARTMENT OF TRANSPORTATION | TYPICAL SECTIONS | | | F.A.P. RTE. 681 | SECTION * | COUNTY FORD/IRROUOIS | TOTAL SHEETS 146 | SHEET NO. 10 |
| *FILEL* | | DRAWN - DJM | REVISED - | | | | | SN 027-2553 | | CONTRACT NO. 66880 | | |
| | | CHECKED - MSW | REVISED - | | | | | FED. ROAD DIST. NO. ILLINOIS FED. AID PROJECT | | | | |
| | | DATE - 08/04/10 | REVISED - | | SCALE: | SHEET NO. | OF SHEETS | STA. | TO STA. | | | |