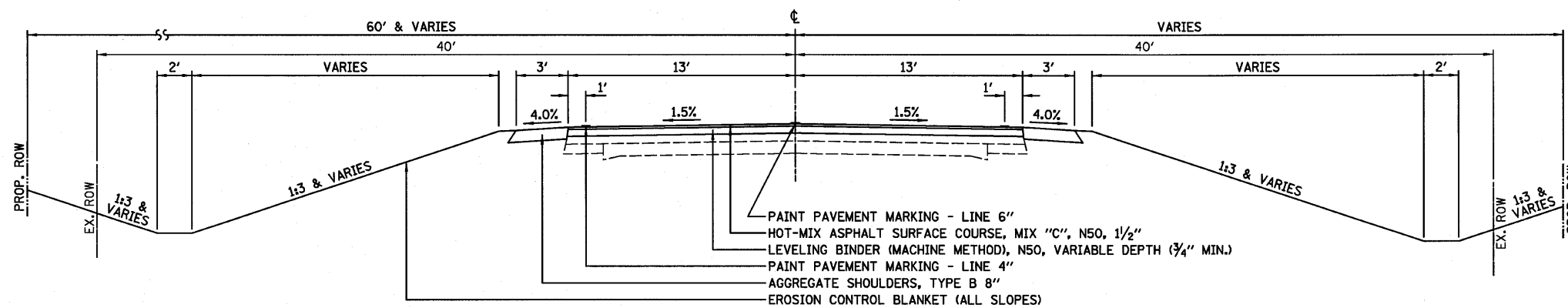


**EXISTING TYPICAL CROSS SECTION**  
F.A.P. 681 (IL116)

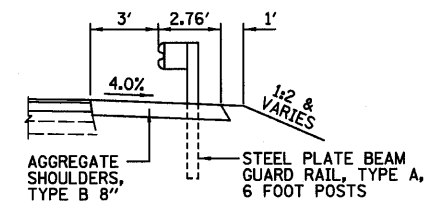


**PROPOSED TYPICAL CROSS SECTION** ①  
F.A.P. 681 (IL116)

STA 137+10.00 TO STA 140+60.50  
STA 142+30.00 TO STA 146+90.00

SEE STATE STANDARD 420401 BRIDGE  
APPROACH PAVEMENT CONNECTOR

STA 140+60.50 TO STA 140+68.68  
STA 142+21.66 TO STA 142+30.00



**DETAIL AT GUARDRAIL**

STA 137+37.66 RT TO STA 140+50.16 RT  
STA 142+46.74 RT TO STA 143+34.24 RT  
STA 139+56.09 LT TO STA 140+43.59 LT  
STA 142+52.67 LT TO STA 144+15.17 LT

FILE NAME =	USER NAME = #USER#	DESIGNED - JML	REVISED -	<b>STATE OF ILLINOIS DEPARTMENT OF TRANSPORTATION</b>	<b>TYPICAL SECTIONS</b>			F.A.P. RTE. 681	SECTION *	COUNTY FORD/IROQUOIS	TOTAL SHEETS 146	SHEET NO. 11
#FILEL#		DRAWN - DJM	REVISED -		SCALE: SHEET NO. OF SHEETS STA. TO STA.			SN 027-0100 CONTRACT NO. 66880				
		CHECKED - MSW	REVISED -		FED. ROAD DIST. NO. ILLINOIS FED. AID PROJECT							
		DATE - 08/04/10	REVISED -		* 116 BR/1116 BR, (BR-2)BR, I & BR-3J							