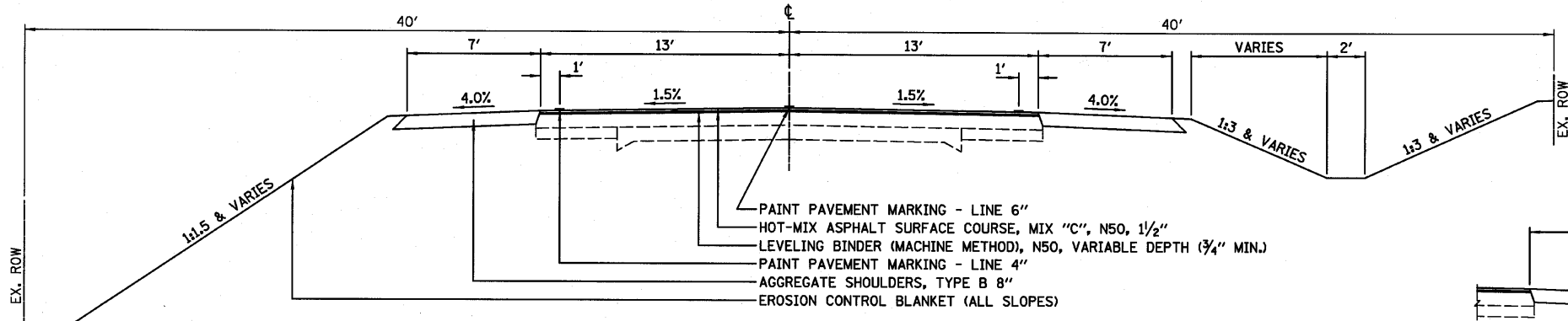
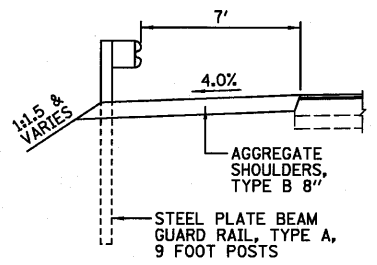


**EXISTING TYPICAL CROSS SECTION**  
F.A.P. 681 (IL116)

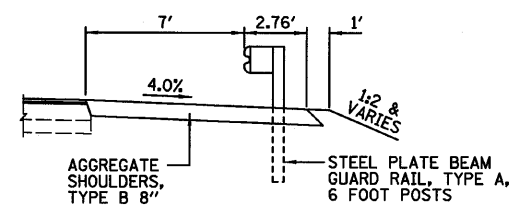


**PROPOSED TYPICAL CROSS SECTION ①**  
F.A.P. 681 (IL116)



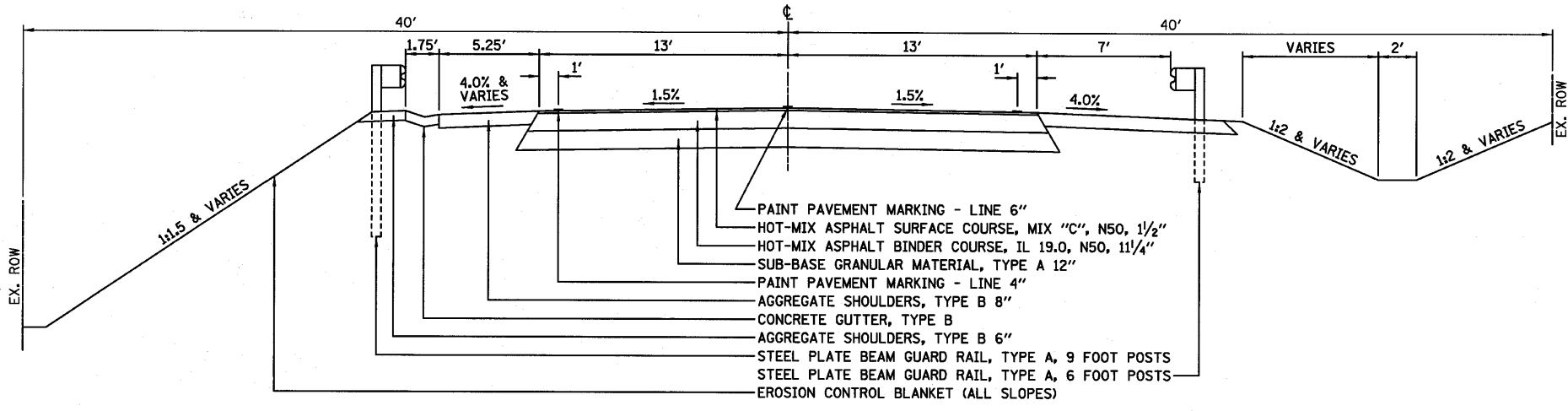
**DETAIL AT GUARDRAIL**

STA 283+25.00 TO STA 283+87.50  
STA 284+12.50 TO STA 285+37.50



**DETAIL AT GUARDRAIL**

STA 282+62.50 TO STA 283+87.50  
STA 284+12.50 TO STA 284+75.00



**PROPOSED TYPICAL CROSS SECTION ②**  
F.A.P. 681 (IL116)

STA 283+70.00 TO STA 284+30.00

FILE NAME =	USER NAME = #USER#	DESIGNED - JML	REVISED -	<b>STATE OF ILLINOIS DEPARTMENT OF TRANSPORTATION</b>	<b>TYPICAL SECTIONS</b>			F.A.P. RTE. 681	SECTION *	COUNTY FORD/IRROUOIS	TOTAL SHEETS 146	SHEET NO. 13
#FILE#		DRAWN - DJM	REVISED -					SN 038-2549			CONTRACT NO. 66880	
		CHECKED - MSW	REVISED -		SCALE:	SHEET NO. OF SHEETS	STA. TO STA.	ILLINOIS FED. AID PROJECT				
		DATE - 08/04/10	REVISED -					* 116 BR/116 BR, (BR-2)BR, I & BR-3				